

HEET 1/3

PREAMP AND LEFT & RIGHT POWER AMPS
VELOCETTE TWIN GUITAR COMBO
C000066

23 APRIL 1997
PAUL STEVENS

TRACE ELLIOT
TRACE ELLIOT LIMITED
MALDON ESSEX CM9 7GG
GREAT BRITAIN
TEL (01621) 855266
FAX (01621) 851975

!

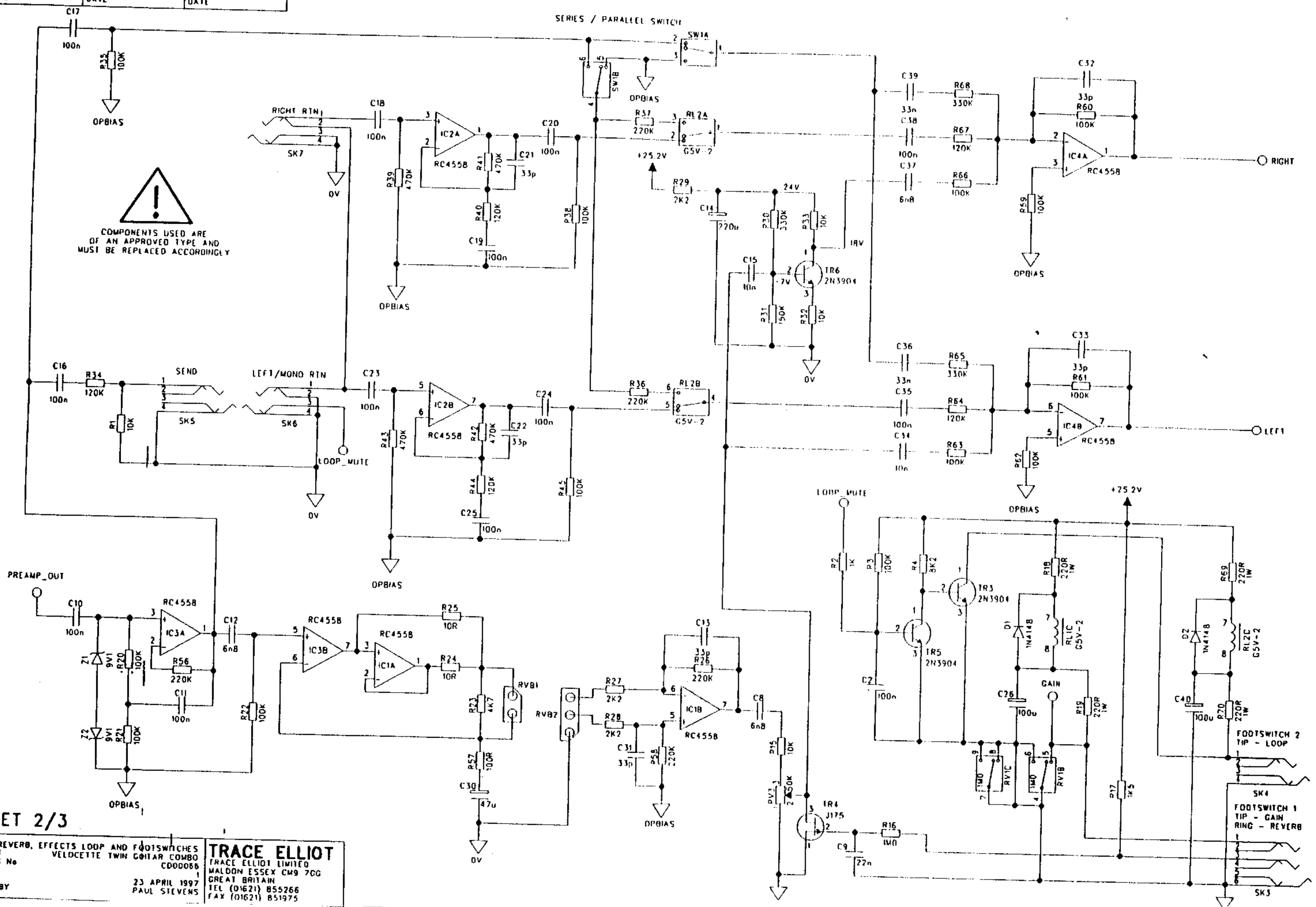
COMPONENTS USED ARE
OF AN APPROVED TYPE AND
MUST BE REPLACED ACCORDINGLY

ISSUE CHANGE NOTE DATE	ISSUE CHANGE NOTE DATE	ISSUE CHANGE NOTE DATE
ISSUE CHANGE NOTE DATE	ISSUE CHANGE NOTE DATE	ISSUE CHANGE NOTE DATE



COMPONENTS USED ARE OF AN APPROVED TYPE AND MUST BE REPLACED ACCORDINGLY

SERIES / PARALLEL SWITCH

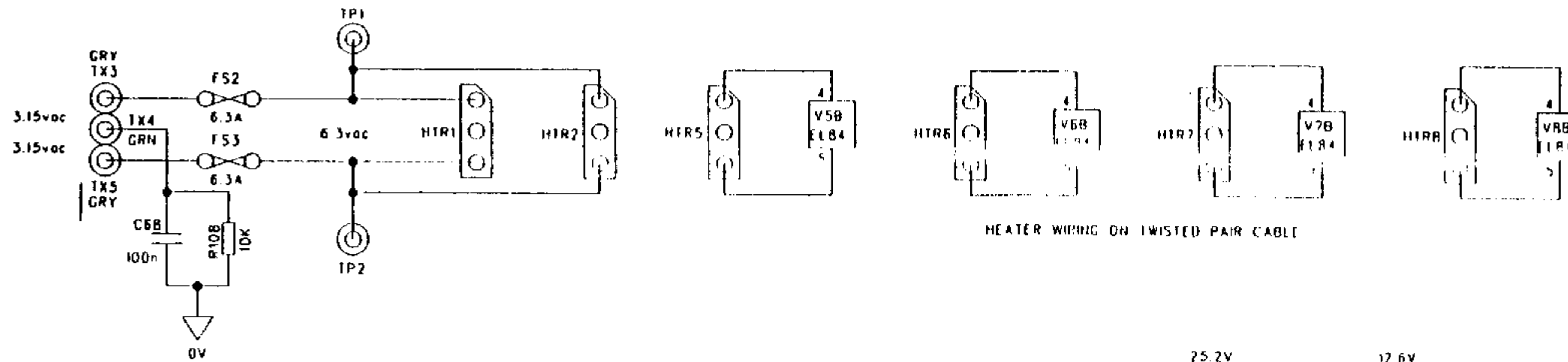
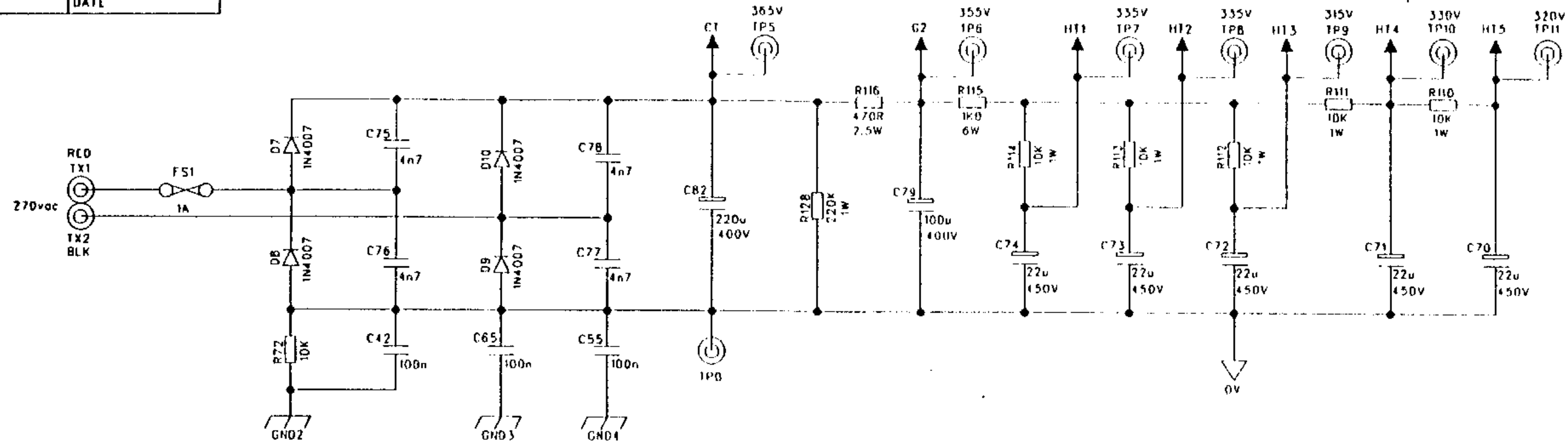


SHEET 2/3

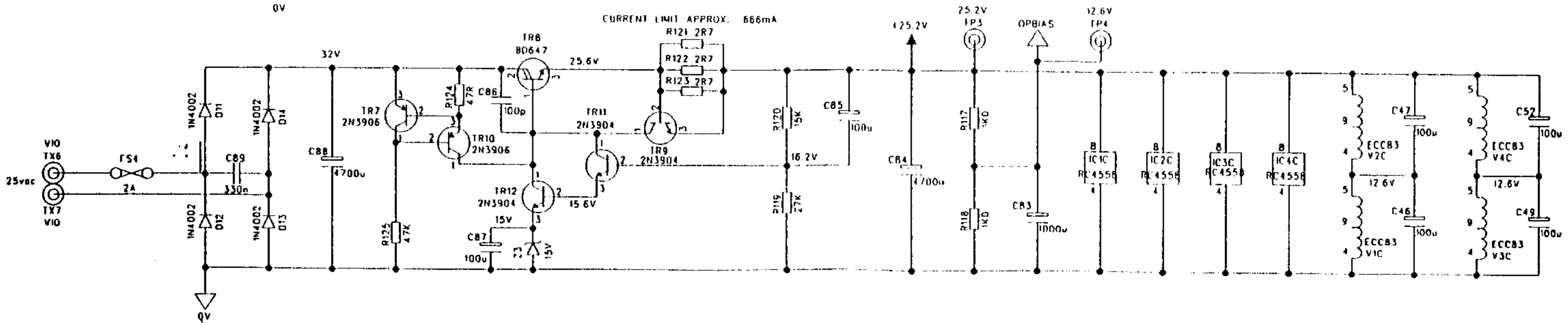
TITLE REVERB, EFFECTS LOOP AND FOOTSWITCHES
 PROJECT VELOCETTE TWIN GUITAR COMBO
 DRAWING No C000086
 ISSUE DATE 23 APRIL 1997
 DRAWN BY PAUL STEVENS

TRACE ELLIOT
 TRACE ELLIOT LIMITED
 MALDON ESSEX CM9 7GG
 GREAT BRITAIN
 TEL (01621) 855266
 FAX (01621) 851975

ISSUE CHANGE NOTE DATE	ISSUE CHANGE NOTE DATE	ISSUE CHANGE NOTE DATE
ISSUE CHANGE NOTE DATE	ISSUE CHANGE NOTE DATE	ISSUE CHANGE NOTE DATE



!
COMPONENTS USED ARE
OF AN APPROVED TYPE AND
MUST BE REPLACED ACCORDINGLY



SHEET 3/3

PROJECT: VELOCETTE TWIN GUITAR COMBO
DRAWING No: C000066
SUE
4TE
DRAWN BY: PAUL STEVENS

TRACE ELLIOT
TRACE ELLIOT LIMITED
MALDON ESSEX CM9 7GG
GREAT BRITAIN
TEL (01621) 855266
FAX (01621) 851975

23 APRIL 1997