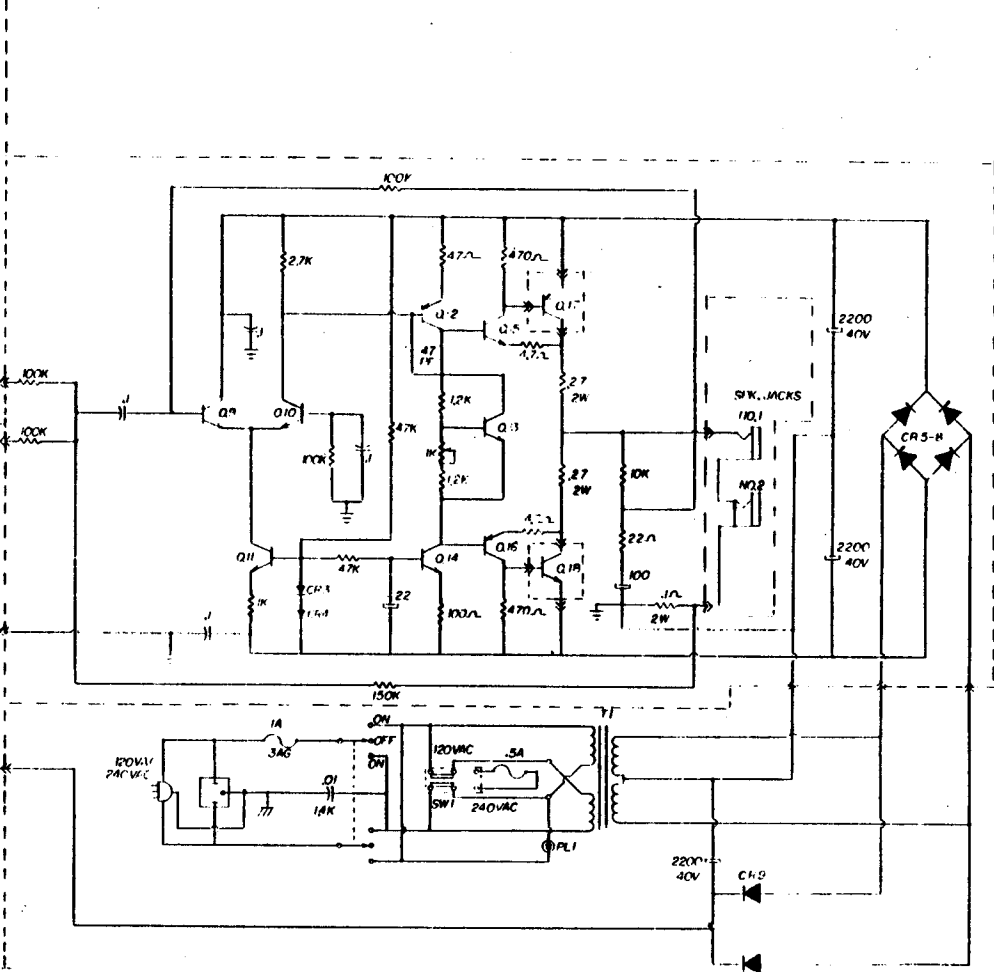
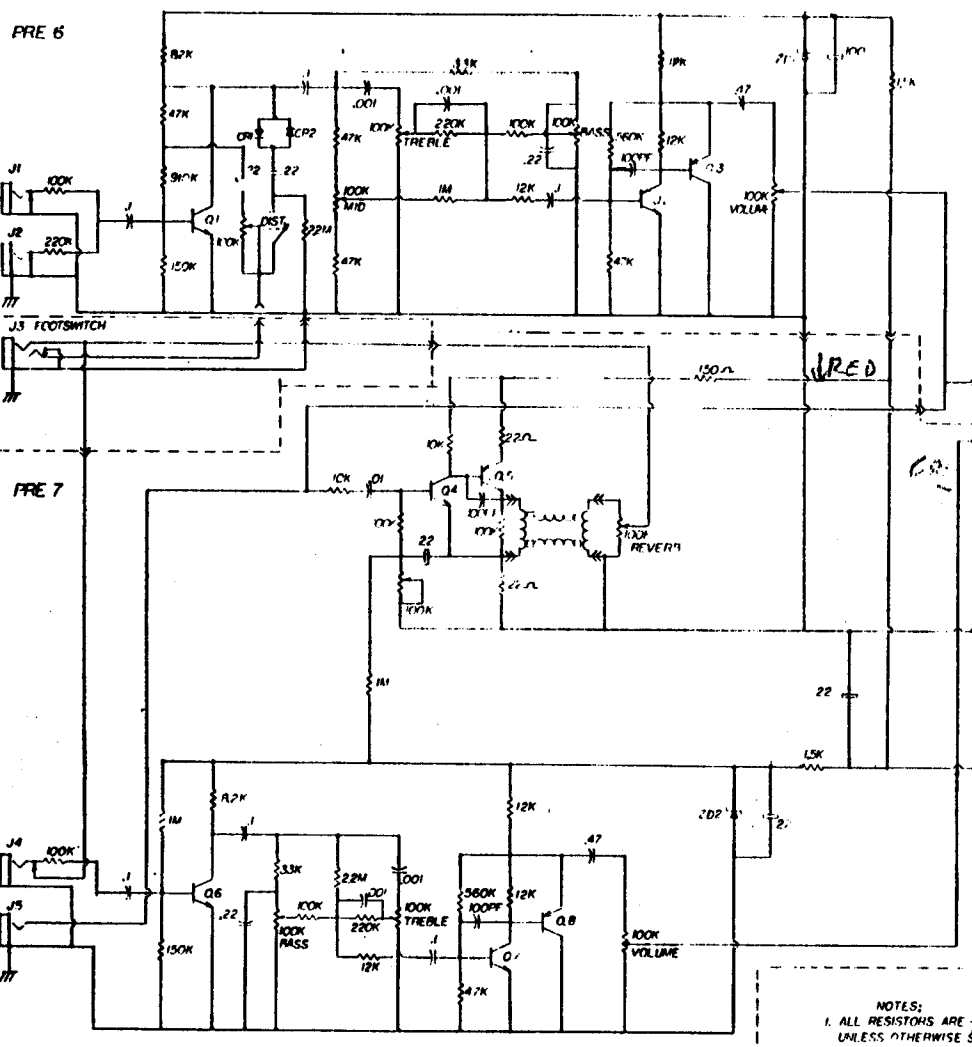


PRE 6

PRE 7



NOTES:
 1. ALL RESISTORS ARE 1/4 W UNLESS OTHERWISE STATED.
 2. ALL CAPACITORS ARE IN MFD UNLESS OTHERWISE STATED.
 3. ALL ELECTROLYTICS ARE 25V UNLESS OTHERWISE STATED.

TRANSISTORS
 Q16, Q17 MPSA18
 Q2, Q3, Q4, Q5, Q6, Q7, Q8, Q9, Q10, Q11, Q12, Q13, Q14, Q15, Q16, Q17 MJE5982
 Q8 MJE5985

DIODES
 CR1234 IN4002
 CR5678 30S1
 ZD12 1N5241R

TR 50G	
Model: TR 50G	Revision: 1.0
Date: 6-1-77	Drawn by: J. J. [unreadable]
RICKENBACKER INC.	