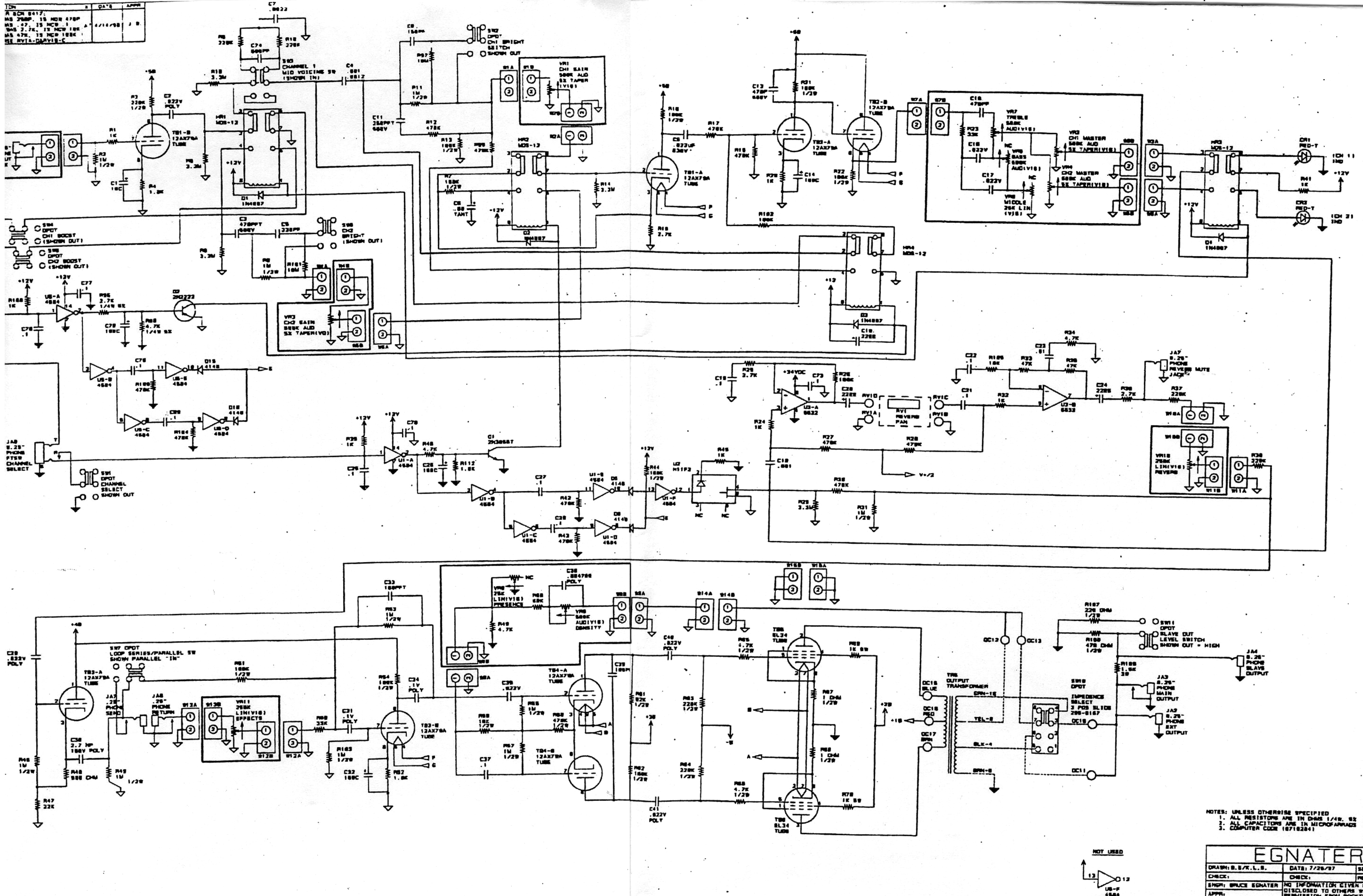


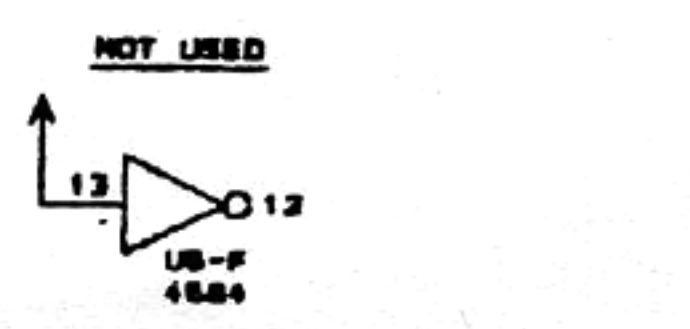
REV	DATE	APPR
1	4/14/88	J. B.
2		
3		
4		
5		



CAPACITOR VOLTAGE CHART

A	6.3V
B	6.3V
C	15V
D	25V
E	35V
F	50V
G	75V
H	100V
J	250V
K	450V
L	500V
M	600V
N	1000V

NOTES: UNLESS OTHERWISE SPECIFIED  
 1. ALL RESISTORS ARE IN OHMS UNLESS OTHERWISE SPECIFIED  
 2. ALL CAPACITORS ARE IN MICROFARADS  
 3. COMPUTER CODE 187182841



<b>EGNATER</b>		
DRAWN: B.S.K.L.S.	DATE: 7/26/87	SCALE: N.T.S.
CHECK:	CHKD:	REVISED: 4/14/88
ENGR: BRUCE SCHWARTZ	NO INFORMATION GIVEN HEREIN MAY BE DISCLOSED TO OTHERS WITHOUT PERMISSION FROM ROCKTRON CORPORATION	
EGNATER 50W ELECTRONICS		DRAWING NUMBER 071-0284 SHEET 1 OF 2

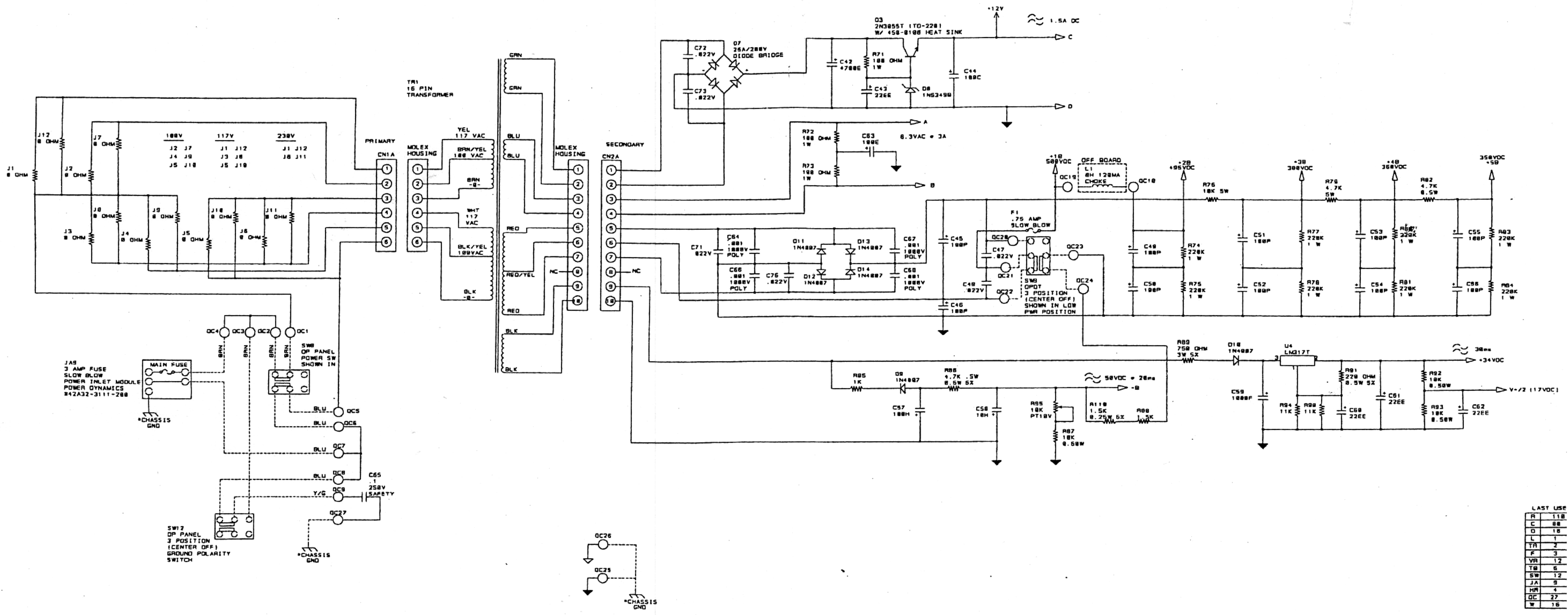


REVISION  
 ECN 0387  
 CIO IS NOW NP

DATE  
 2/13/98

APPR

POWER SUPPLY AND PREAMP PCB



LAST USE

R	118
C	88
O	18
L	1
TR	2
F	3
YR	12
TR	6
SW	12
JA	8
HR	4
OC	27
W	18

CAPACITOR VOLTAGE CHAR

AA	5.5V
A	8.3V
B	18V
C	16V
D	25V
E	35V
EE	50V
F	63V
G	80V
H	100V
M	250V
P	350V
S	450V
T	500V
V	530V
Z	1000V

NOTES: UNLESS OTHERWISE SPECIFIED  
 1. ALL RESISTORS ARE IN OHMS 1/4W.  
 2. ALL CAPACITORS ARE IN MICROFARADS  
 3. COMPUTER CODE 1A7102041

ROCKTRON CORPORATION

DRAWN: B.E./K.L.S. DATE: 7/25/97 SCALE: N.T.S.  
 CHECK: NO INFORMATION GIVEN HEREIN MAY BE DISCLOSED TO OTHERS WITHOUT PERMISSION FROM ROCKTRON CORPORATION  
 ENGR: REVISION: 18/28/97  
 APPR: PERMISSION FROM ROCKTRON CORPORATION

EGNATER AMP POWER SUPPLY 071-0284 SHEET 2 OF 2