

1. ALL RESISTORS IN OHMS. ALL RESISTORS 0.25V UNLESS MARKED OTHERWISE.
2. ALL CAPACITORS IN MICROFARADS UNLESS OTHER PREFIX MARKED. THEN REPLACE PREFIX (PREFIX IN UNIT MICROFARAD) WITH MARKED PREFIX. ALL CAPACITORS 25V UNIFORM VOLTAGE RATING UNLESS MARKED OTHERWISE.
3. ALL VOLTAGES IN VOLTS.
4. ALL POTENTIOMETERS, R99 TO R112, 100K.
5. DIODES, D1 TO D8, 1N4158, 1N4148, OR 1N914.
6. ZENER DIODE, D15, 1N5244/3741V.
7. TRANSISTORS Q1, Q3, Q16, 2N5088 (PNP TYPE).
8. TRANSISTORS Q2, Q18, Q20, Q23, MPS336 (PNP TYPE).
9. TRANSISTORS Q17, Q19, Q21, Q22, 2N5086 (PNP TYPE).
10. IC'S Q4 TO Q11, LM4558N.
11. IC Q12, M53007.
12. IC Q13, M53101.
13. IC'S Q14, Q15, CD4066.
14. LAST REFERENCED DESIGNATION ON SCHEMATIC: R146, C56, Q23, D15, S5, J10, P12.

CHDS SWITCH ASSIGNMENT

	SIGNAL	I.C.#	INPUT	CONTROL (#?)
CH1 (Q17)	A1		4	5
	A2	Q14	8	6
	A3		1	13
CH2 (Q19)	B1		4	5
	B2	Q15	11	12
	B3		8	6
CHORUS (Q21)	C	Q15	1	13
REVERB (Q22)	D	Q14	11	12

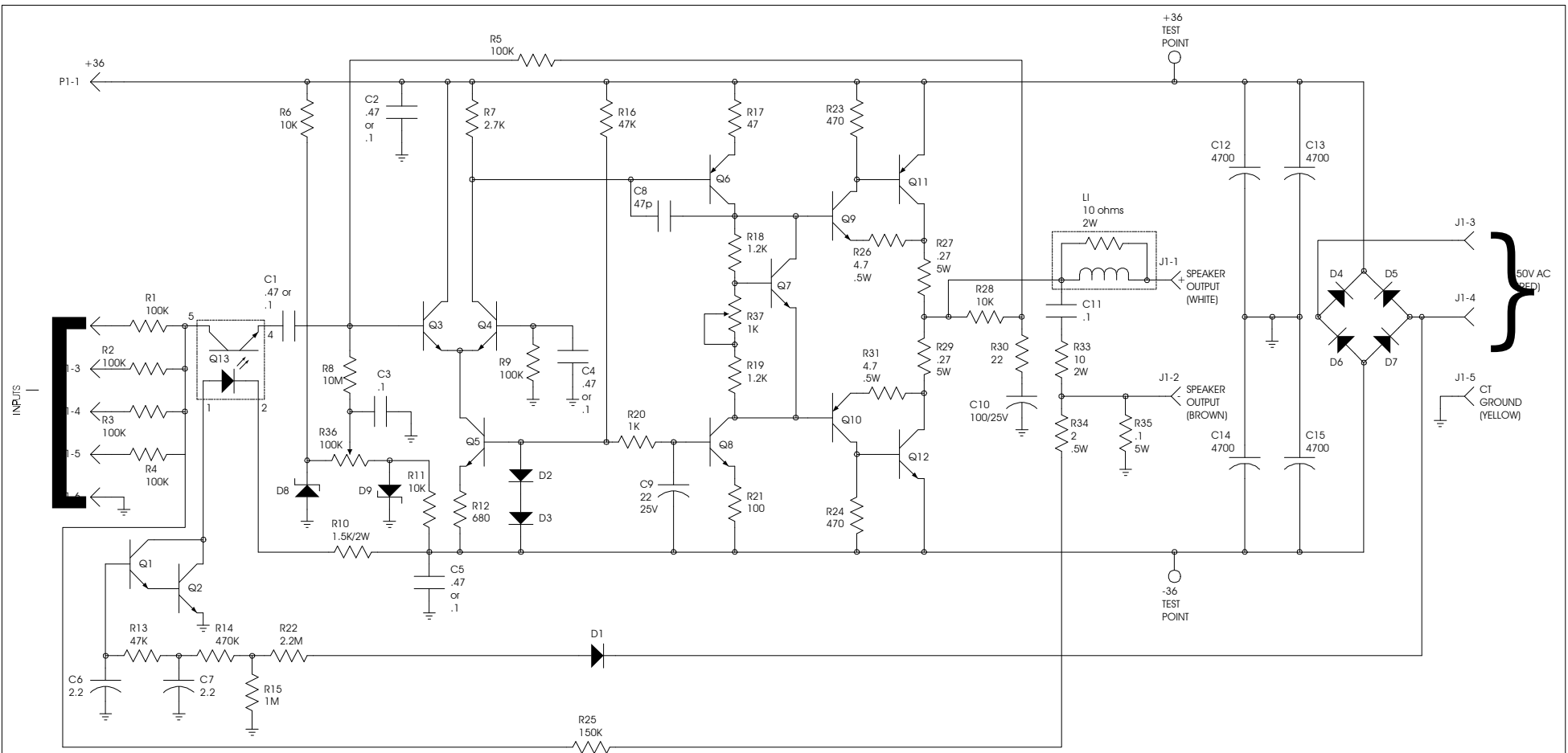
ALL OUTPUTS GROUNDED. OUTPUT PINS 2, 3, 9, AND 10.

**RIC**

Rickenbacker International Corp.  
3895 S. Main Street  
Santa Ana, Ca. 92707  
Tel: 714-545-5574 Fax: 714-754-0135

SCHEMATIC, PREAMP RG90, RG180

SCALE	NA	CHECKED BY	DRAWN BY
DATE	1/16/89	K. MASCARENHAS	J. HALL
SIZE	B	DRAWING NO 19328	



1. ALL RESISTORS IN OHMS. ALL RESISTORS 0.5W UNLESS MARKED OTHERWISE.
2. ALL CAPACITORS IN MICROFARADS UNLESS OTHER PREFIX MARKED, THEN REPLACE PREFIX (MICRO) IN UNIT (MICROFARAD) WITH MARKED PREFIX. ALL CAPACITORS 25V (MINIMUM VOLTAGE RATING) UNLESS MARKED OTHERWISE.
3. ALL VOLTAGES IN VOLTS.
4. TRANSISTORS Q1, Q2: 2N5086.
5. TRANSISTORS Q3, Q4: MPSA18.
6. TRANSISTORS Q5, Q8: MPSA06.
7. TRANSISTOR Q6: MPSA56.
8. TRANSISTOR Q7: 2N5088.
9. TRANSISTOR Q9: MPSU06.
10. TRANSISTOR Q10: MPSU56.
11. TRANSISTOR Q11: TIF36C.
12. TRANSISTOR Q12: TIF35C.

13. IC Q13: 4N28.
14. DIODE D1: 1N4148.
15. DIODES D2, D3: 1N4002.
16. DIODES D4, D5, D6, D7: 1N5401.
17. ZENER DIODES D8, D9: 1N5244B.
18. PARTS NOT USED IN MODELS RG60 AND RB60: C13, C15.
19. LABEL(S) NOT USED: R32.
20. LAST REFERENCED DESIGNATION ON SCHEMATIC: R37, C15, D9, Q13, L1, P1, J1.

**RIC** Rickenbacker International Corp.  
 3895 S. Main Street  
 Santa Ana, Ca. 92707  
 Tel: 714-545-5574 Fax: 714-754-0135

**SCHEMATIC, POWER AMP RG90, RG60, RB60**

SCALE	NA	CHECKED BY	DRAWN BY
DATE	3/1/89	J. HALL	K. MASCARENHAS
SIZE	DRAWING NO		19334
B			