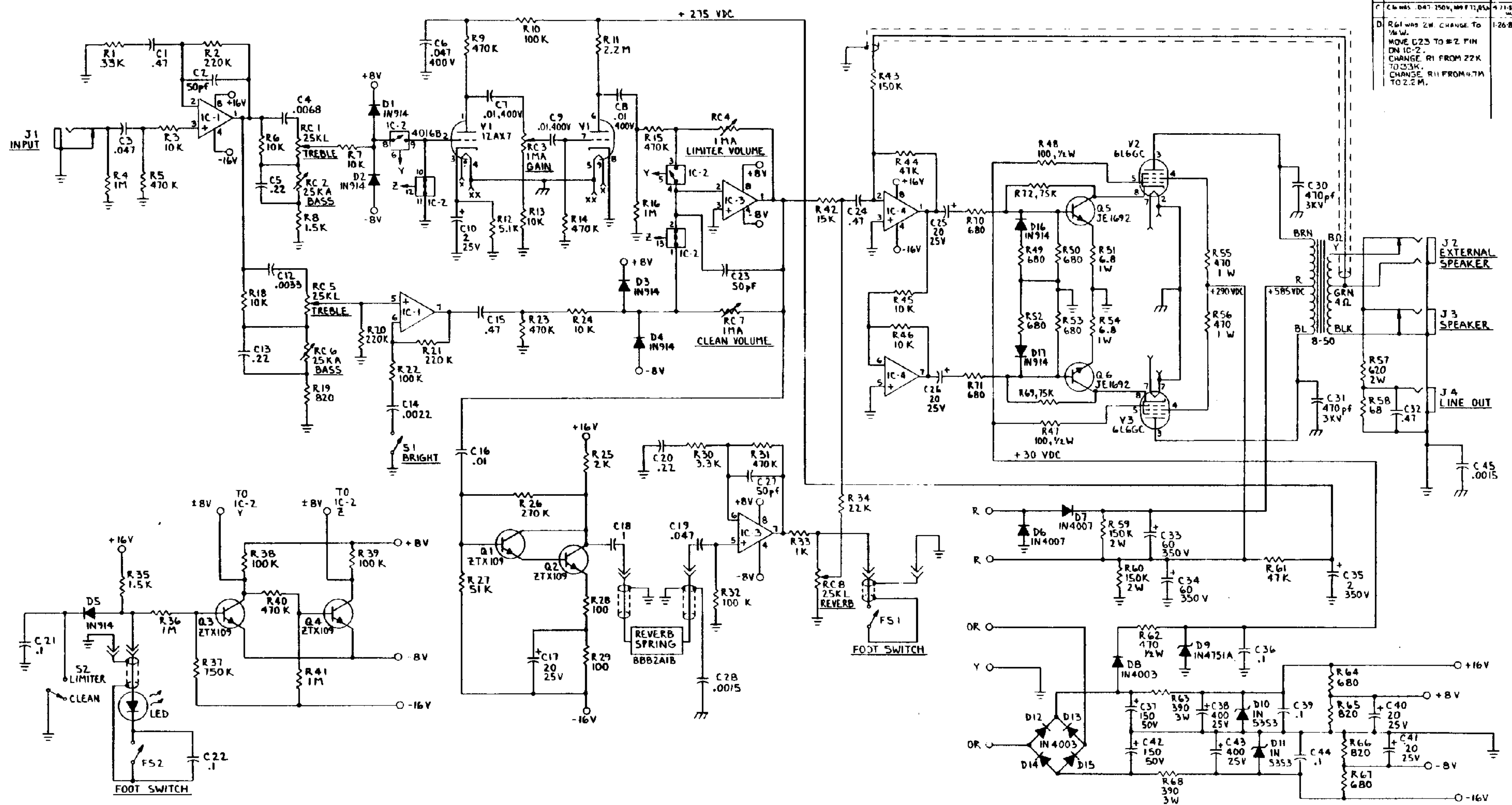
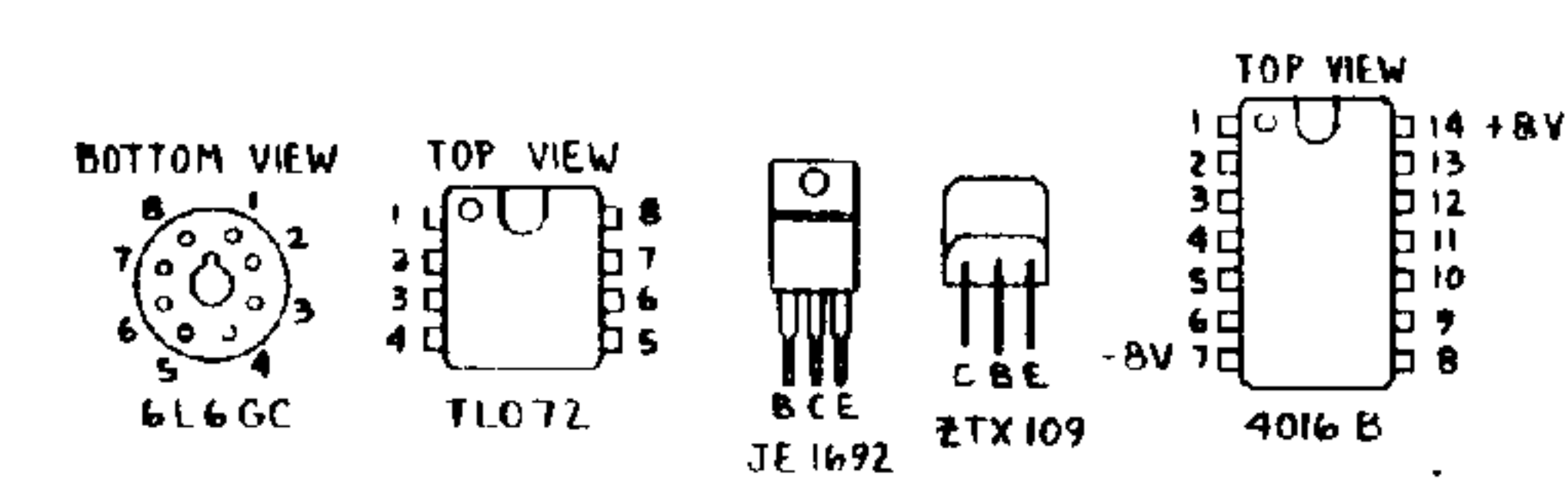


REVISION	DATE
A. REPAIR INTER-TONE FREQUENCY DIVIDER SECTION - FOR "MPS" CONDITION SEE 5004 NE	11-11-80
B. ADD C 45; 0.0015 MFD 50V	1-30-81
C. C6 WAS .047 250V, NOW 1.5K	4-11-81
D. R4 WAS 2W. CHANGE TO 1W. MOVE C23 TO #2 PIN ON IC-2. CHANGE R1 FROM 22K TO 20.3K. CHANGE R11 FROM 4.7M TO 2.2M.	1-26-82



5. +8V & -8V ARE NOMINAL; ACTUAL VOLTAGE MAY VARY ±1.5 VOLTS.
 4. IC-2 IS 4016B.
 3. IC'S 1,3,&4 ARE TLO72.
 2. ALL CAPACITANCE VALUES ARE IN MICROFARADS (μF) EXCEPT WHERE NOTED.
 NOTE: 1. ALL RESISTANCE VALUES ARE IN OHMS (Ω), 1/2 WATT, EXCEPT WHERE NOTED.



DRAWN C. BROS 3-1-82	MUSIC MAN INC. ANAHEIM, CA.
CHECKED T. WALKER	RD-50 AMPLIFIER SCHEMATIC DIAGRAM
DESIGNED T. WALKER	RD-50B BOARD
APPROVED M.W.	SCALE DWG. NO. 5004
	SHEET 1 OF 1 REV. D