
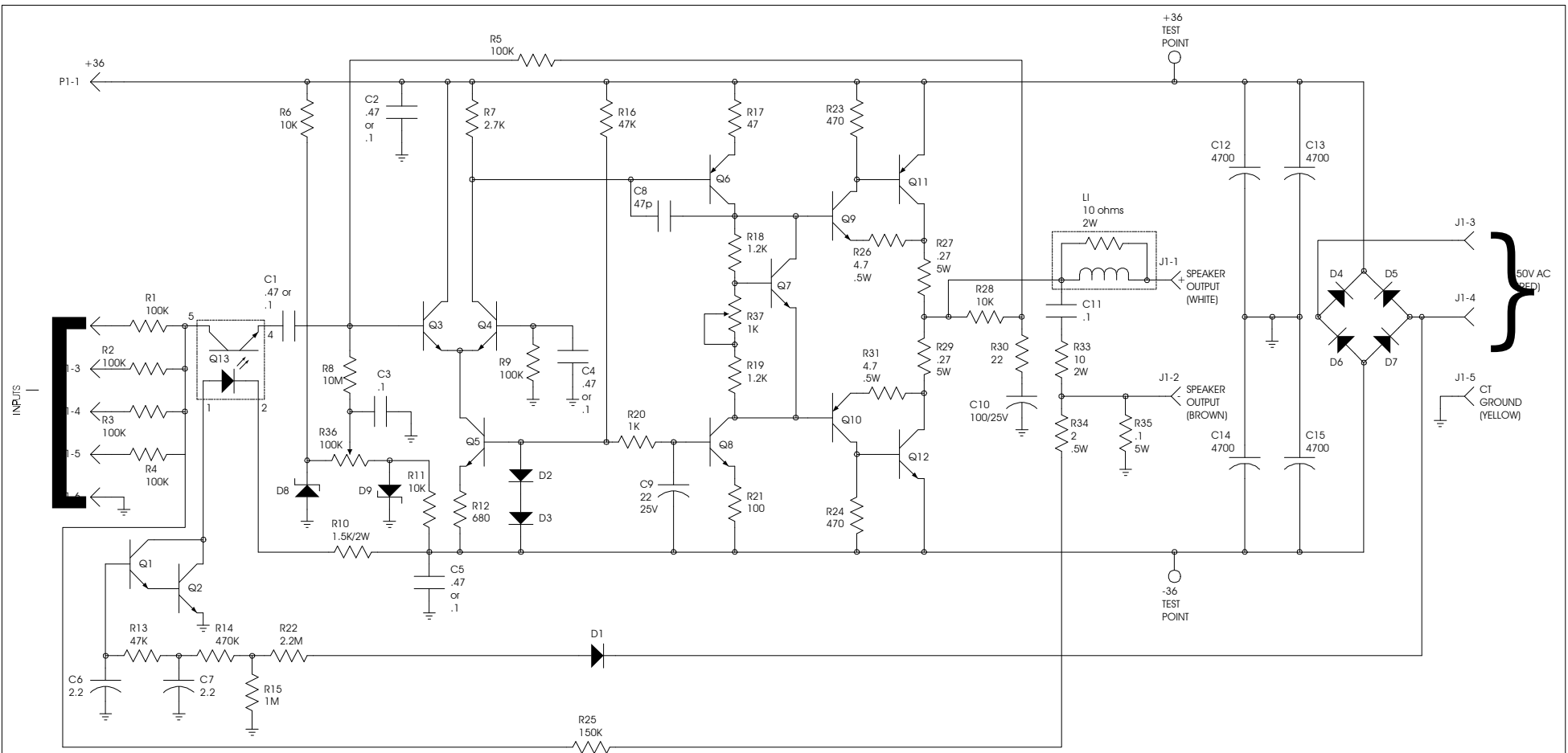


1. ALL RESISTORS IN OHMS AND 0.5W.
2. ALL CAPACITORS IN MICROFARADS UNLESS OTHER PREFIX MARKED, THEN REPLACE PREFIX (MICRO) IN UNIT (MICROFARAD) WITH MARKED PREFIX. ALL CAPACITORS 25V (MINIMUM VOLTAGE RATING) UNLESS MARKED OTHERWISE.
3. ALL VOLTAGES IN VOLTS.
4. ALL POTS, R19 TO R22, 100KB.
5. TRANSISTOR Q1: MPSA13.
6. TRANSISTOR Q2: 2N5088.
7. TRANSISTOR Q3: 2N5086.
8. ZENER DIODE D1: 1N5244B.
9. LAST REFERENCED DESIGNATION ON SCHEMATIC:
R22, C10, Q3, D1, J4, P3.

		Rickenbacker International Corp. 3895 S. Main Street Santa Ana, Ca. 92707 Tel: 714-545-5574 Fax: 714-754-0135	
		SCHEMATIC, PREAMP RB30, RB60, AND RB120	
SCALE	NA	CHECKED BY	DRAWN BY
DATE	3/8/89	J. HALL	K. MASCARENHAS
SIZE	B	DRAWING NO 19326	



1. ALL RESISTORS IN OHMS. ALL RESISTORS 0.5W UNLESS MARKED OTHERWISE.
2. ALL CAPACITORS IN MICROFARADS UNLESS OTHER PREFIX MARKED, THEN REPLACE PREFIX (MICRO) IN UNIT (MICROFARAD) WITH MARKED PREFIX. ALL CAPACITORS 25V (MINIMUM VOLTAGE RATING) UNLESS MARKED OTHERWISE.
3. ALL VOLTAGES IN VOLTS.
4. TRANSISTORS Q1, Q2: 2N5086.
5. TRANSISTORS Q3, Q4: MPSA18.
6. TRANSISTORS Q5, Q8: MPSA06.
7. TRANSISTOR Q6: MPSA56.
8. TRANSISTOR Q7: 2N5088.
9. TRANSISTOR Q9: MPSU06.
10. TRANSISTOR Q10: MPSU56.
11. TRANSISTOR Q11: TIF36C.
12. TRANSISTOR Q12: TIF35C.

13. IC Q13: 4N28.
14. DIODE D1: 1N4148.
15. DIODES D2, D3: 1N4002.
16. DIODES D4, D5, D6, D7: 1N5401.
17. ZENER DIODES D8, D9: 1N5244B.
18. PARTS NOT USED IN MODELS RG60 AND RB60: C13, C15.
19. LABEL(S) NOT USED: R32.
20. LAST REFERENCED DESIGNATION ON SCHEMATIC: R37, C15, D9, Q13, L1, P1, J1.

RIC

Rickenbacker International Corp.
3895 S. Main Street
Santa Ana, Ca. 92707
Tel: 714-545-5574 Fax: 714-754-0135

SCHEMATIC, POWER AMP RG90, RG60, RB60

SCALE	NA	CHECKED BY	J. HALL	DRAWN BY	K. MASCARENHAS
DATE	3/1/89				
SIZE	B			DRAWING NO	19334