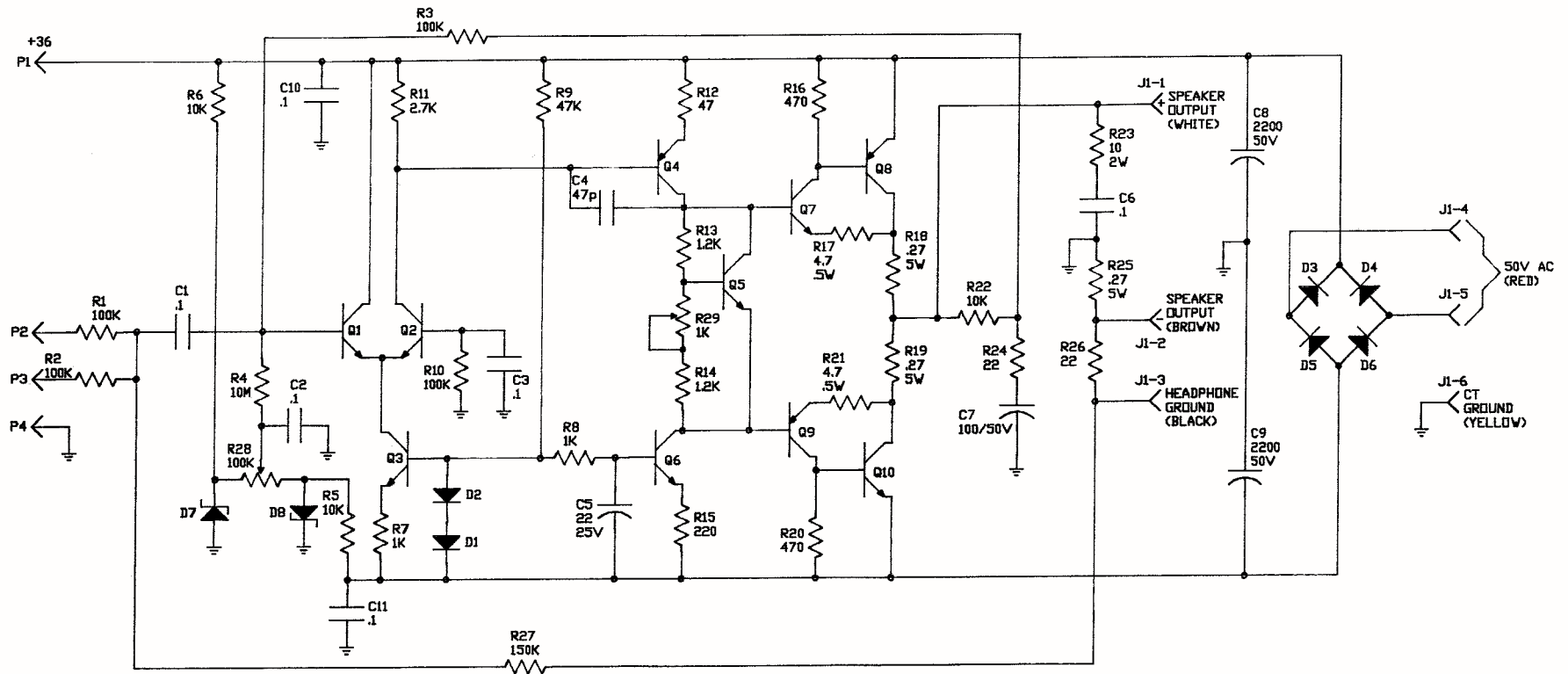


1. ALL RESISTORS IN OHMS AND 0.5W.
2. ALL CAPACITORS IN MICROFARADS UNLESS OTHER PREFIX MARKED, THEN REPLACE PREFIX (MICRO) IN UNIT (MICROFARAD) WITH MARKED PREFIX. ALL CAPACITORS 25V (MINIMUM VOLTAGE RATING) UNLESS MARKED OTHERWISE.
3. ALL VOLTAGES IN VOLTS.
4. ALL POTS, R19 TO R22, 100KB.
5. TRANSISTOR Q1: MPSA13.
6. TRANSISTOR Q2: 2N5088.
7. TRANSISTOR Q3: 2N5086.
8. ZENER DIODE D1: 1N5244B.
9. LAST REFERENCED DESIGNATION ON SCHEMATIC:  
R22, C10, Q3, D1, J4, P3.

<b>RIC</b>		Rickenbacker International Corp.	
		3895 S. Main Street Santa Ana, Ca. 92707 Tel: 714-545-5574 Fax: 714-754-0135	
SCHEMATIC, PREAMP RB30, RB60, AND RB120			
SCALE	NA	CHECKED BY	DRAWN BY
DATE	3/8/89	J. HALL	K. MASCARENHAS
SIZE	B	DRAWING NO 19326	



1. ALL RESISTORS IN OHMS. ALL RESISTORS 0.5W UNLESS MARKED OTHERWISE.
2. ALL CAPACITORS IN MICROFARADS UNLESS OTHER PREFIX MARKED, THEN REPLACE PREFIX (MICRO) IN UNIT (MICROFARAD) WITH MARKED PREFIX. ALL CAPACITORS 25V (MINIMUM VOLTAGE RATING) UNLESS MARKED OTHERWISE.
3. ALL VOLTAGES IN VOLTS.
4. TRANSISTORS Q1, Q2: MPSA18.
5. TRANSISTORS Q3, Q6: MPSA06.
6. TRANSISTOR Q4: MPSA56.
7. TRANSISTOR Q5: 2N5088.
8. TRANSISTOR Q7: NS1006.
9. TRANSISTOR Q8: TIP42B.
10. TRANSISTOR Q9: MPSU56.
11. TRANSISTOR Q10: TIP41B.
12. DIODES D1, D2: 1N4002.

13. DIODES D3, D4, D5, D6: 1N5401.
14. ZENER DIODES D7, D8: 1N5244B.
15. LAST REFERENCED DESIGNATION ON SCHEMATIC: R29, C11, Q10, D8, P4, J1.

**RIC**

Rickenbacker International Corp.  
3895 S. Main Street  
Santa Ana, Ca. 92707  
Tel: 714-545-5574 Fax: 714-754-0135

SCHEMATIC, POWER AMP RG15, RG30, RB30

SCALE	NA	CHECKED BY	DRAWN BY
DATE	3/1/89	J. HALL	K. MASCARENHAS
SIZE	B	DRAWING NO	19325