

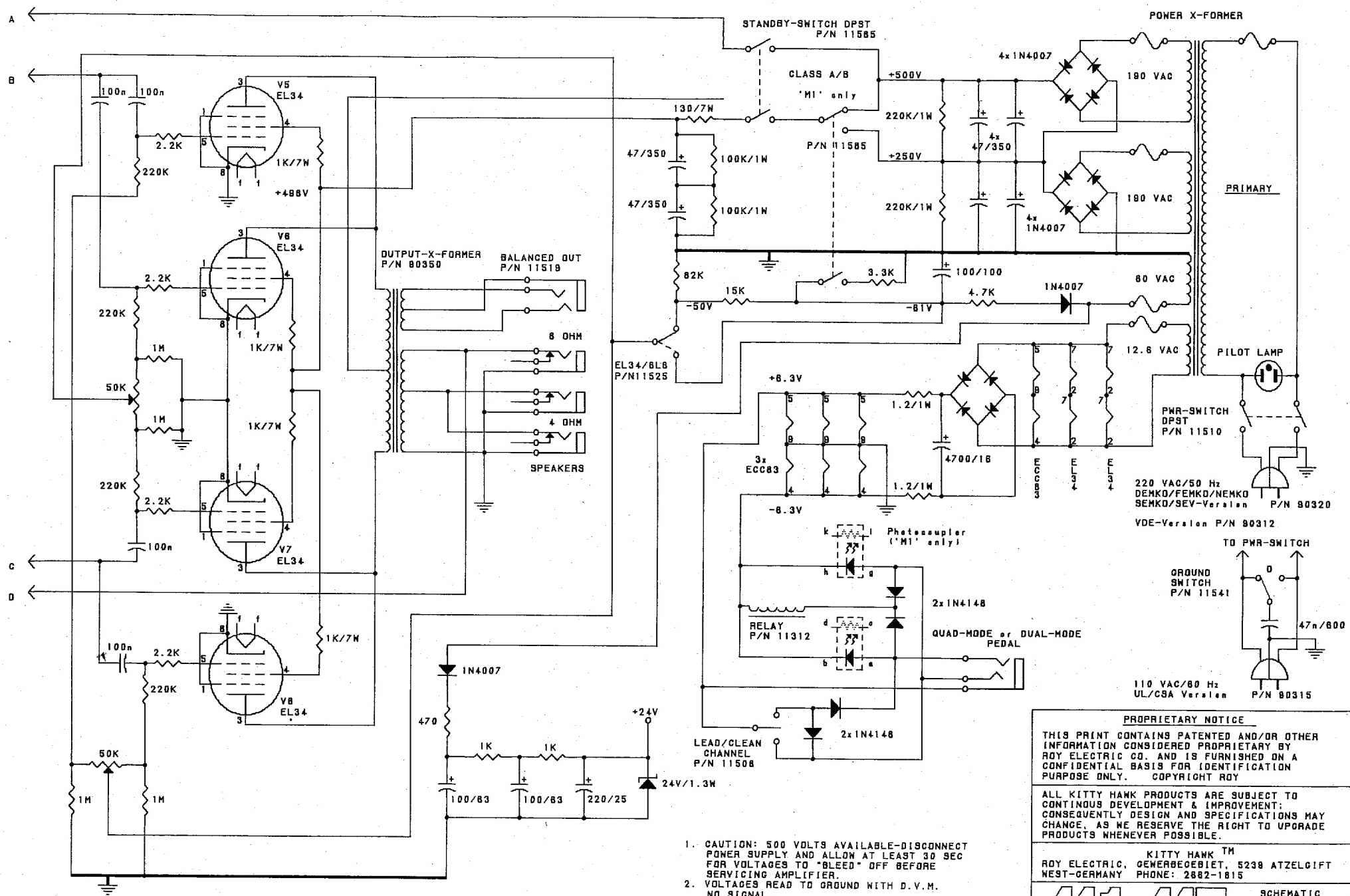
1. VOLTAGES READ TO GROUND WITH D.V.M. NO SIGNAL.
2. ALL RESISTORS 0.5 WATT +/-5% TOL. AND ALL CAPACITORS IN MF AND AT LEAST 400 V EXCEPT AS NOTED.

PROPRIETARY NOTICE
 THIS PRINT CONTAINS PATENTED AND/OR OTHER INFORMATION CONSIDERED PROPRIETARY BY ROY ELECTRIC CO. AND IS FURNISHED ON A CONFIDENTIAL BASIS FOR IDENTIFICATION PURPOSE ONLY. COPYRIGHT ROY

ALL KITTY HAWK PRODUCTS ARE SUBJECT TO CONTINUOUS DEVELOPMENT & IMPROVEMENT; CONSEQUENTLY DESIGN AND SPECIFICATIONS MAY CHANGE, AS WE RESERVE THE RIGHT TO UPGRADE PRODUCTS WHENEVER POSSIBLE.

KITTY HAWK™
 ROY ELECTRIC, GEBIRGSBEBIET, S238 ATZELGIFT
 WEST-GERMANY PHONE: 2662-1815

M1		SCHEMATIC	
Size 6	Part No. 80505	DATE July 1987	REV A



1. CAUTION: 500 VOLTS AVAILABLE-DISCONNECT POWER SUPPLY AND ALLOW AT LEAST 30 SEC FOR VOLTAGES TO "BLEED" OFF BEFORE SERVICING AMPLIFIER.
2. VOLTAGES READ TO GROUND WITH D.V.M. NO SIGNAL.
3. ALL RESISTORS 0.5 WATT +/-5% TOL. AND ALL CAPACITORS IN MF AND AT LEAST 400 V EXCEPT AS NOTED.

PROPRIETARY NOTICE
 THIS PRINT CONTAINS PATENTED AND/OR OTHER INFORMATION CONSIDERED PROPRIETARY BY ROY ELECTRIC CO. AND IS FURNISHED ON A CONFIDENTIAL BASIS FOR IDENTIFICATION PURPOSE ONLY. COPYRIGHT ROY

ALL KITTY HAWK PRODUCTS ARE SUBJECT TO CONTINUOUS DEVELOPMENT & IMPROVEMENT; CONSEQUENTLY DESIGN AND SPECIFICATIONS MAY CHANGE, AS WE RESERVE THE RIGHT TO UPGRADE PRODUCTS WHENEVER POSSIBLE.

KITTY HAWK TM
 ROY ELECTRIC, GEMBERGEBIET, 5238 ATZELGIFT
 WEST-GERMANY PHONE: 2882-1815

M1 & M3		SCHEMATIC POWER-AMPLIFIER 100 WATT	