

1. INTRODUCTION

This document contains the technical service information for the MusiMan HD-500 Bass Amplifier. (Edition 1).

All HD-500 amplifiers feature the following:

- 2 input (IN1 and IN2) with sensibility difference of 10 dB;
- Tube Gain Stage (45dB)
- Variable Direct XLR Output (selectable pre or post EQ)
- Send/Return Effects Loop
- Tuner Output
- Switchable Mute (of Power output and Direct output)
- Two EQ channels Bass 100Hz, Middle 400 Hz, Mid/High 800 Hz, Treble 12.5KHz)
- Loudspeaker Varying Response (LVR)
- Master Volume
- Limiter with selectable release time (Min, Max)

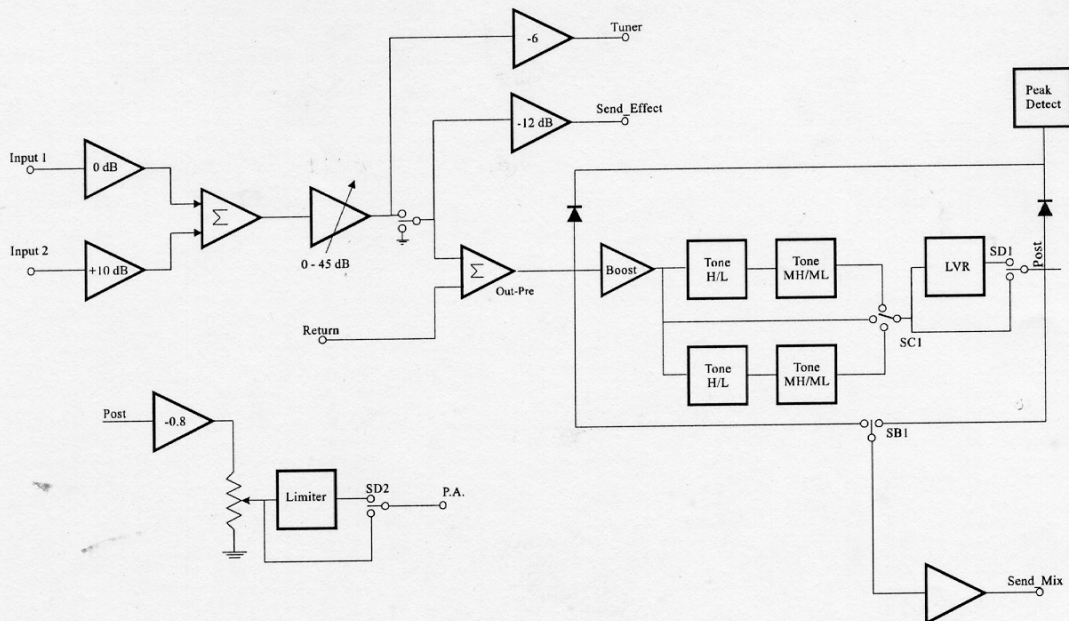


Figure 1 – Block Diagram

3. SCHEMATICS

In the following pages the schematics diagrams of the product are drawn.

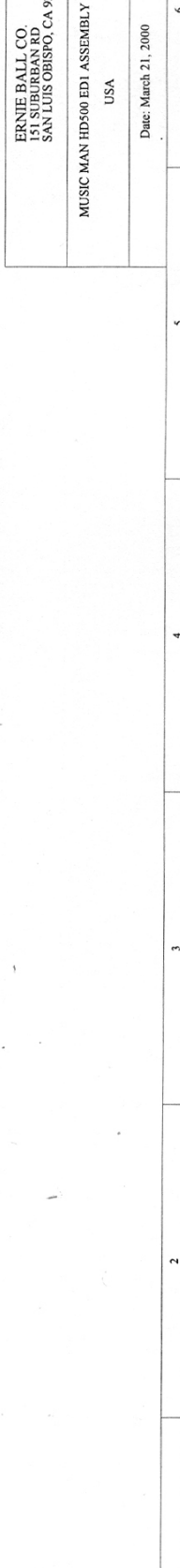
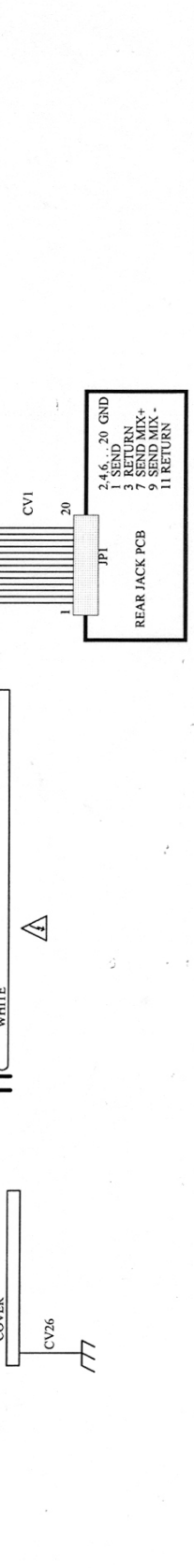
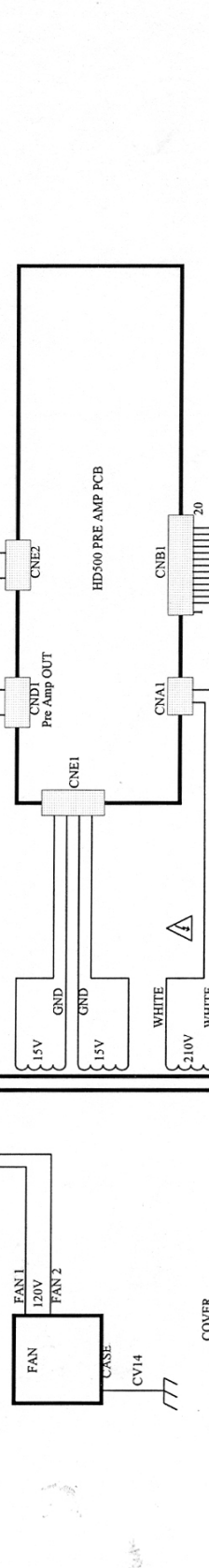
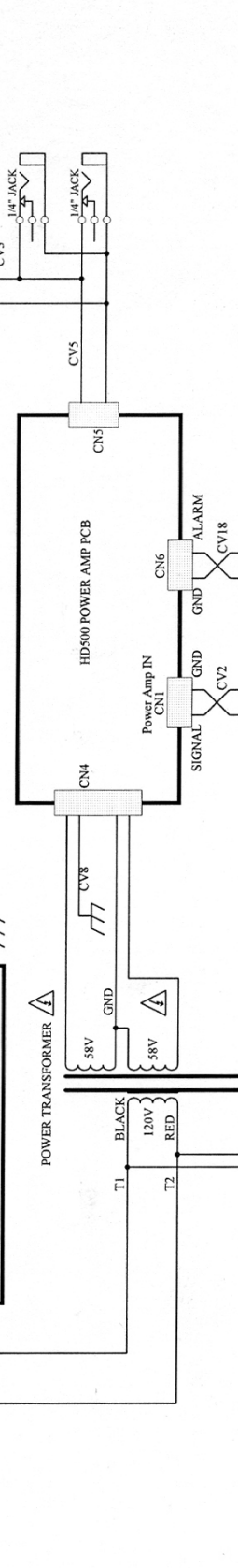
The first schematic is related to the whole equipment.

The following schematics are related to the PRE-HD500 and are shared into 5 sheet:

- Sheet1: Tube Gain and high voltage supply
- Sheet2: Send
- Sheet3: Equalizer
- Sheet4: LVR and Limiter
- Sheet5: Low voltage Supply

The last schematics are the Power Amplifier and the foot-switch.

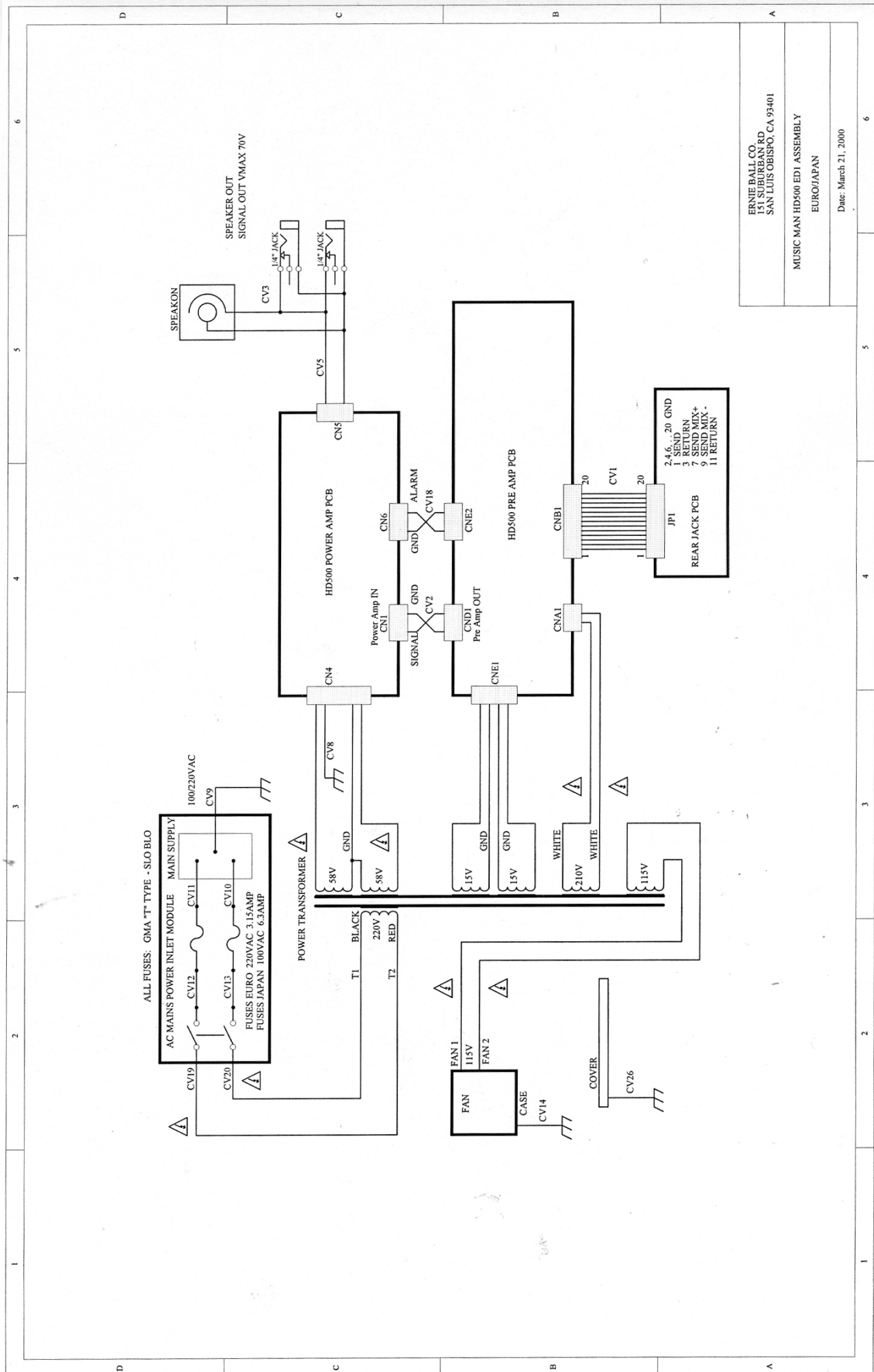
USA FUSES: 6.3 AMP GMA "T" TYPE - SLO BLO



ERNIE BALL CO.
131 SUBURBAN RD.
SAN LOUIS OBISPO, CA 93401

MUSIC MAN HD500 ED1 ASSEMBLY
USA

Date: March 21, 2000



ALL FUSES: GMA "T" TYPE - SLO BLO

AC MAINS POWER INLET MODULE MAIN SUPPLY
 100/220VAC
 CV19
 CV20
 CV12
 CV13
 CV10
 CV11
 FUSES EURO 220VAC 3.15AMP
 FUSES JAPAN 100VAC 6.3AMP

POWER TRANSFORMER
 58V
 15V
 210V
 115V
 T1 BLACK 220V
 T2 RED

JPI
 2+ 6, 20 GND
 5 SEND
 3 RETURN
 7 SEND MIX+
 9 SEND MIX-
 11 RETURN
 REAR JACK PCB

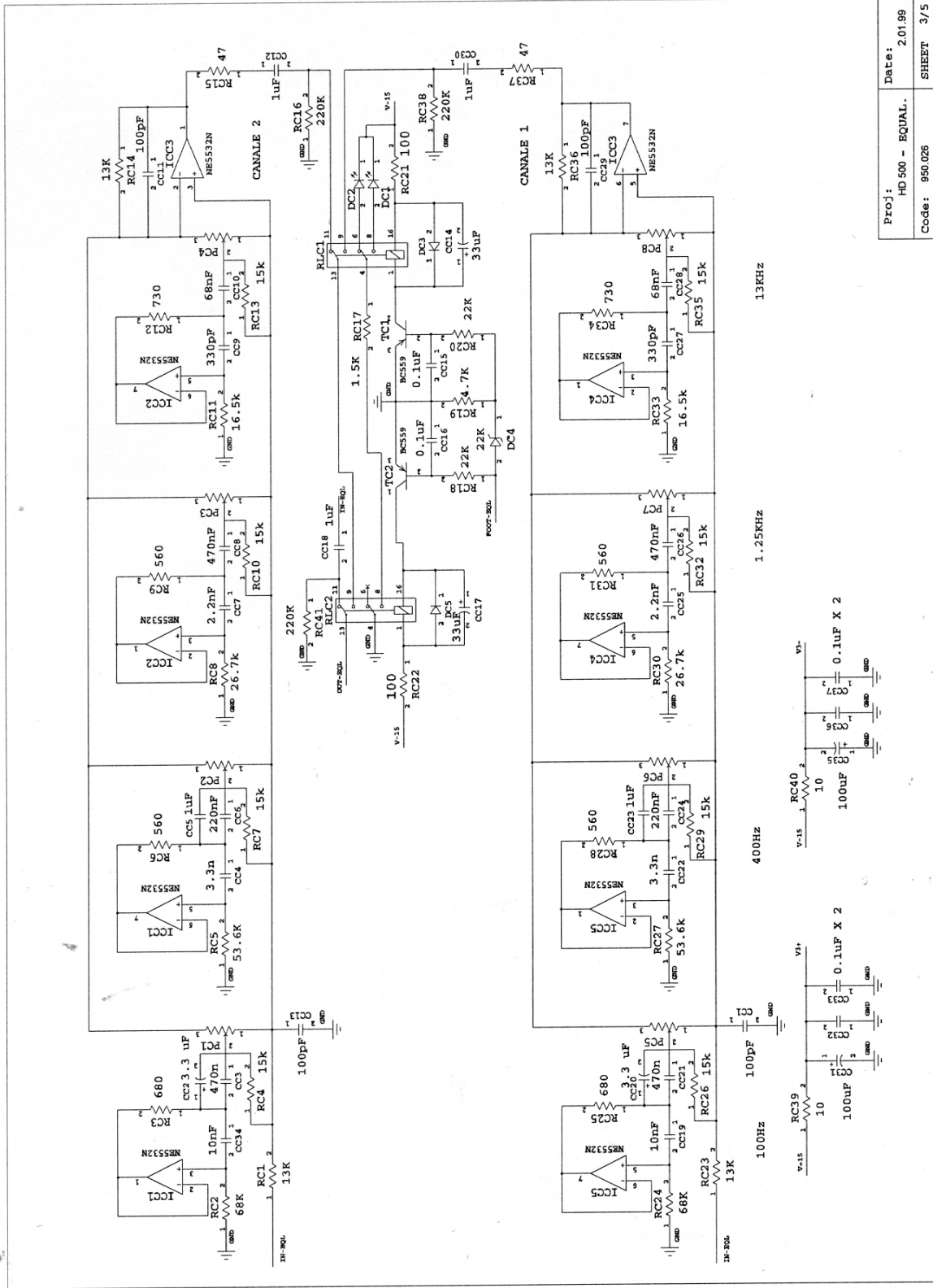
ERNIE BALL CO
 151 SUBURBAN RD
 SAN LUIS OBISPO, CA 93401

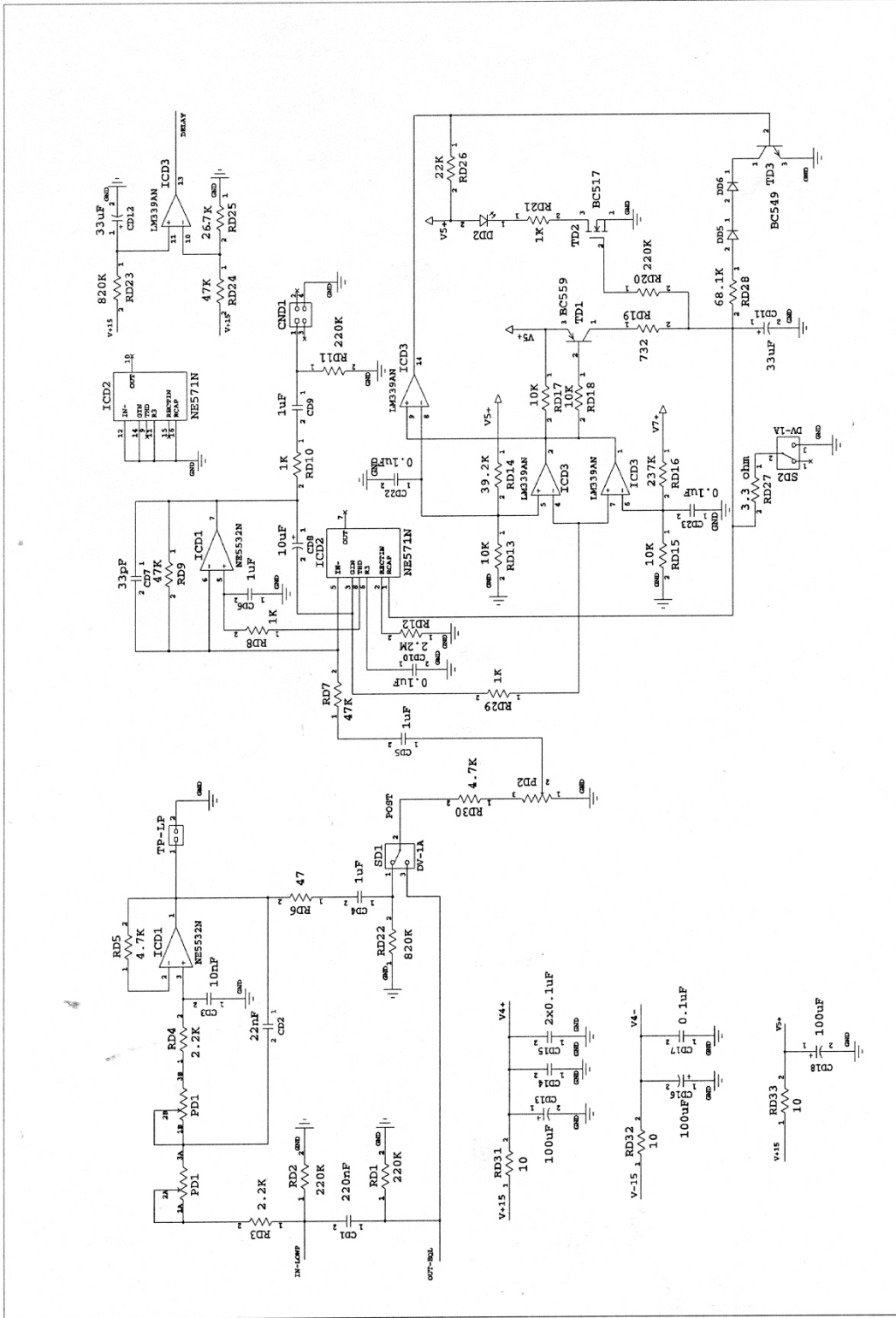
MUSIC MAN HD500 EDI ASSEMBLY
 EURO/JAPAN

Date: March 21, 2000

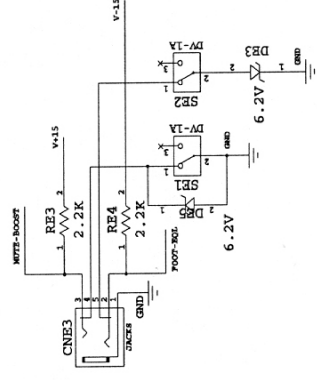
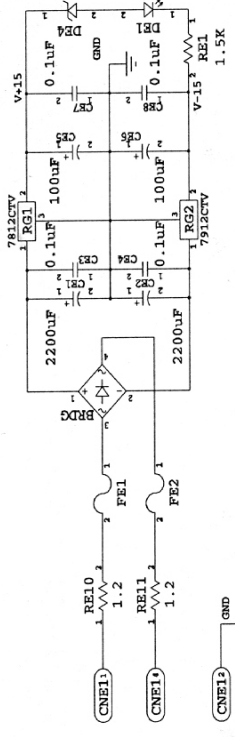
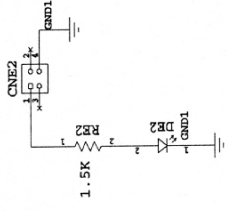
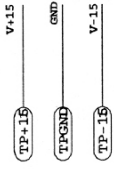
1 2 3 4 5 6

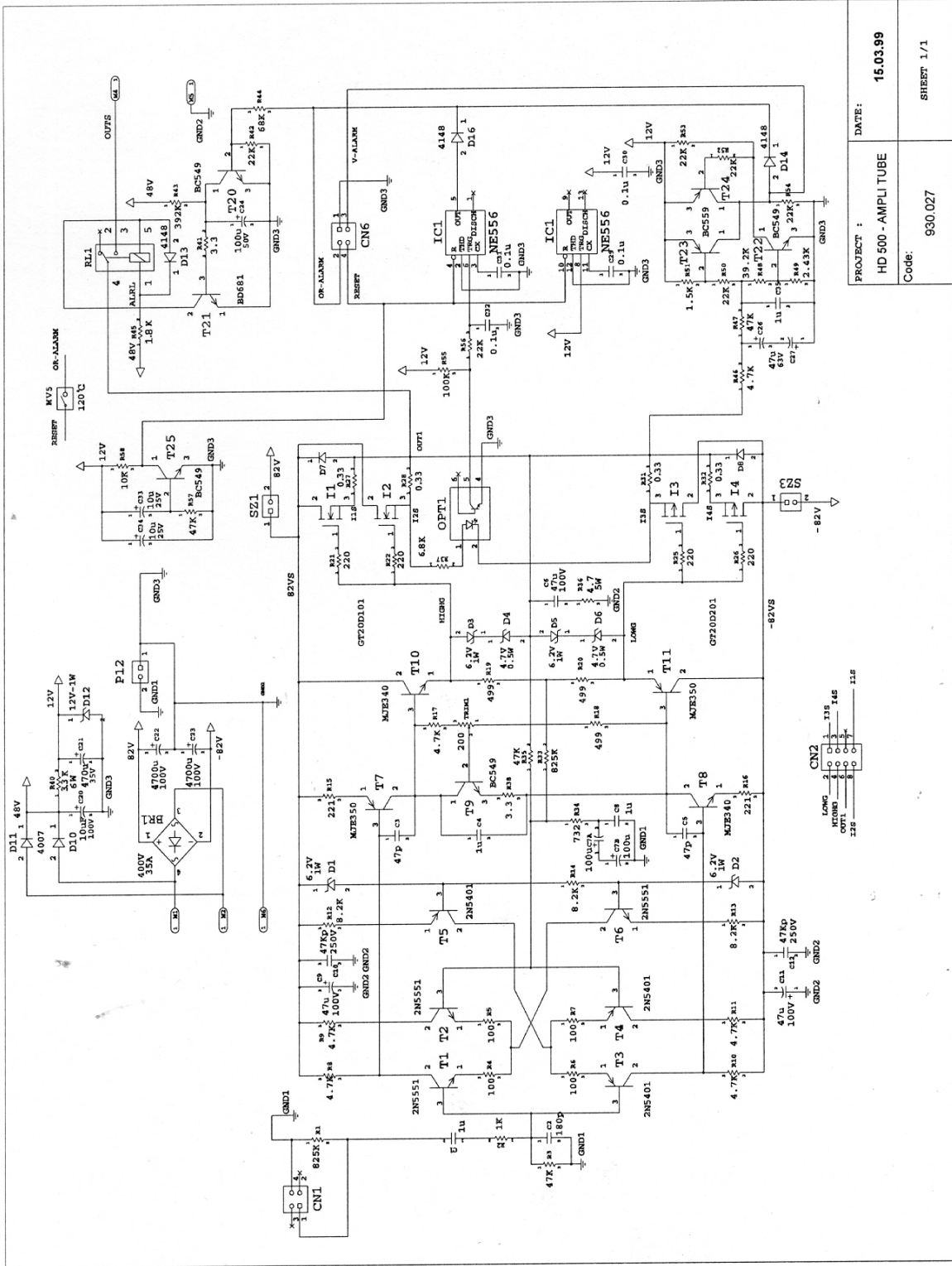
D C B A



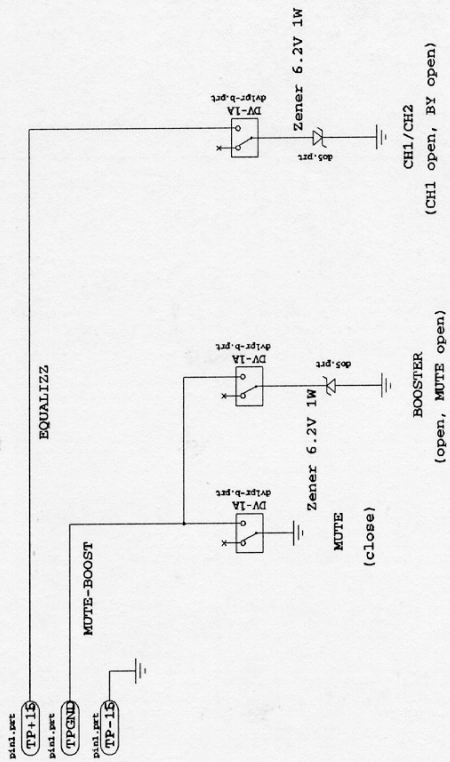


Proj: HD 500 - LIMITER
 Date: 2.01.99
 Code: 950.026
 Sheet: 4 / 5

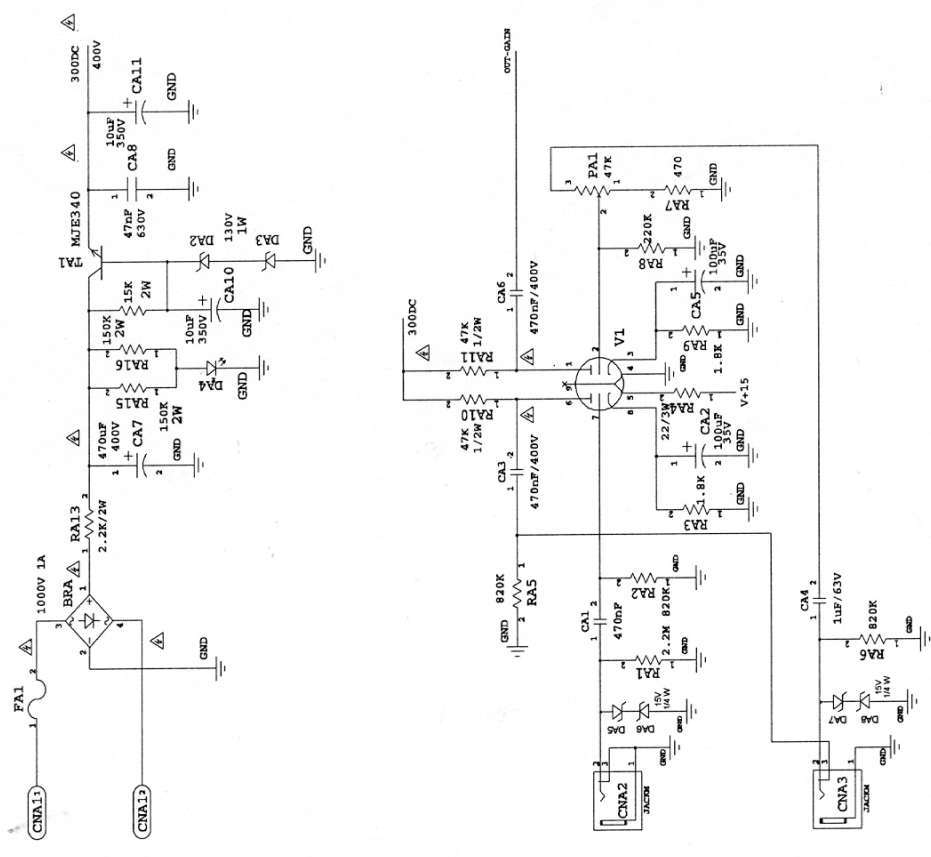


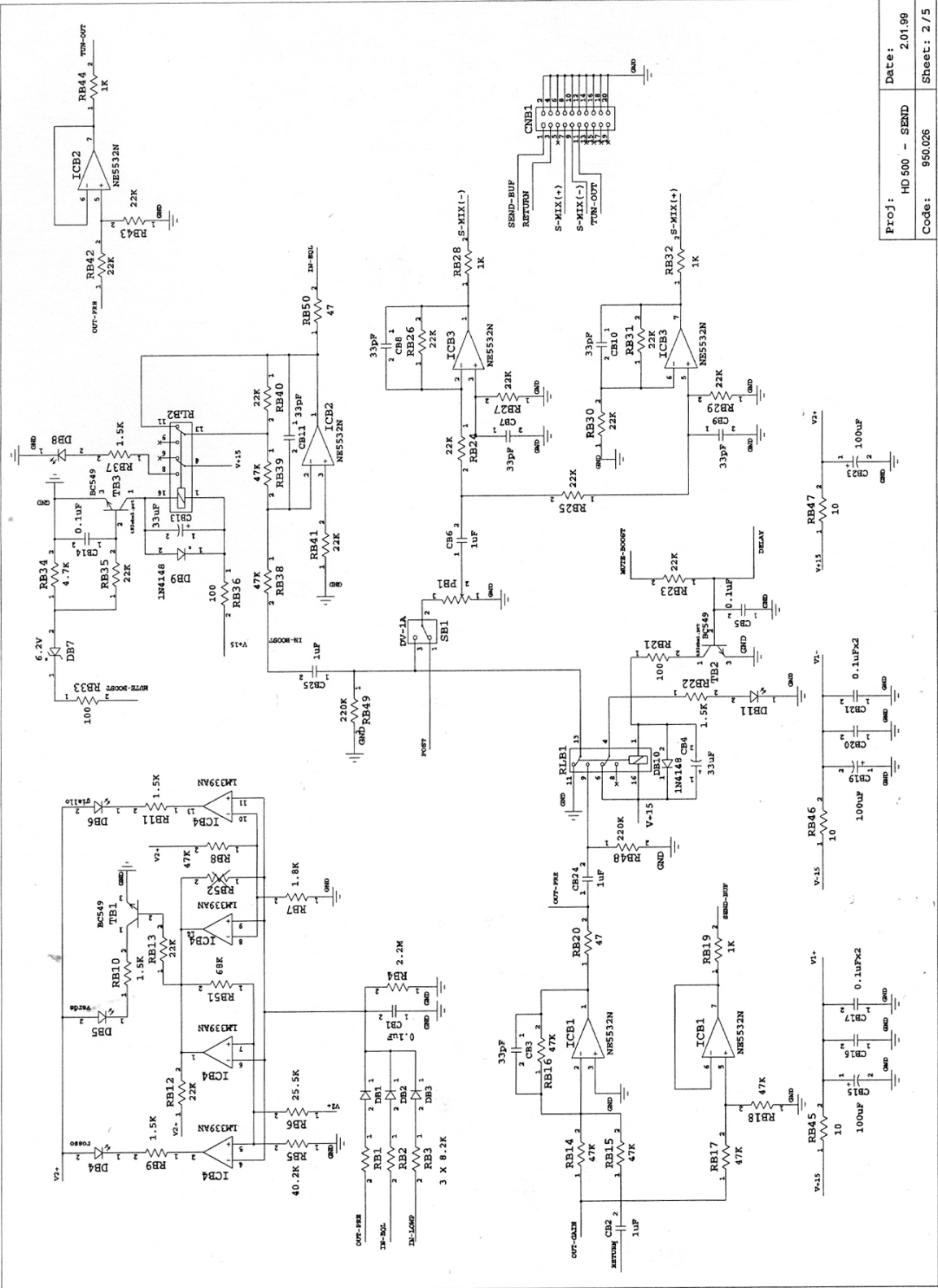


PROJECT : HD 500 - AMPLI TUBE
 DATE: 15.03.99
 Code: 930.027
 SHEET 1/1



Proj:	HD 500 - FOOT-SWT	Date:	19.08.98
Code:		Sheet:	1 / 1





Proj: HD 500 - SEND
 Date: 2.01.99
 Code: 950.026
 Sheet: 2 / 5