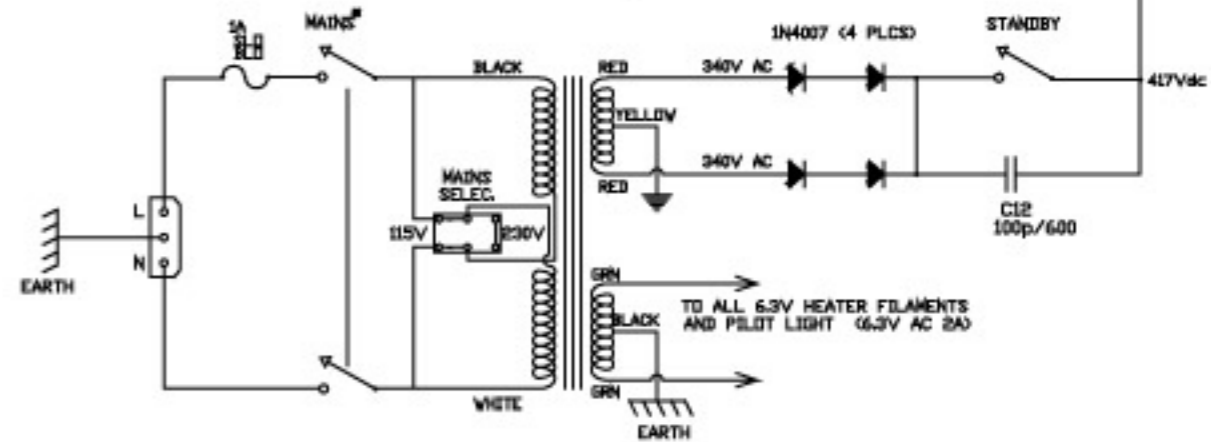
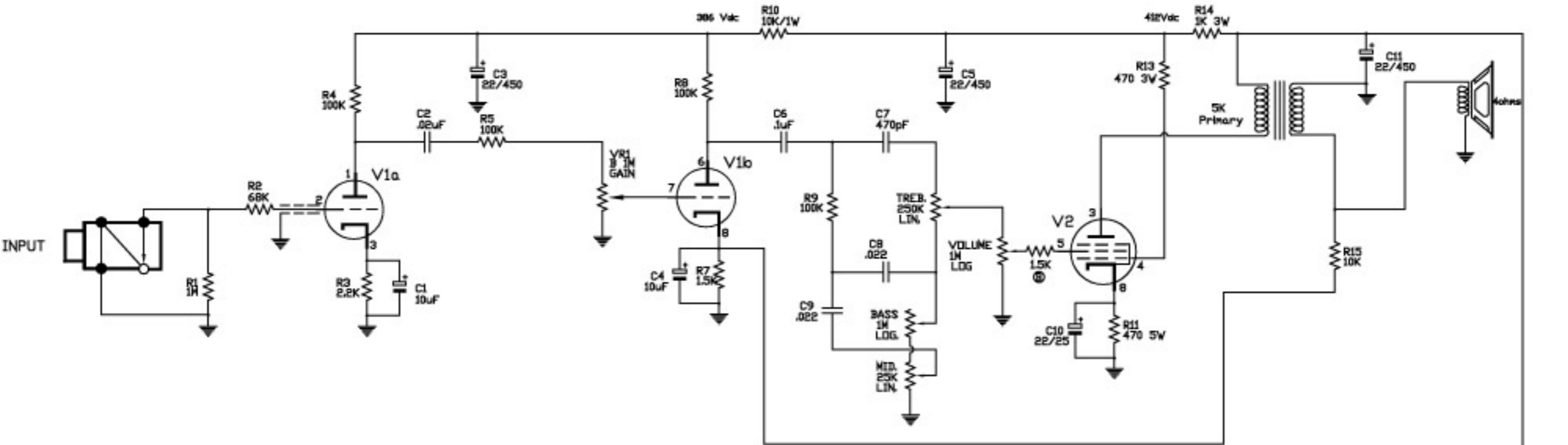


# Epiphone Galaxy 10

GA10



Ⓑ Resistor placed on pin 5 tube V2

V1 = 12AX7

V2 = 5881/6L6

Note: All resistors 1/2Watt unless noted.

Note: For 230V operation Fuse = .5A Slo Blo

## VOLTAGE CHART

	TUBE TYPE	PIN #1	PIN #2	PIN #3	PIN #4	PIN #5	PIN #6	PIN #7	PIN #8	PIN #9
1	12AX7	281.8	0	2.34	H	H	251.1	0	1.83	H
2	5881/6L6		H	413	416	0		H	30.91	