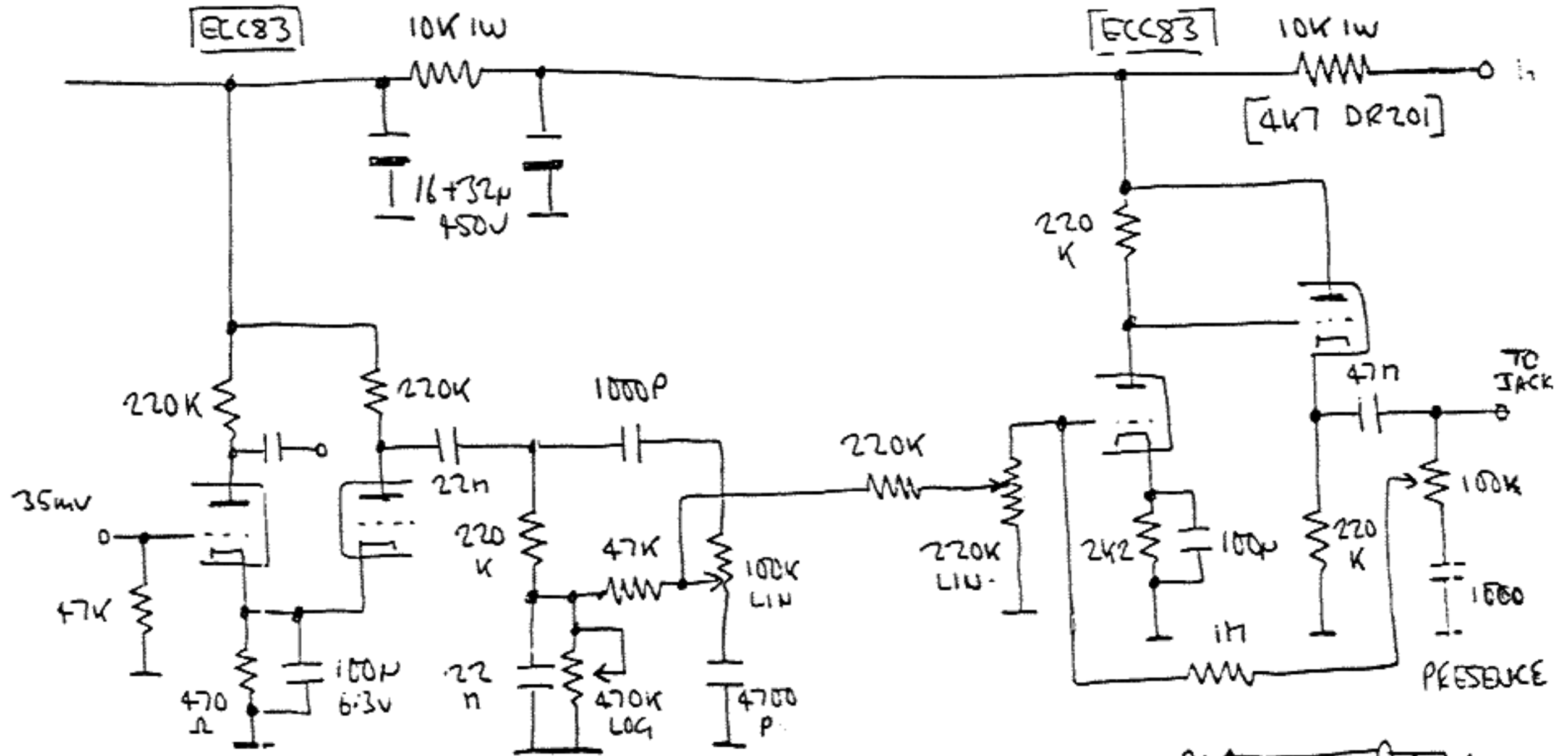


PRE-AMP PA AMPS
 DR112
 DR203



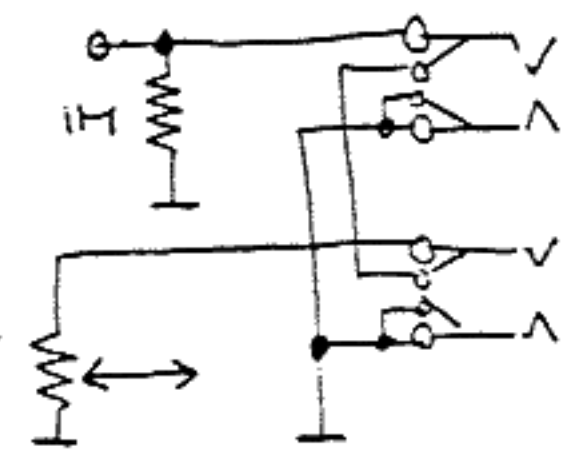
STAGE X3
 FOR SIX
 CHANNELS

TONE X6

VOLUME X6
 IN PARALLEL

[TO AP. AMPS
 DRIVE CCT]
 MASTER
 VOLUME
 100K LIN

HIWA II
 JULY 1979
 DR.



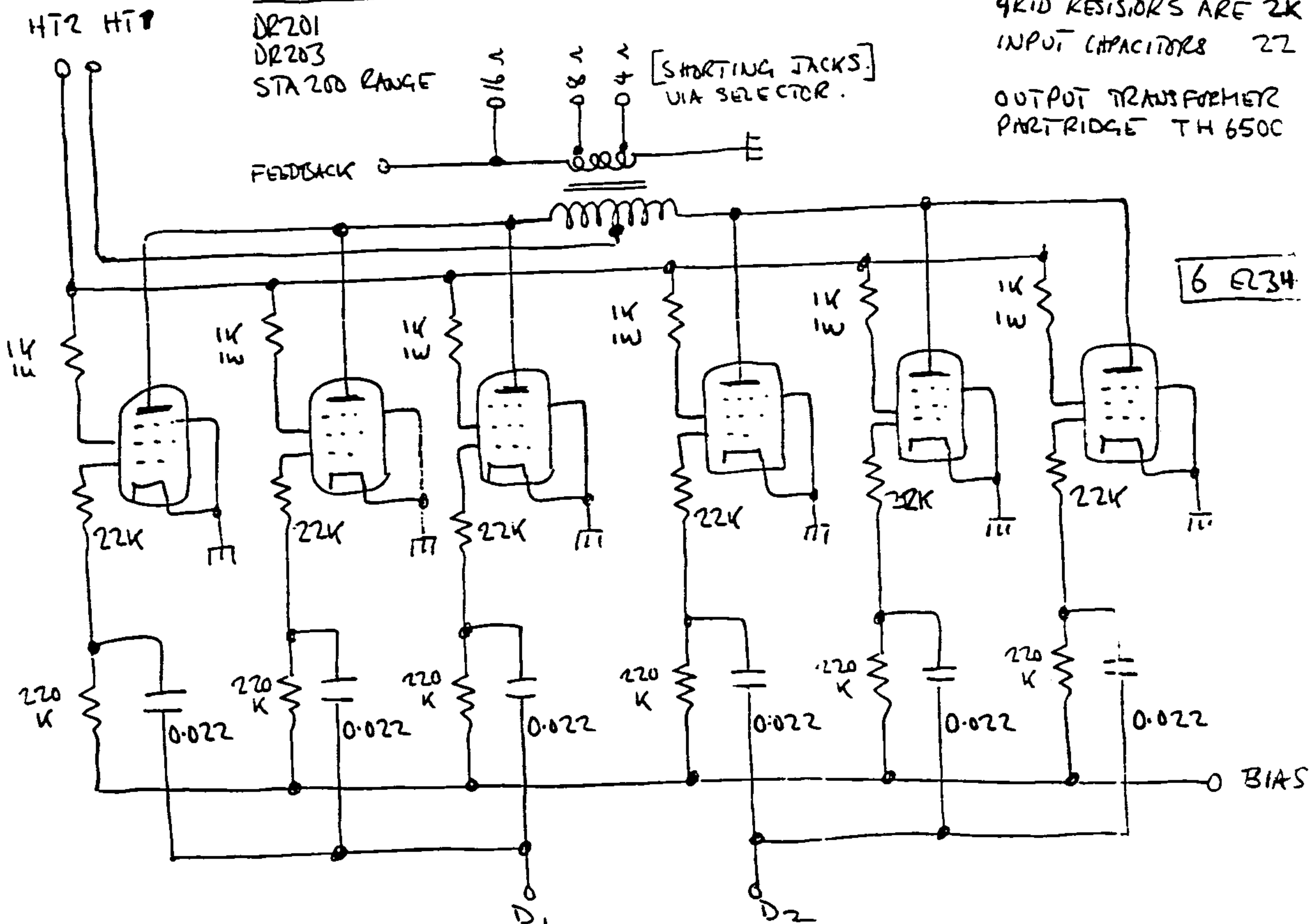
OUTPUT STAGE

DR201
DR203
STA 200 RANGE

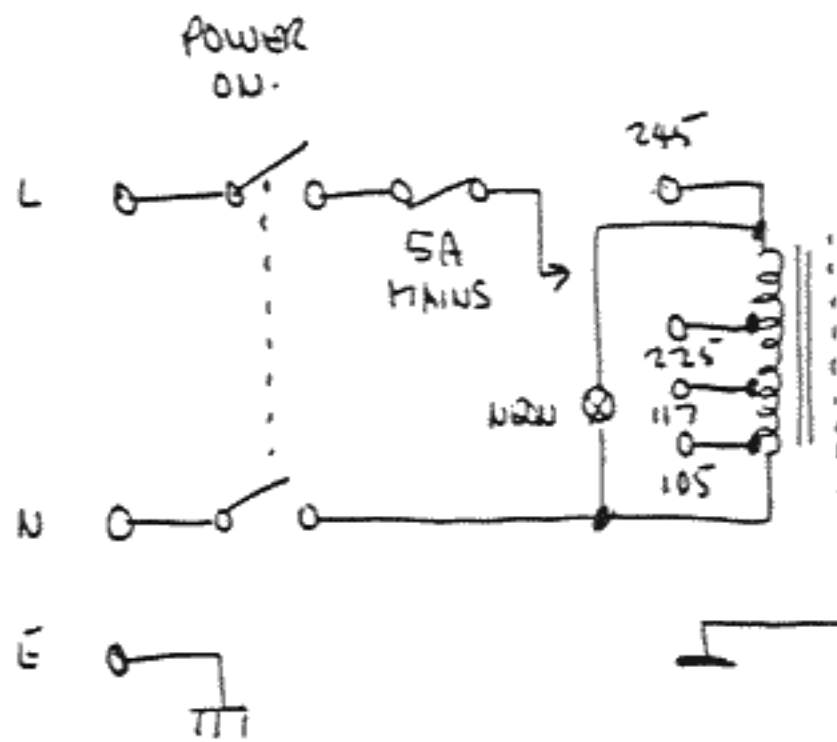
[SHORTING JACKS]
VIA SELECTOR.

FOR STA 200 RANGE
GRID RESISTORS ARE 2K
INPUT CAPACITORS 22

OUTPUT TRANSFORMER
PARTRIDGE TH 650C

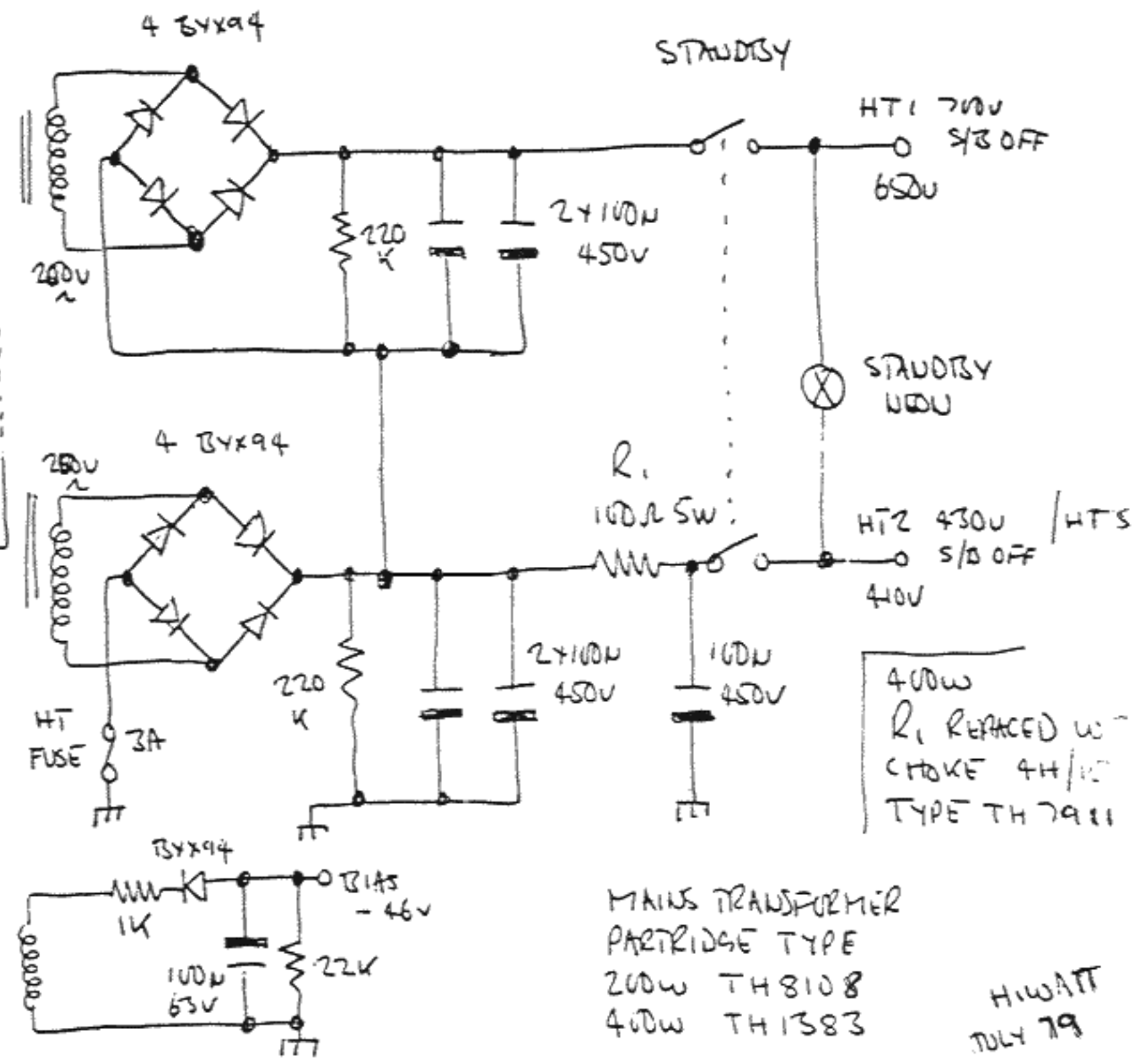


FUSE TYPE
SLO-BLO 0U
105-117V



POWER SUPPLY

- DR 201 STA 200
- DR 405 STA 200 R
- DR 203 STA 200 R-D
- STA 400



400W
R1 REPLACED W/
CHOKER 4H/100
TYPE TH 7911

MAINS TRANSFORMER
PARTRIDGE TYPE
200W TH 8108
400W TH 1383

HIWATT
JULY 79