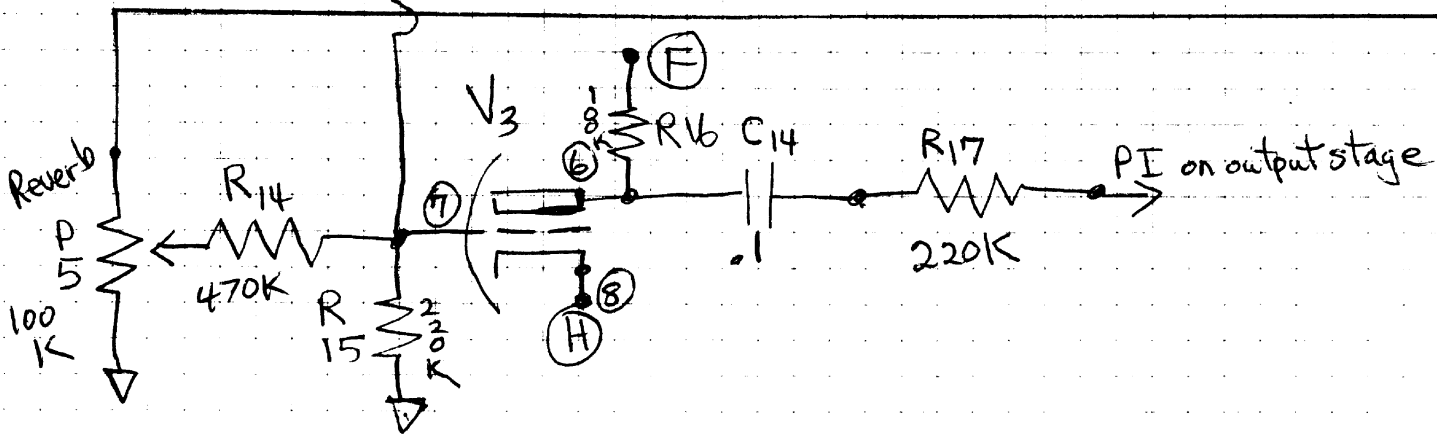
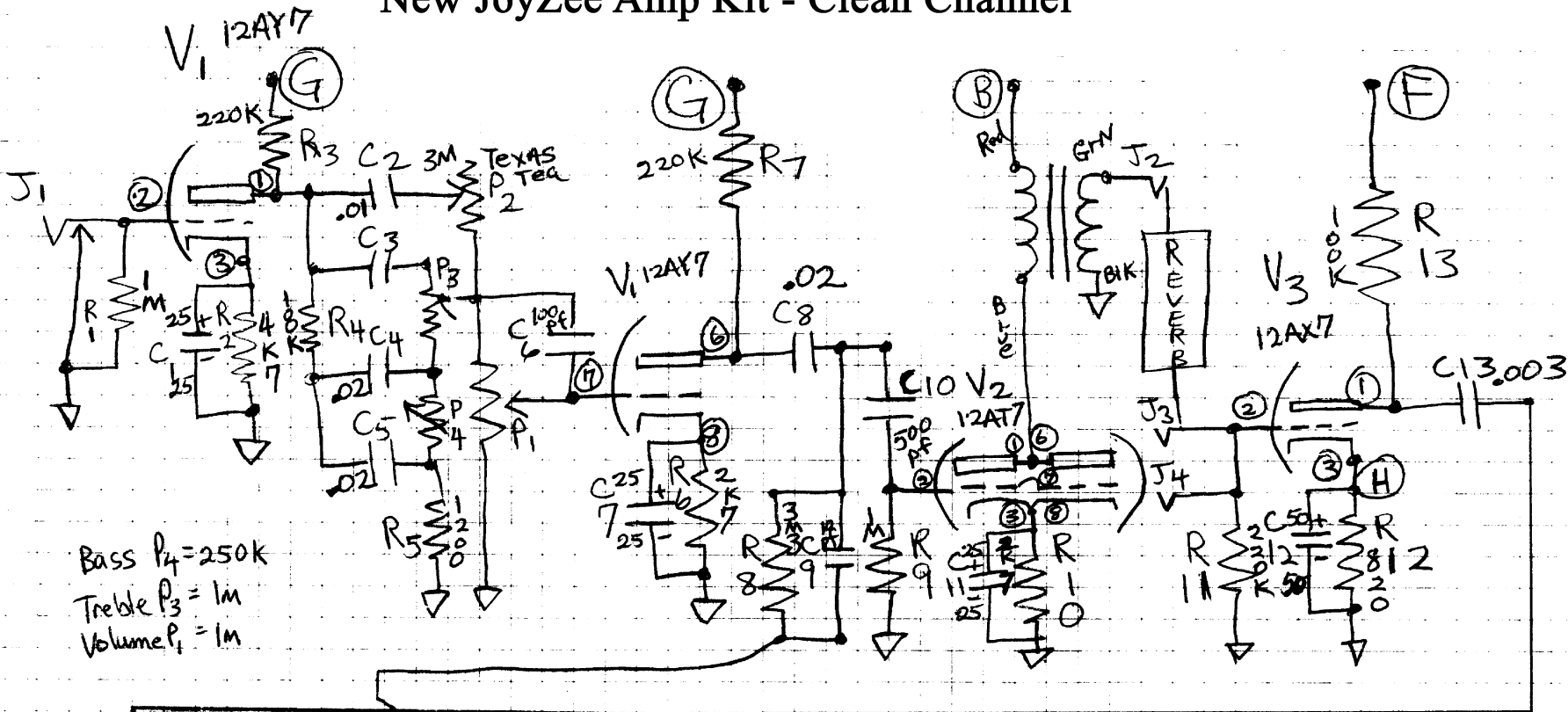
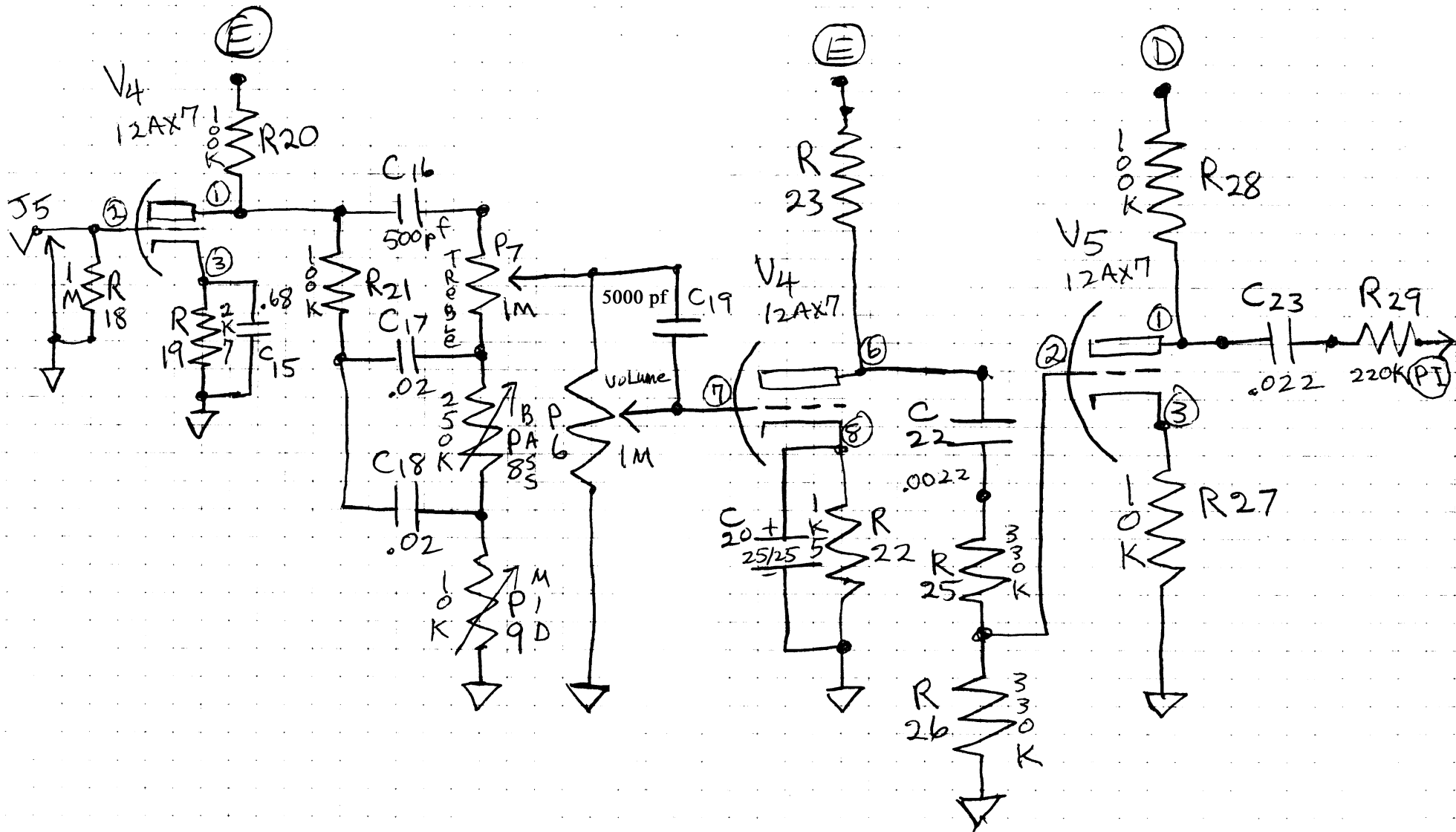


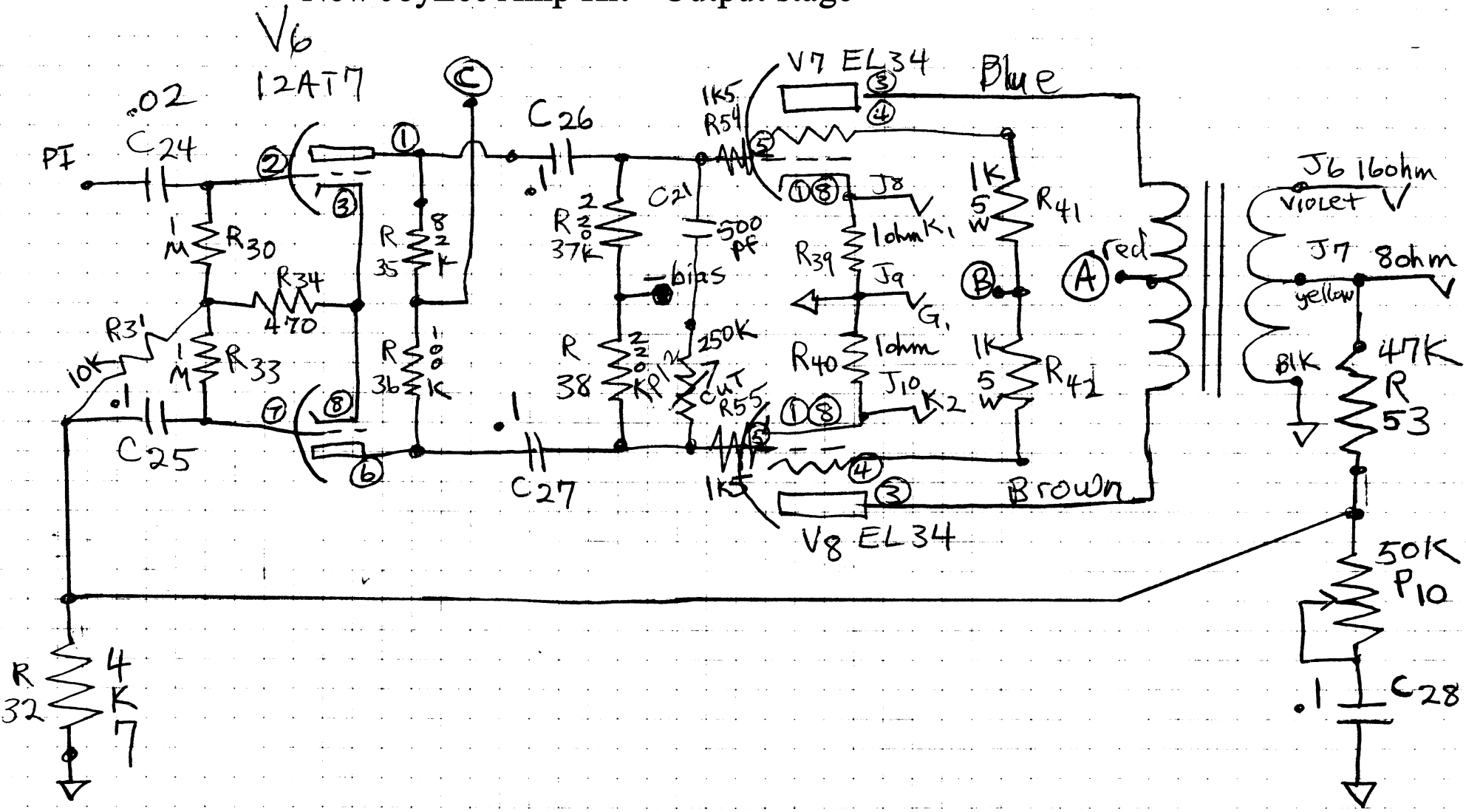
New JoyZee Amp Kit - Clean Channel



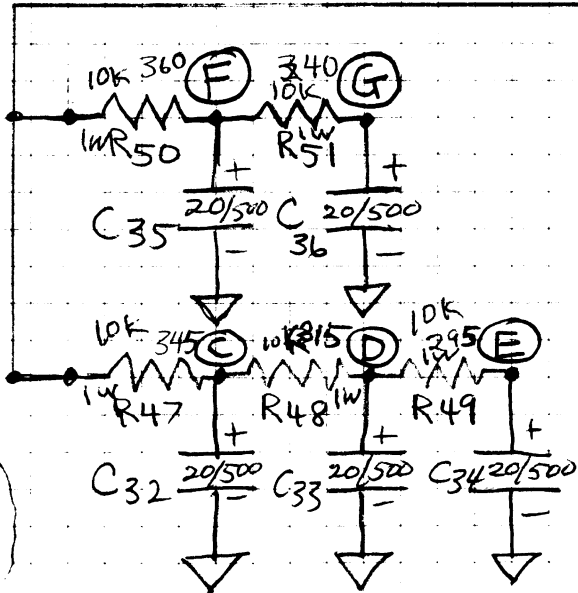
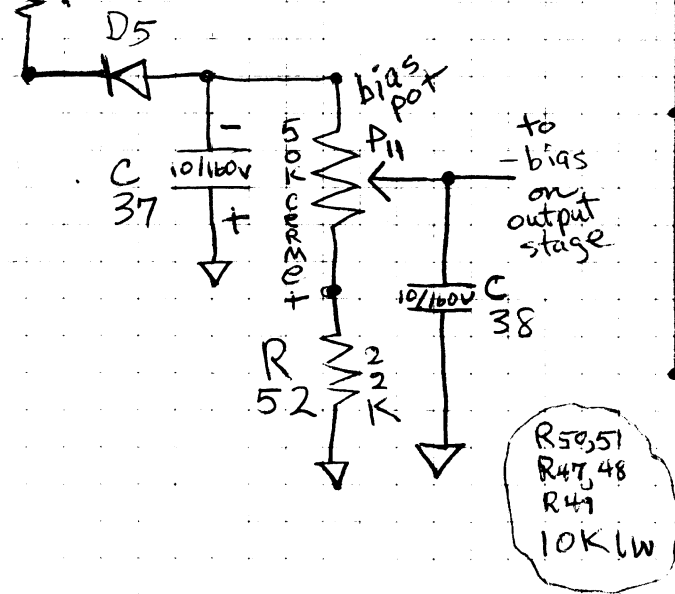
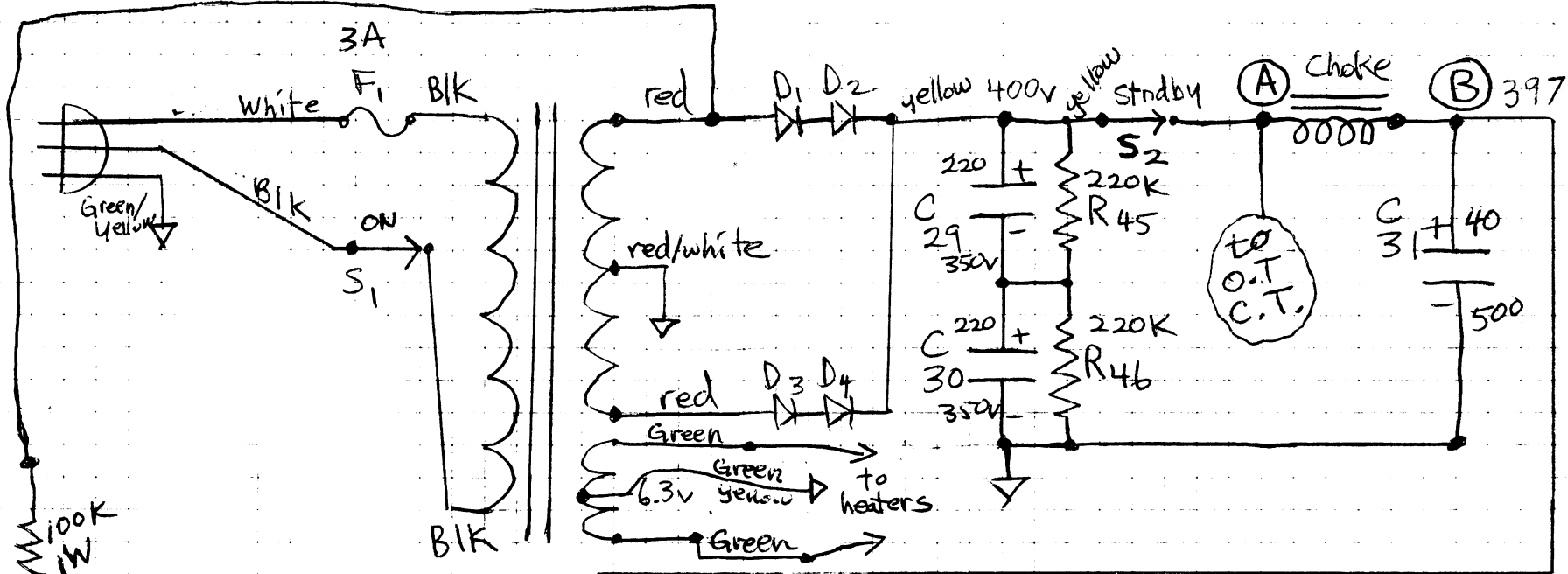
New JoyZee Amp Kit - Lead Channel



New JoyZee Amp Kit - Output stage



New JoyZee Amp Kit - Power Supply



- A O.T./C.T. + Choke (Red, Blk)
- B Screens (Brown)
- C PHASE INV. - GND by Presence
- D 3rd TRIODE Lead - GND by Vol
- E 1st + 2nd TRIODE Lead
- F Rev. Recovery + Mix - GND by Vol
- G 1st + 2nd TRIODE Clean