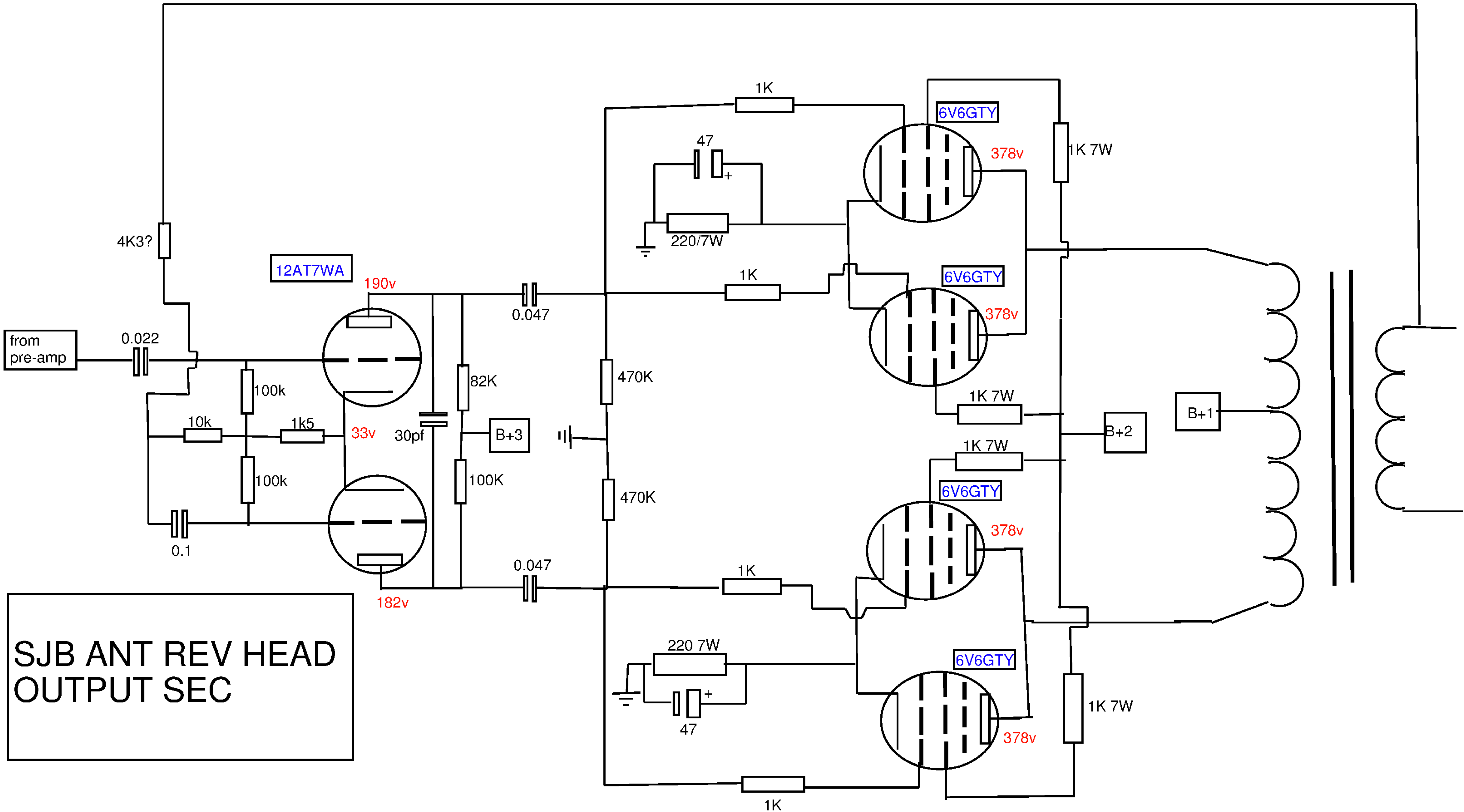


# SJB ANT REV. HEAD PRE-AMP

RESISTORS 1/2 WATT CARBON FILM  
 CAPS 400V MYLAR (EXCEPT  
 ELECTROLYTICS)  
 FIGURES IN BRACKETS ARE MY MODS

IN OUT  
 ACCUTRONICS REVERB PAN  
 8FB2C1B



SJB ANT REV HEAD  
OUTPUT SEC

