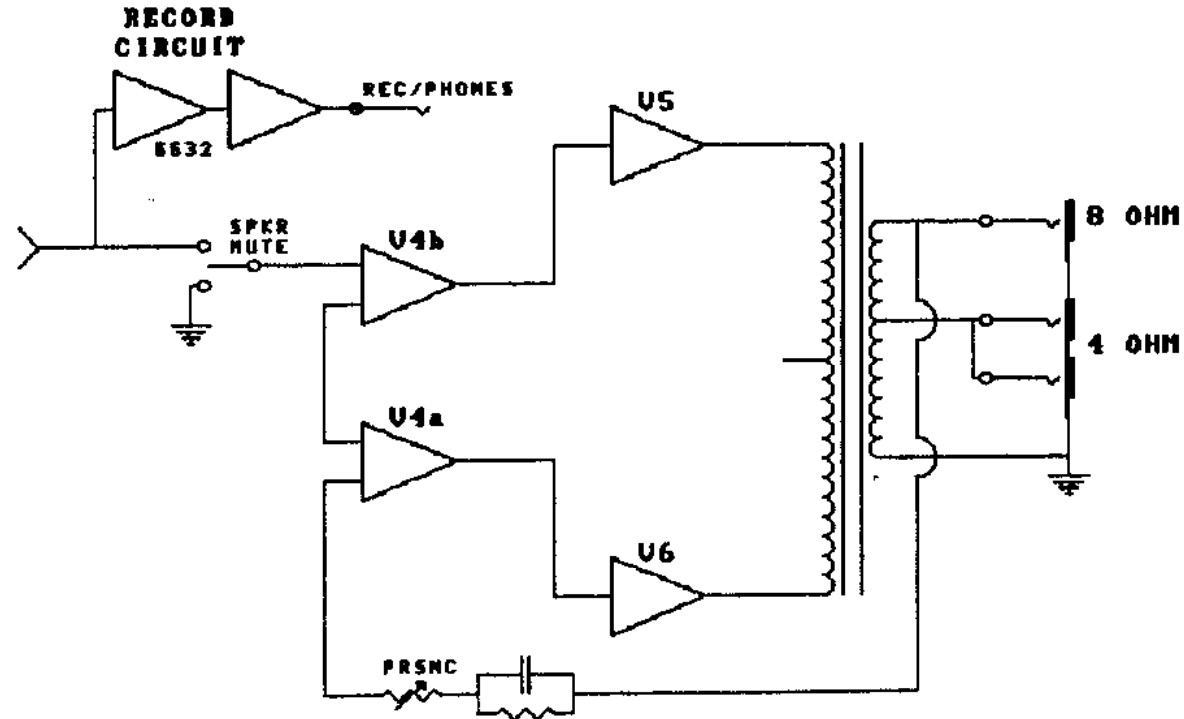
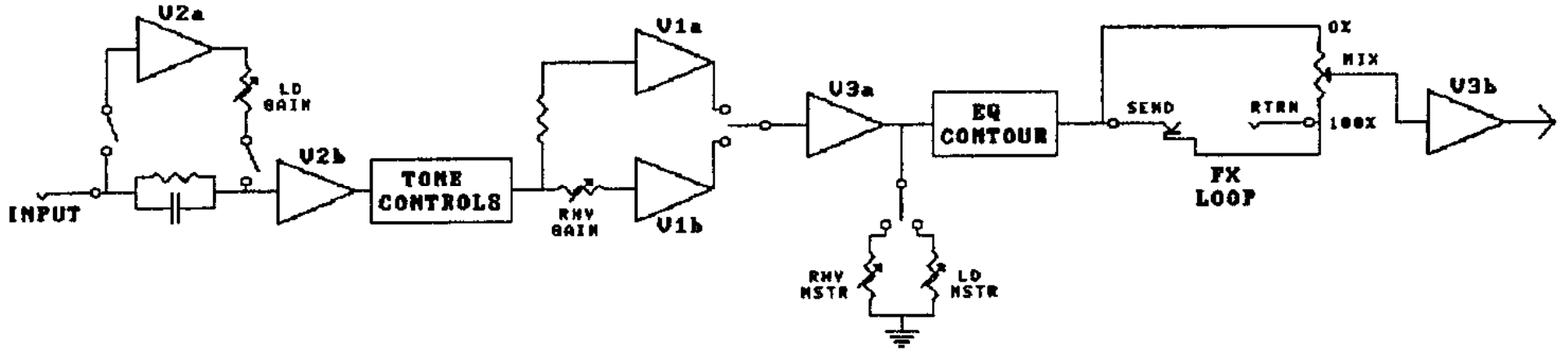


**MESA-BOOGIE
SUBWAY ROCKET
BLOCK DIAGRAM**
FILE SUBROBK.501

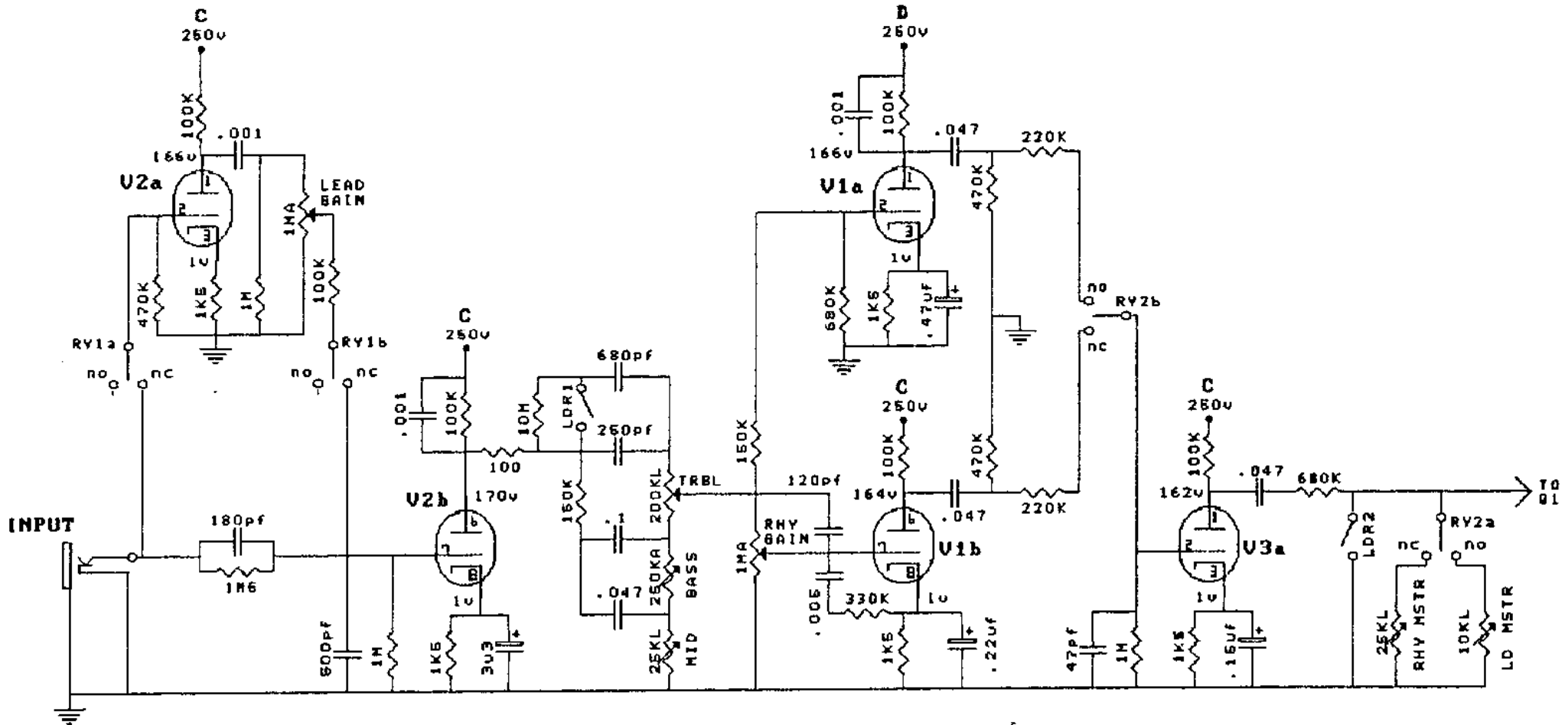


V1 - V4 12AX7
V5 - V6 EL84

MESA-BOOGIE SUBWAY ROCKET

PREAMP

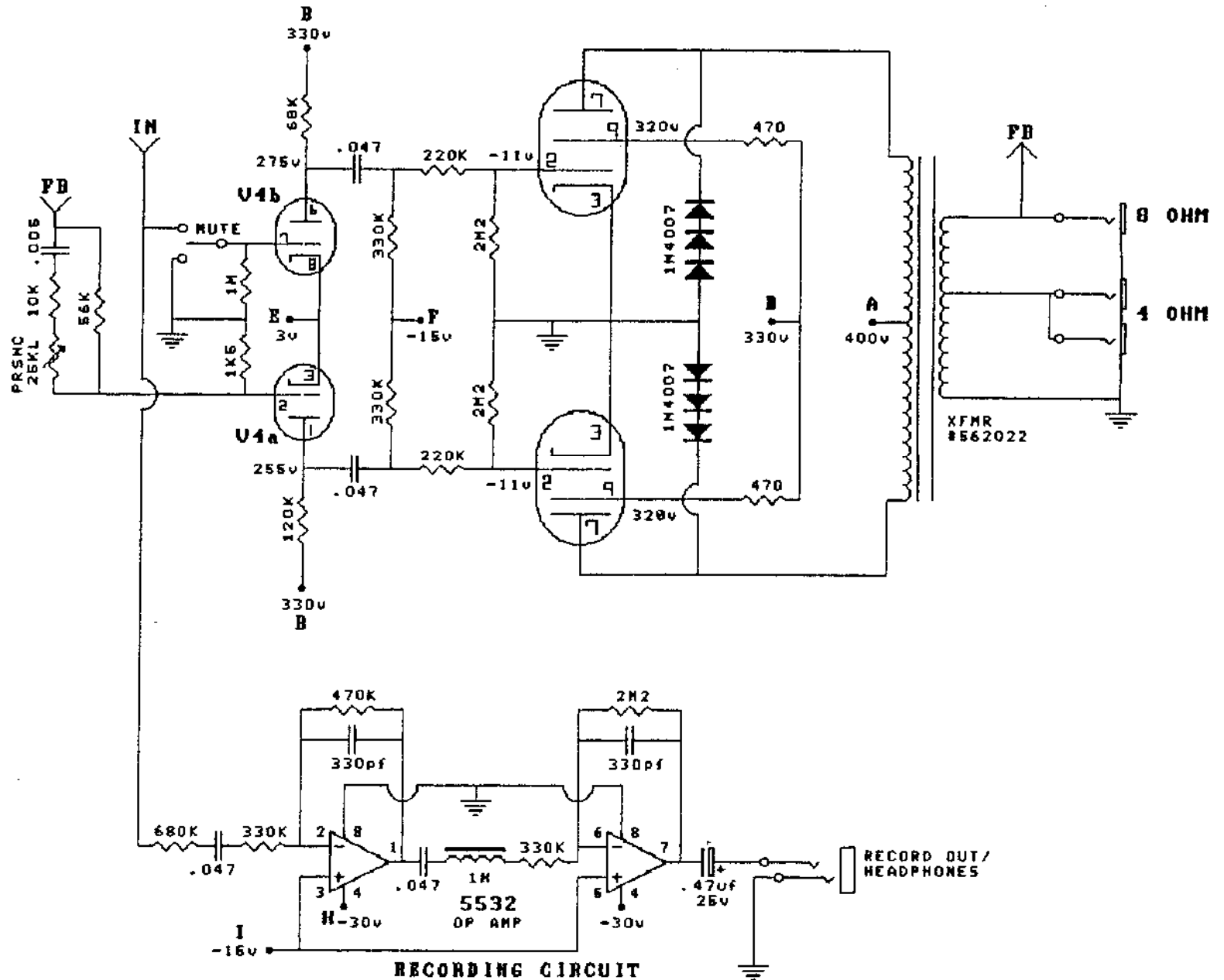
FILE SRPRE1.S01



MESA-BOOGIE SUBWAY ROCKET

POWER AMP
RECORD OUT

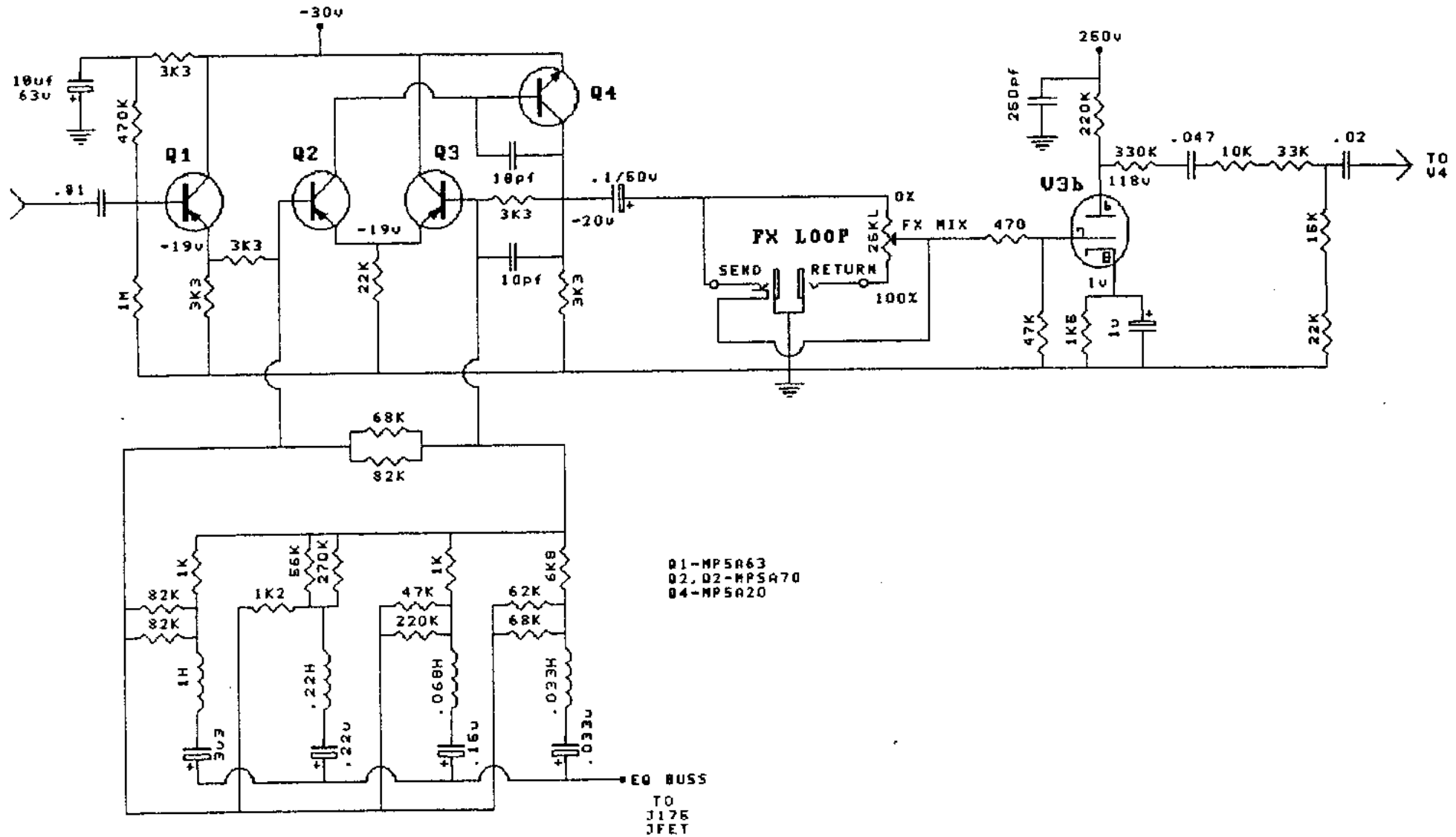
FILE SRPUR.581



MESA-BOOGIE SUBWAY ROCKET SR1C

EQ, FX LOOP

FILE SRPRE2.S81

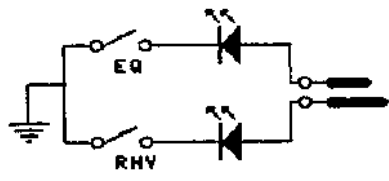


MESA-BOOGIE SUBWAY ROCKET

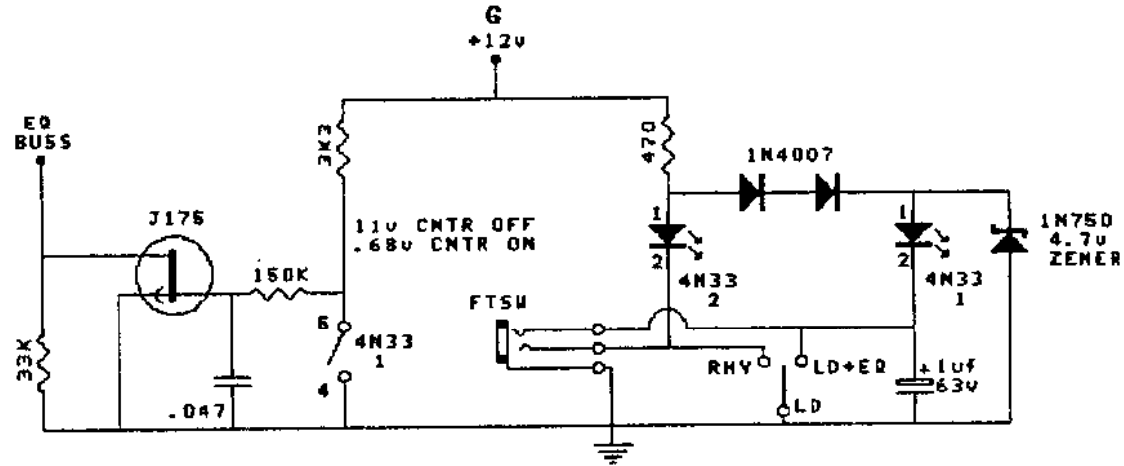
SWITCHING MATRIX

FILE SUBRSU.5B1

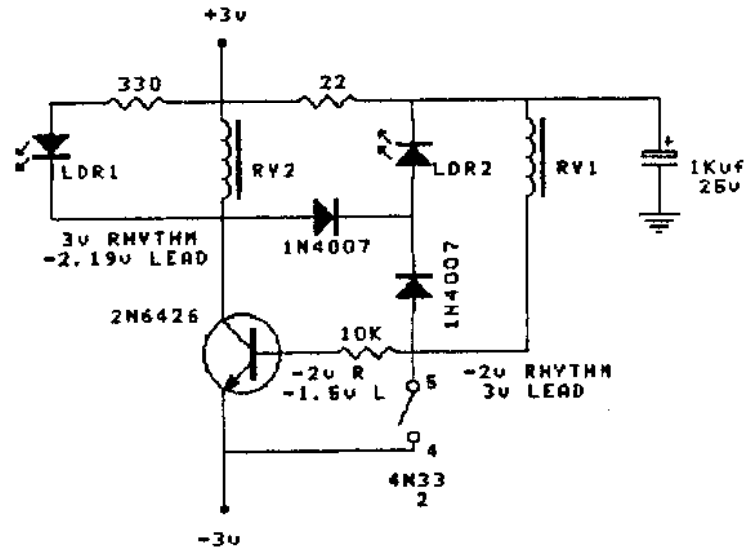
6/6



FOOTSWITCH



- RELAY 1 - ON FOR RHYTHM
OFF FOR LEAD
- RELAY 2 - ON FOR LEAD
OFF FOR RHYTHM
- 2N6426 - ON FOR LEAD
OFF FOR RHYTHM
- 4N33 1 - CONTOUR ON/OFF
TURNS ON J175
TO BRND EQ BUSS
- 4N33 2 - ON FOR RHYTHM
- LDR1 - ON FOR LEAD TRBL SHIFT



MESA-BOOGIE SUBWAY ROCKET

POWER SUPPLIES
FILE SUBRSUPP.581

