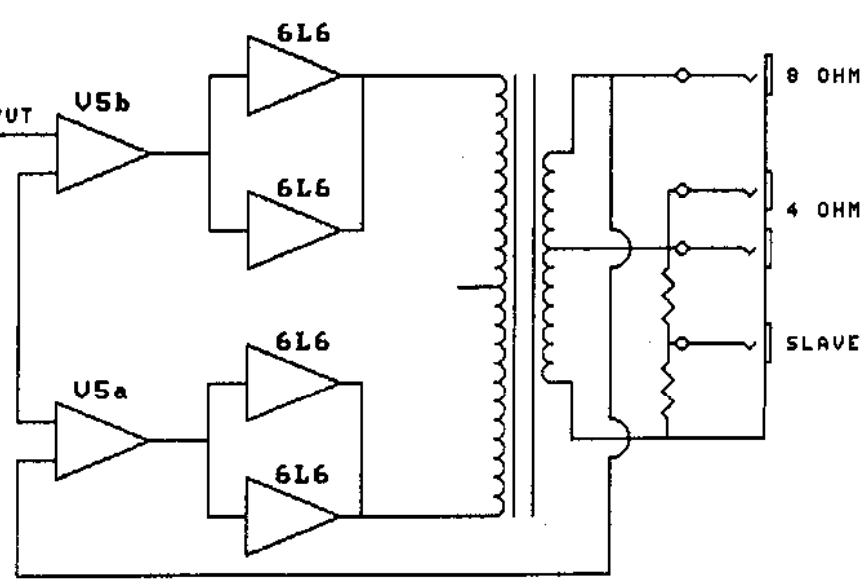
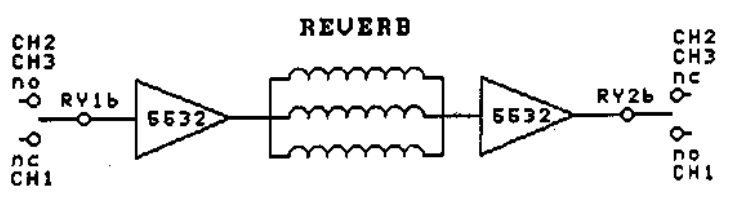
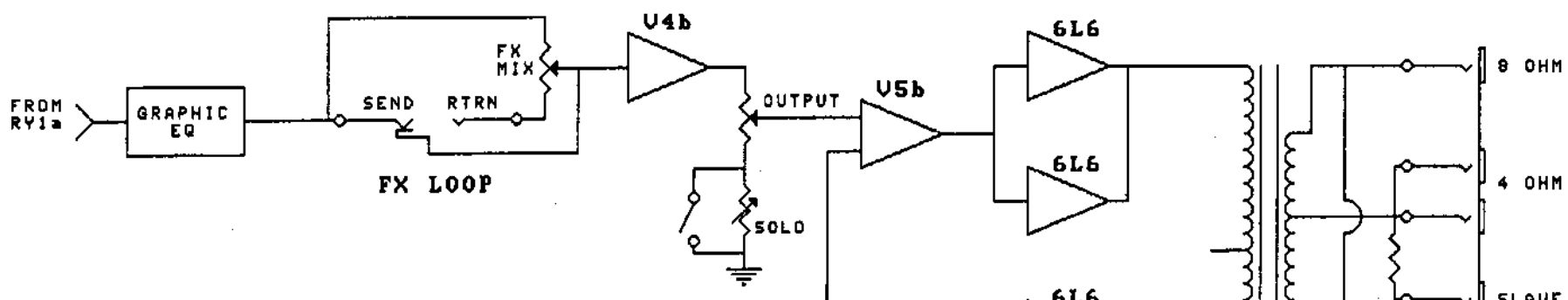
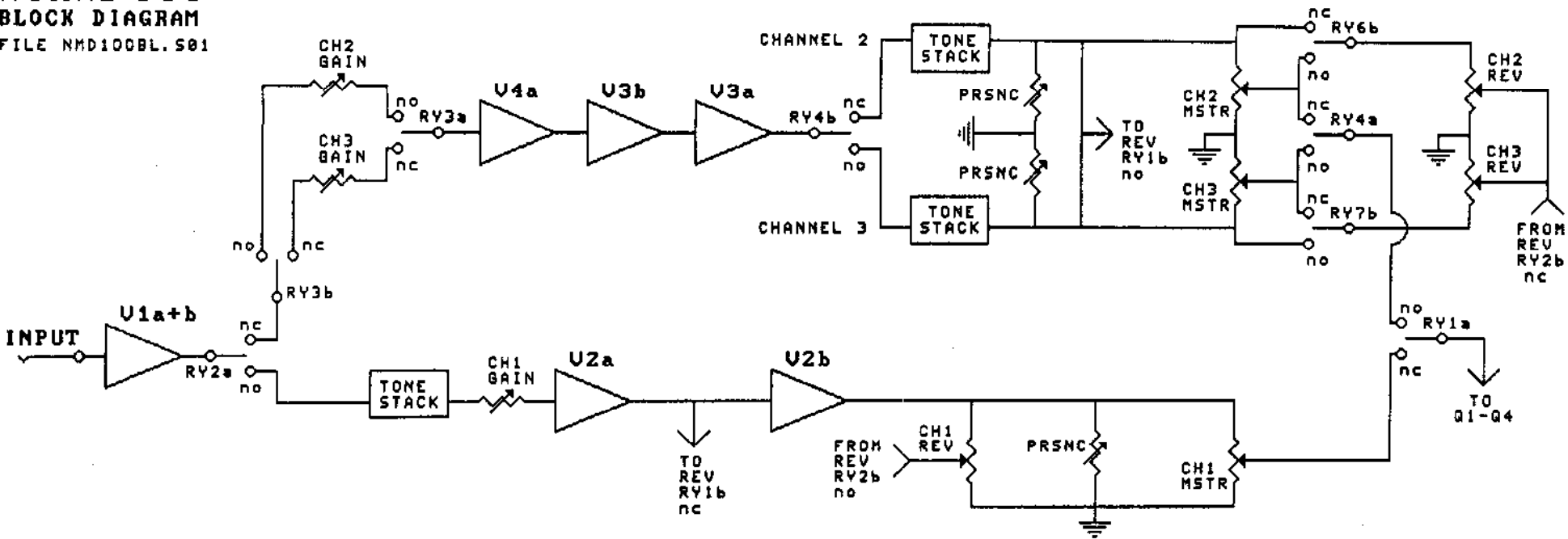




**nomad**™

ONE-HUNDRED

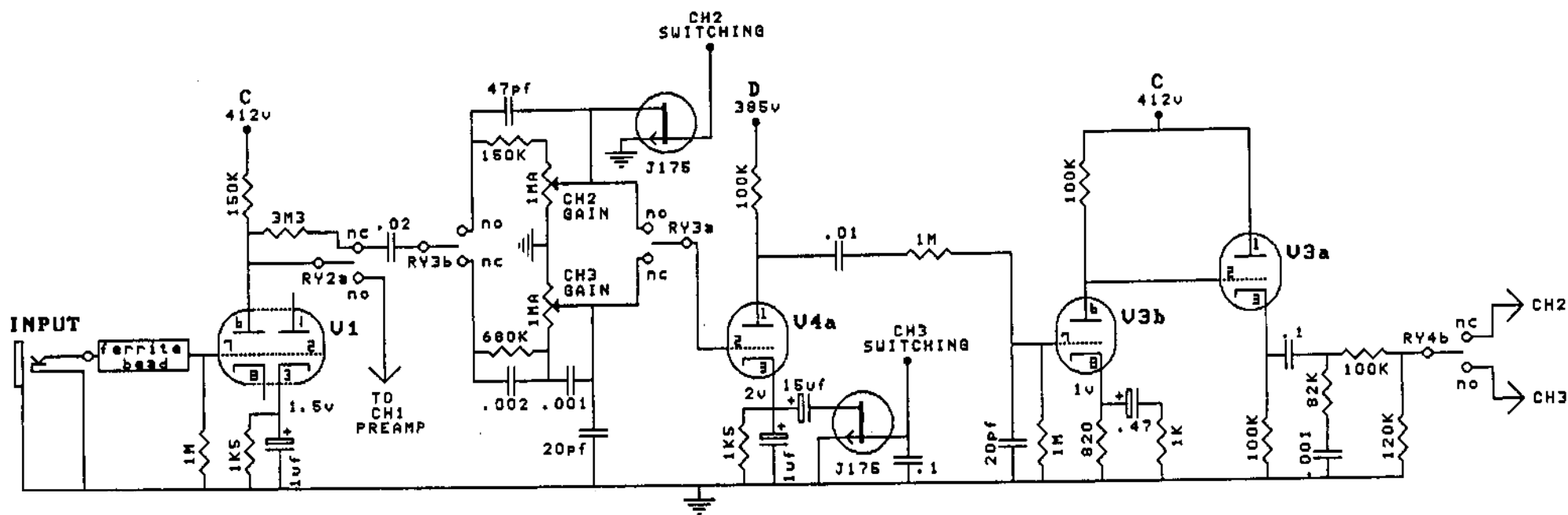
**MESA-BOOGIE**  
**NOMAD 100**  
**BLOCK DIAGRAM**  
 FILE NMD100BL.S01



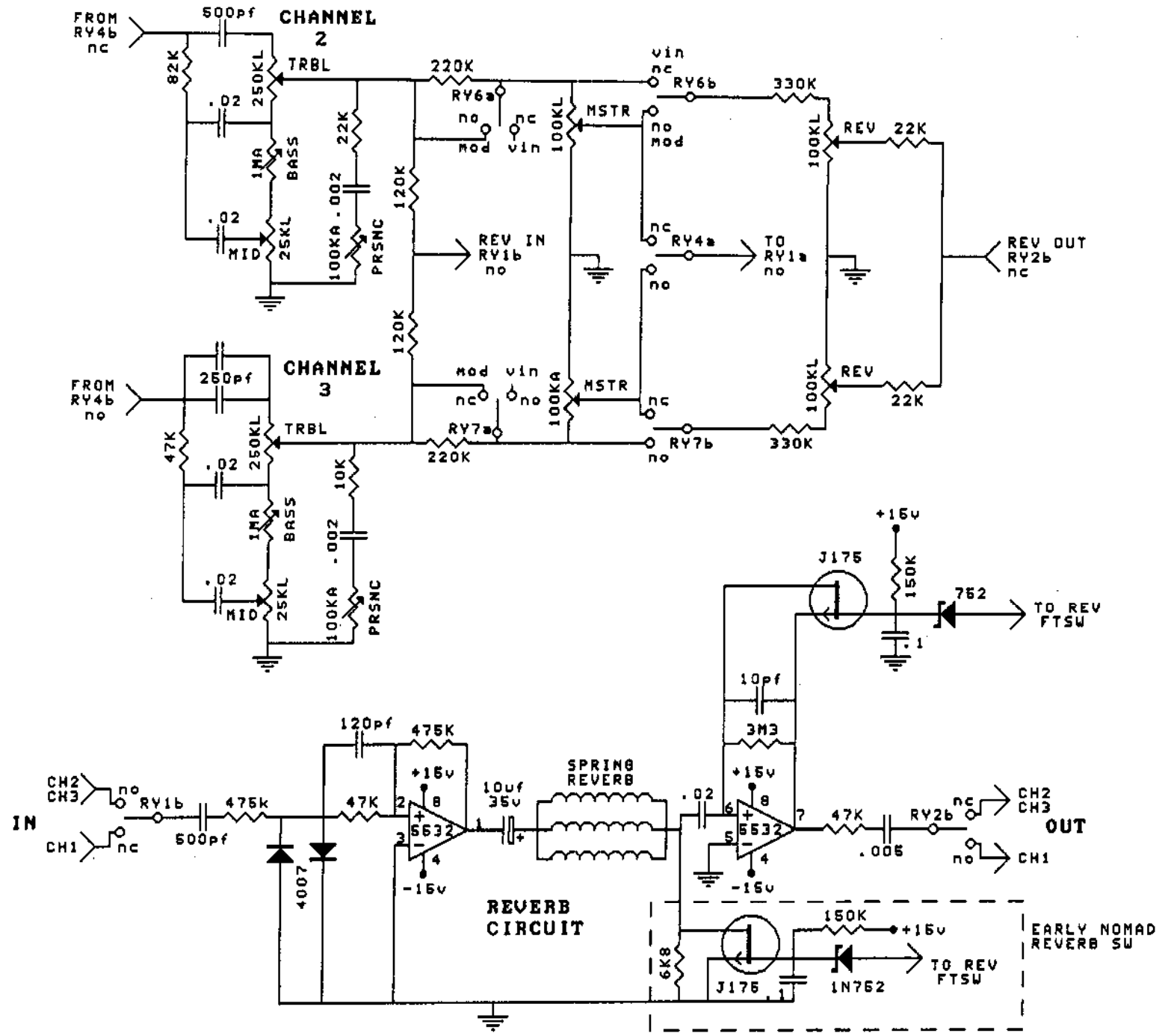


# MESA-BOOGIE NOMAD 55

CH2 CH3 PREAMP  
FILE NHD55PR2.501



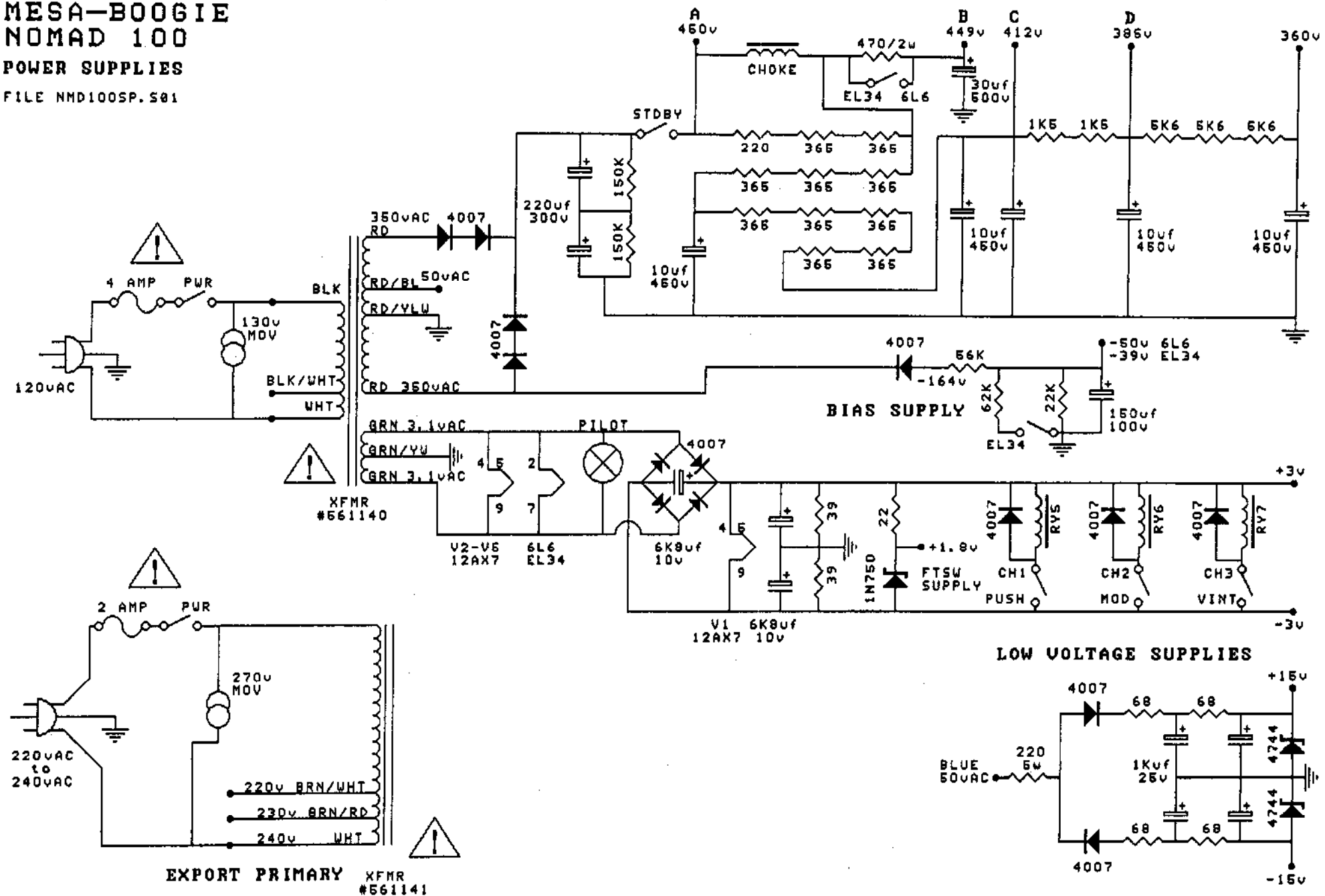
**MESA-BOOGIE  
NOMAD**  
CH2 CH3 PREAMP PT2  
REVERB  
FILE NMDPRE3.501



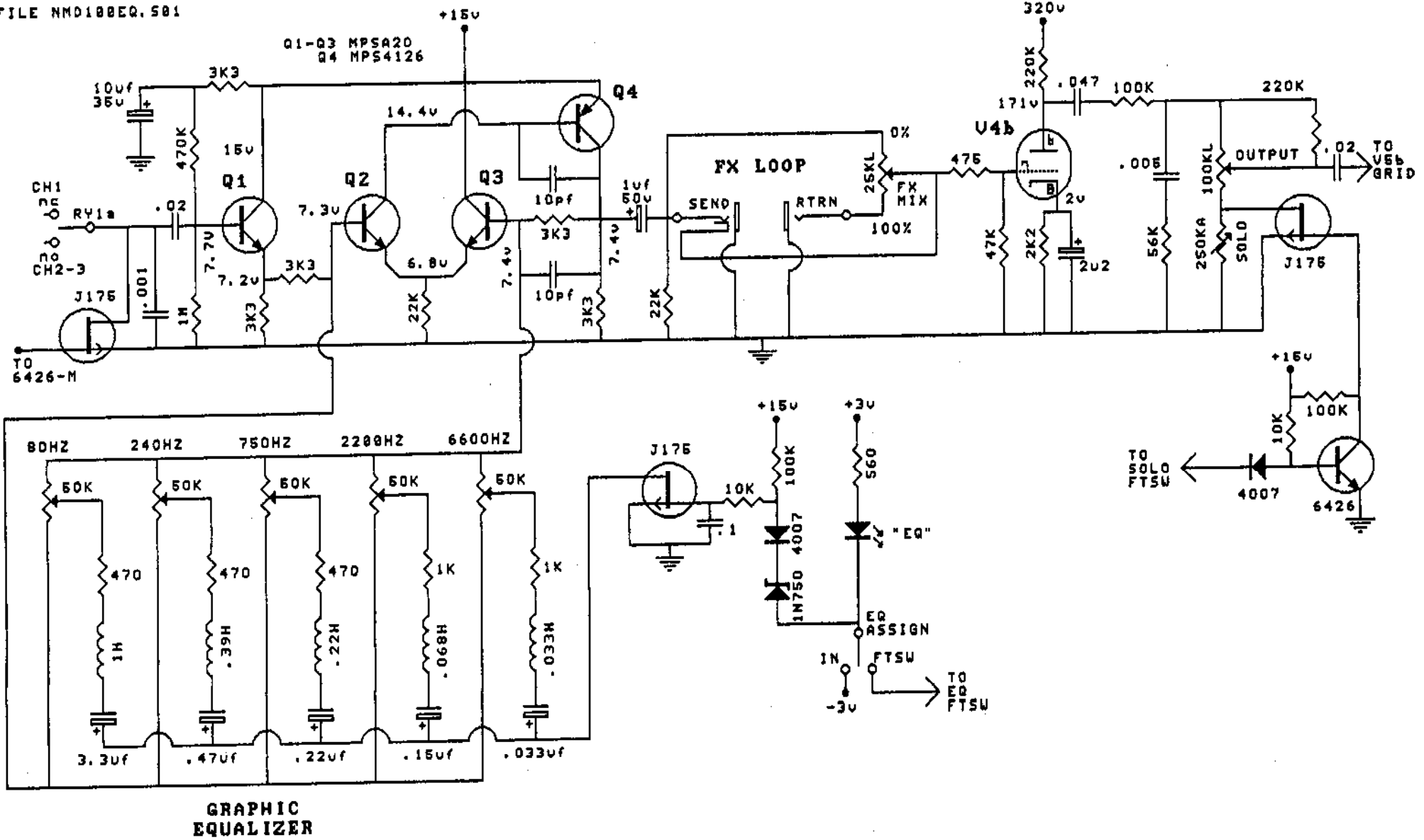
# MESA-BOOGIE NOMAD 100

## POWER SUPPLIES

FILE NMD100SP.S01

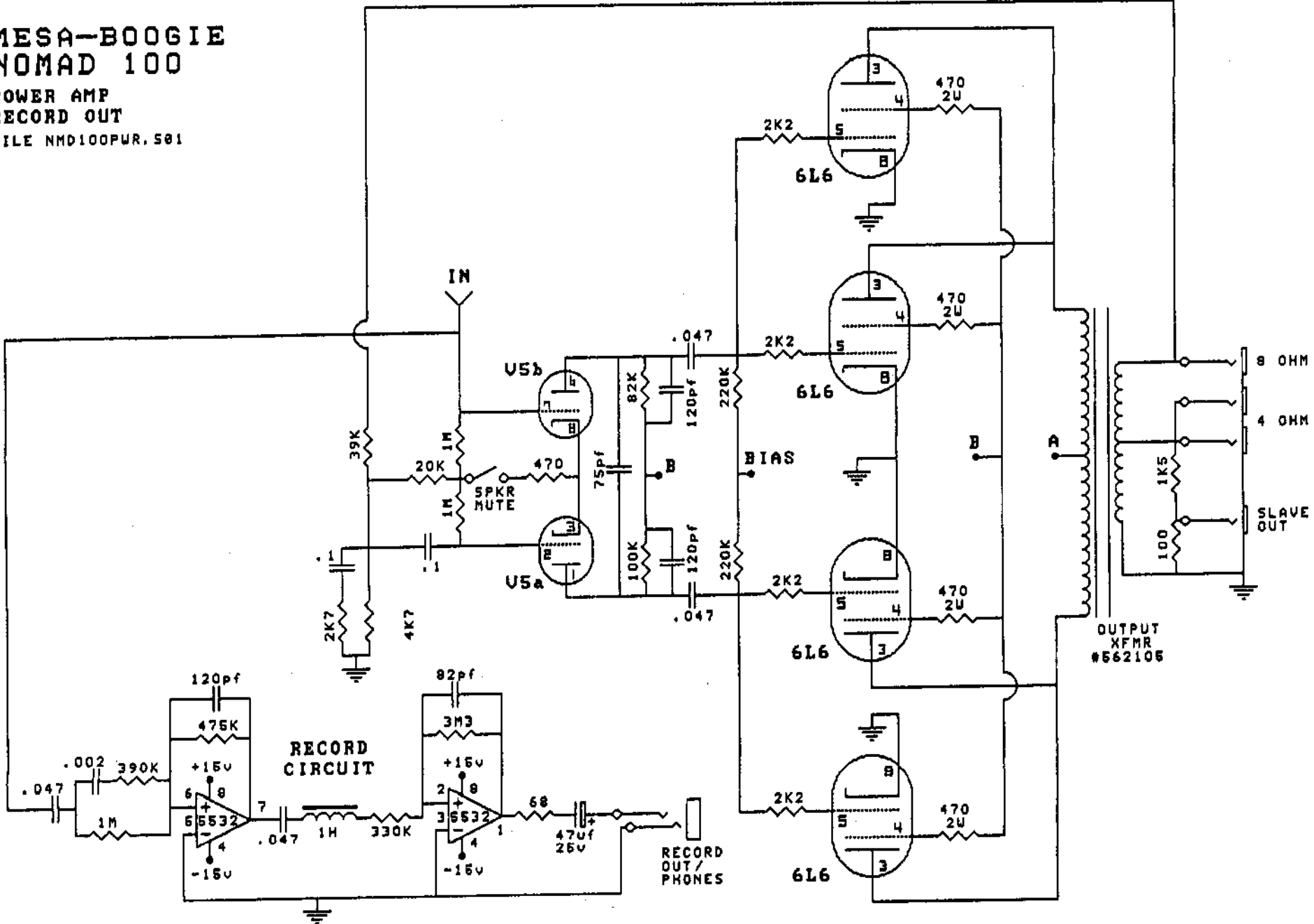


**MESA-BOOGIE**  
**NOMAD 100**  
 GRAPHIC EQ  
 FX LOOP  
 FILE NMD100EQ.501



# MESA-BOOGIE NOMAD 100

POWER AMP  
RECORD OUT  
FILE NMD100PUR.501

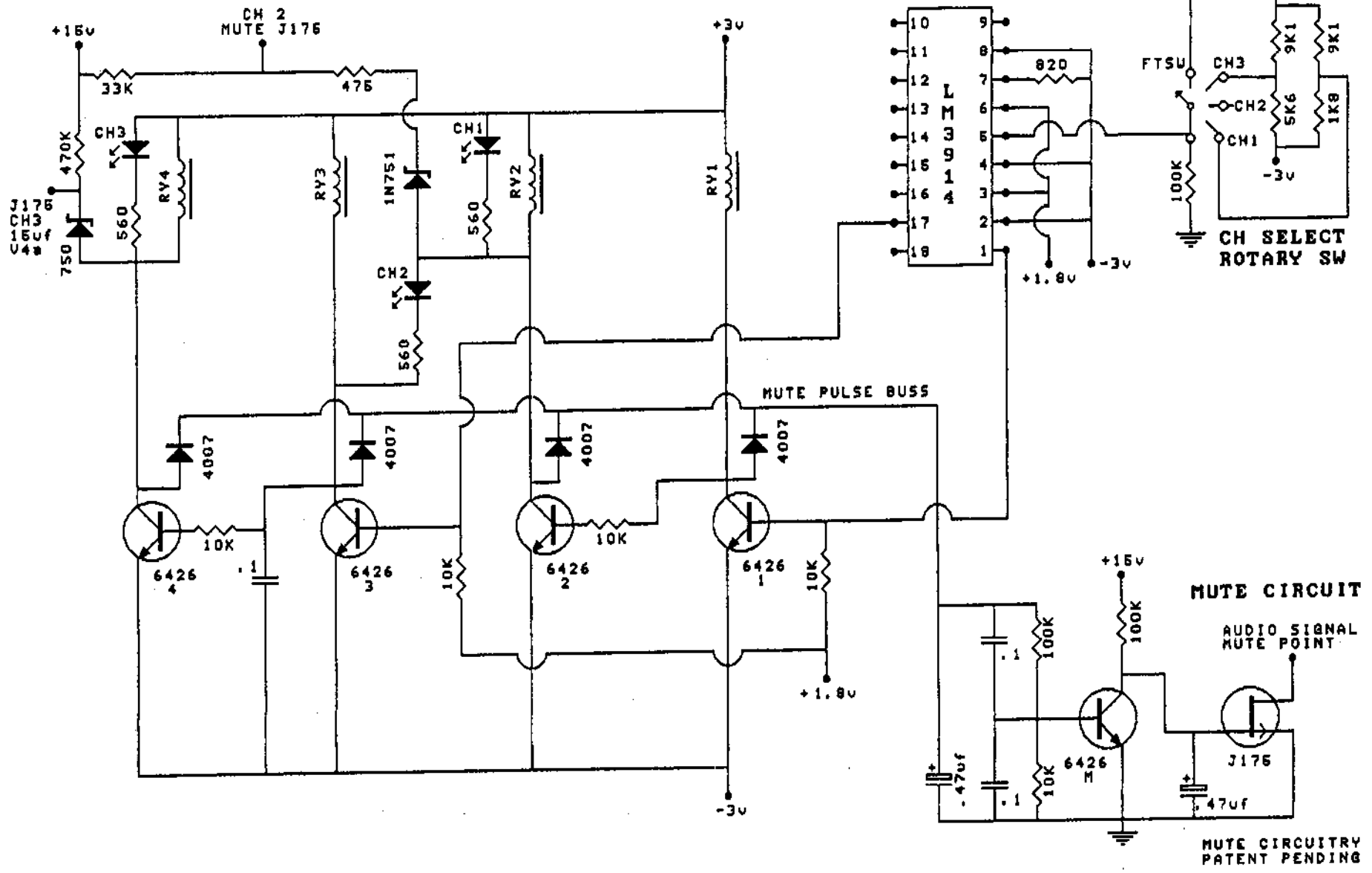


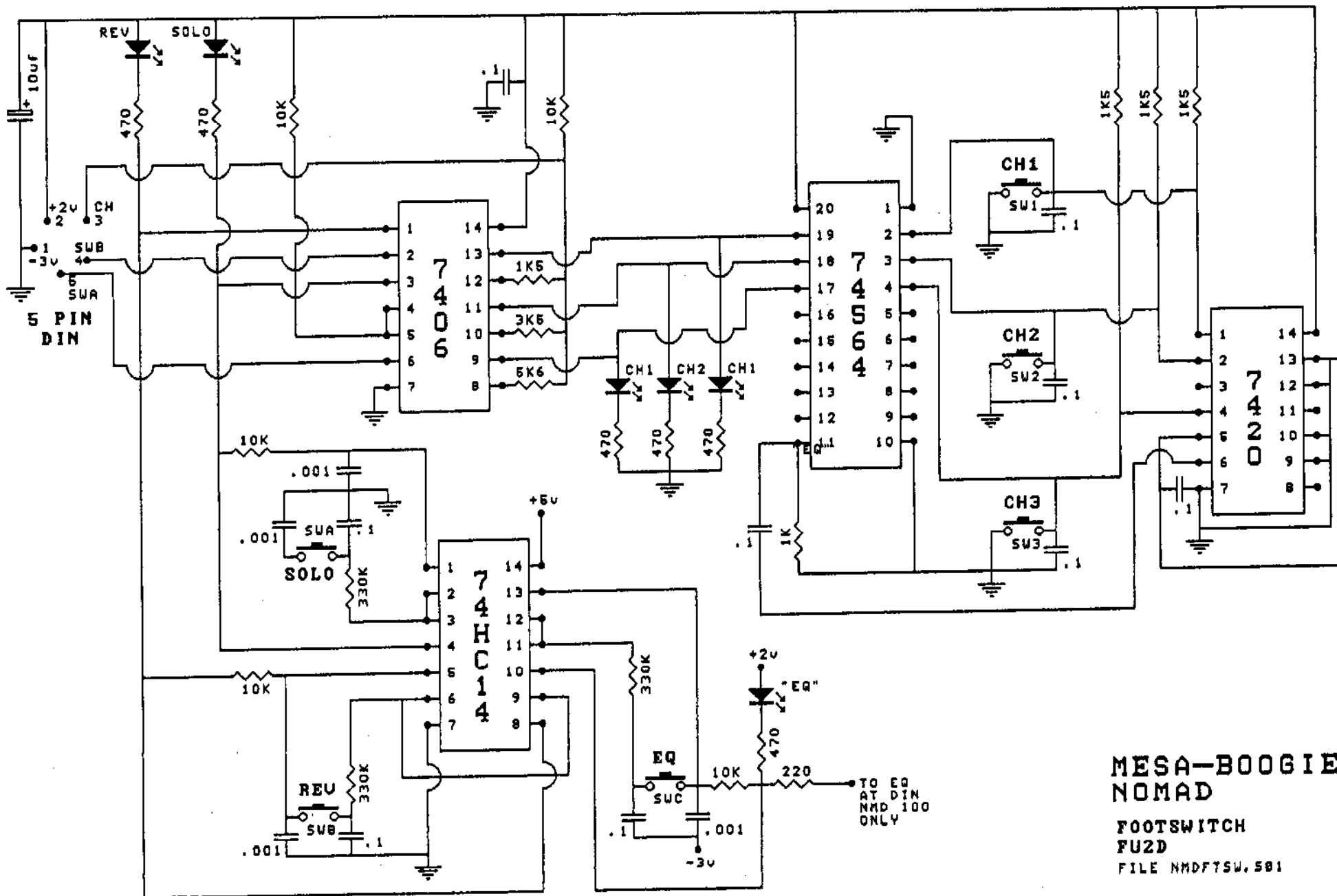


**MESA-BOOGIE  
NOMAD  
SWITCHING MATRIX**  
FILE NMDSU.501

**LM3914 Pin 5 Voltages**

	FTSU	ROTARY
CH1	-2.6V	-2.6V
CH2	1.3V	0V
CH3	-1.6V	-1.4V





**MESA-BOOGIE  
NOMAD**

FOOTSWITCH  
FUZD  
FILE NMDFTSW.581