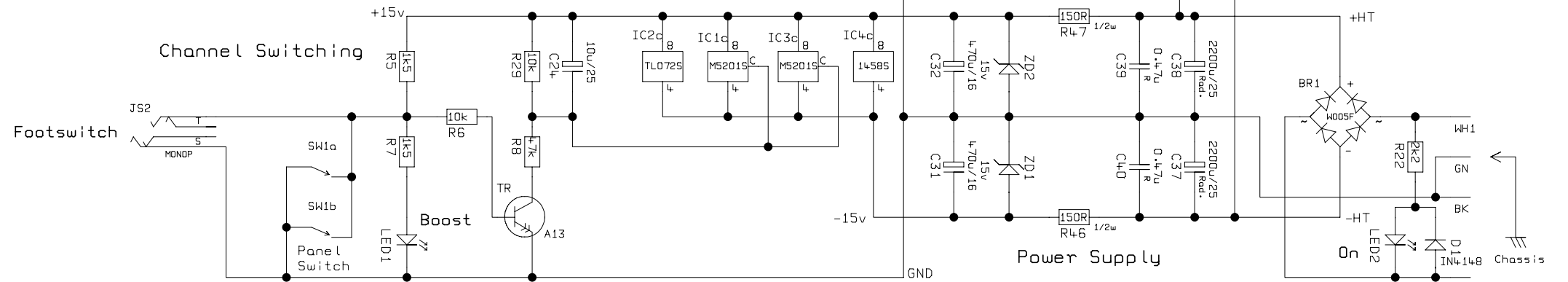


PART NUMBERS:
 TRANSFORMER T5924
 MAINS SWITCH IT4100200

Replace fuse only with same type and rating.



| | | | | | | | | | | | | | |
|-----|--|------------|----------|-------------------|---|----------------------|---|--------------------|--|-------------------------------------|-------------|------------------------------------------------------------------------------------------------------------------------------------------------------|-----------------------------|
| 2 | | 0110 | 20/12/91 | ALL OTHER HOLES = | | X = (THROUGH PLATED) | | MATERIAL | | DIMENSIONS IN | | <p>© MARSHALL AMPLIFICATION PLC DENBIGH ROAD, BLETCHLEY, MILTON KEYNES, MK1 1DQ. TEL (01908) 375411 FAX (01908) 376118</p> | TITLE CCT DIAGRAM |
| ISS | | ECO NUMBER | DATE | A | E | J | N | MATERIAL THICKNESS | | TOLERANCE (UNLESS OTHERWISE STATED) | | | |
| | | | | B | F | K | P | DATE | | | MODEL | | |
| | | | | C | G | L | Q | CHECKED | | | 8020 | | |
| | | | | D | H | M | R | APPROVED | | | | | |