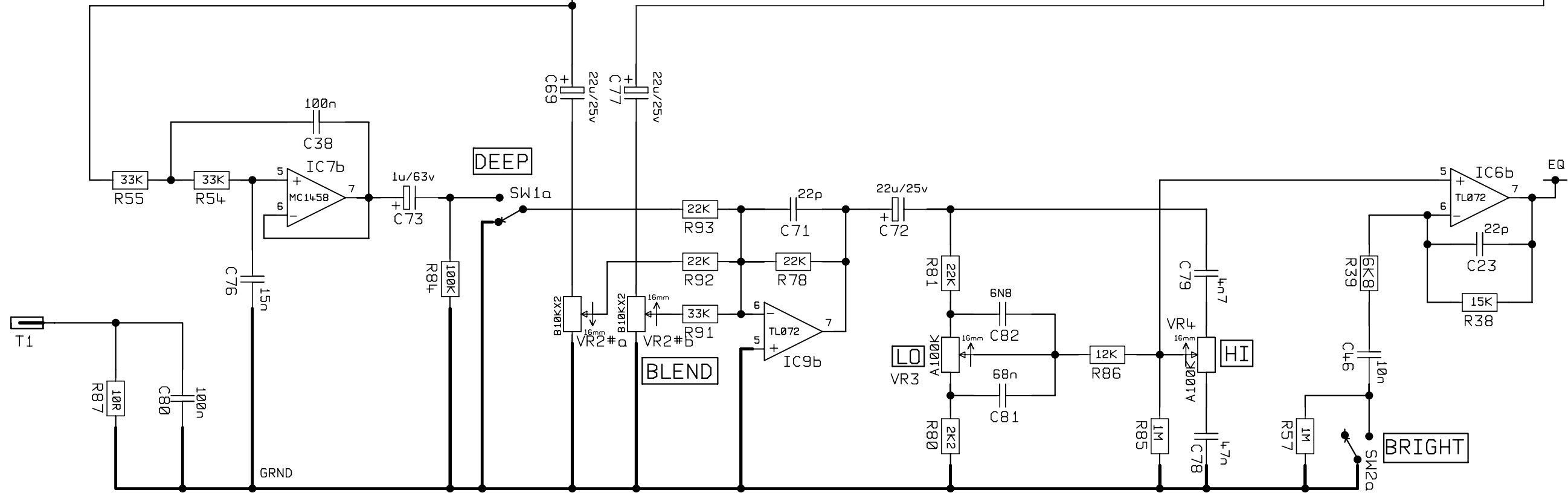
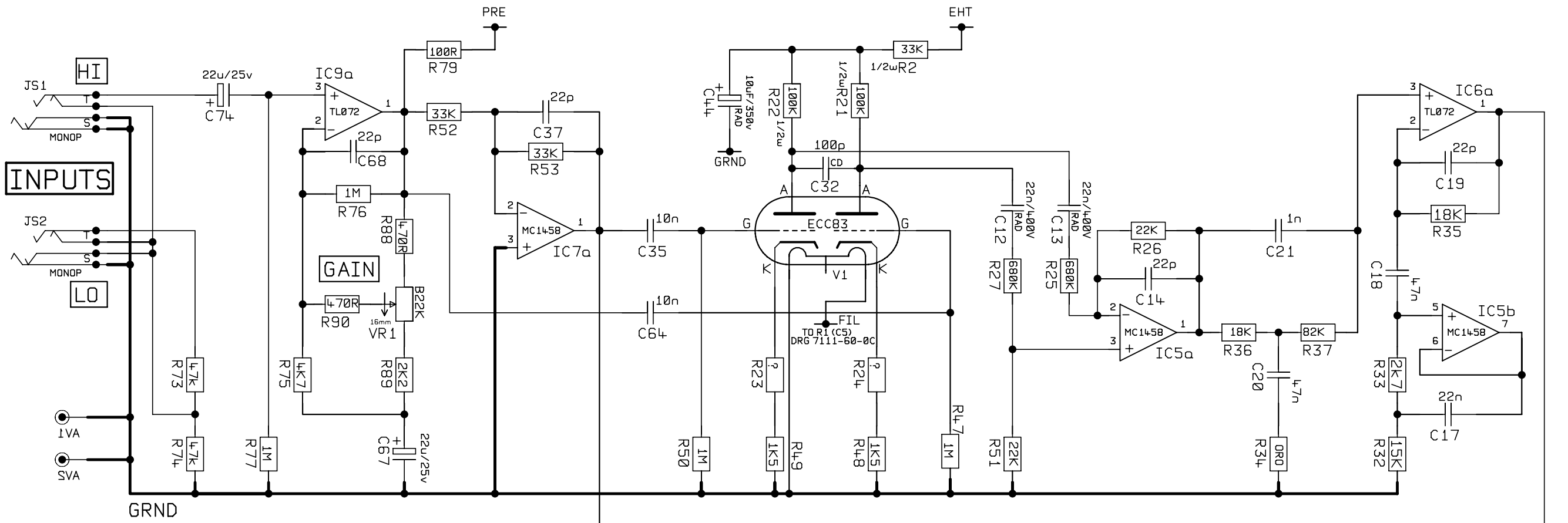


DWG.No. 7111-60-0A

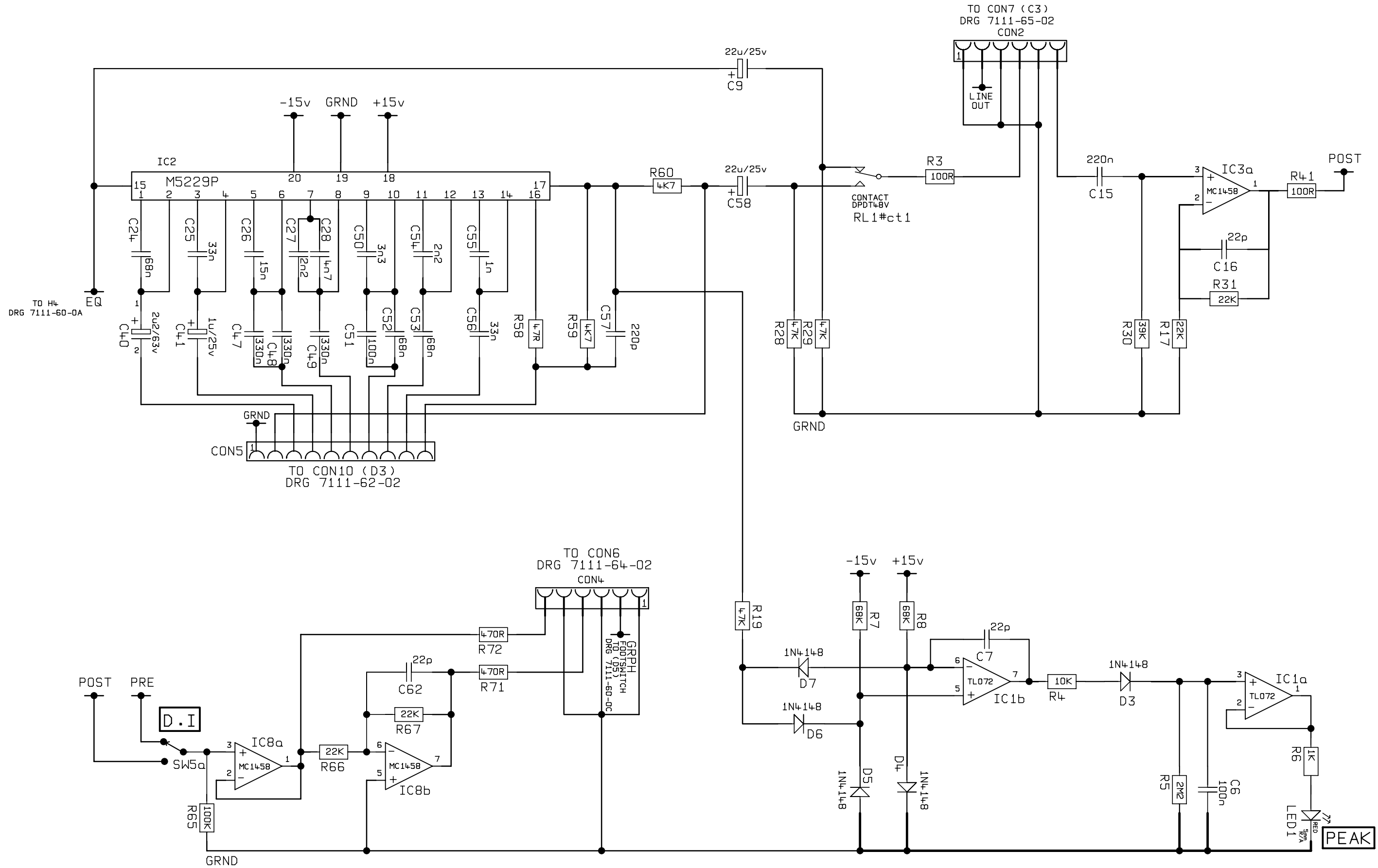


R23,R24 TO BE FITTED WITH A LINK  
 ALL RESISTORS 1/4w UNLESS STATED.  
 SWITCHES ARE SHOWN IN THE OFF POS\*N (OUT)  
 TO R1 (C5) = TO RESISTOR 1 GRID REF C5 DRG 7111-60-0C

		ALL OTHER HOLES =				X = (THROUGH PLATED)				MATERIAL		DIMENSIONS IN		TITLE	
		A	E	J	N	MATERIAL THICKNESS		TOLERANCE (UNLESS OTHERWISE STATED)		MARSHALL		CCT DIAGRAM (PRE-AMP)			
2	0768	07/11/94	B	F	K	P	DRAWN T.FOY	DATE 23/06/94	MODEL		72115, 72410 (BASS)		DWG.No 7111-60-0A		
1	MANUFACTURE RELEASE	18/08/94	C	G	L	Q	CHECKED	DATE	APPROVED		DATE		ISS 2		
ISS	ECO NUMBER	DATE	D	H	M	R									



TO H4  
DRG 7111-60-0A



ALL SWITCHES SHOWN IN OFF POS'N UNLESS INDICATED.(OUT)  
 ALL RESISTORS 1/4W UNLESS STATED.  
 TO CON 6 DRG 7111-64-02 = TO CONNECTOR 6 DRG REF 7111-64-02

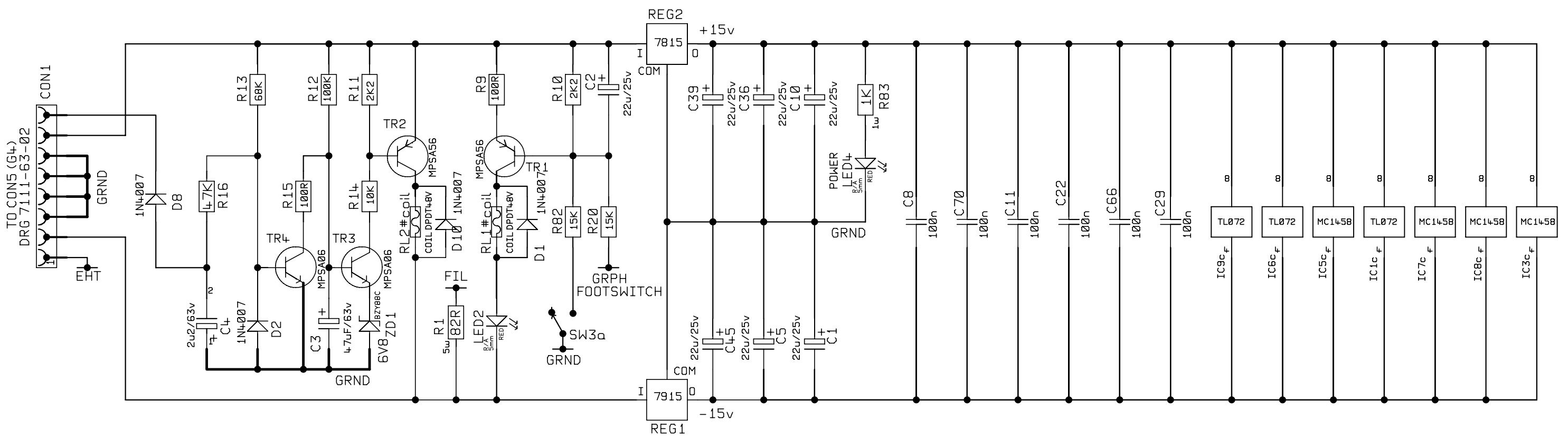
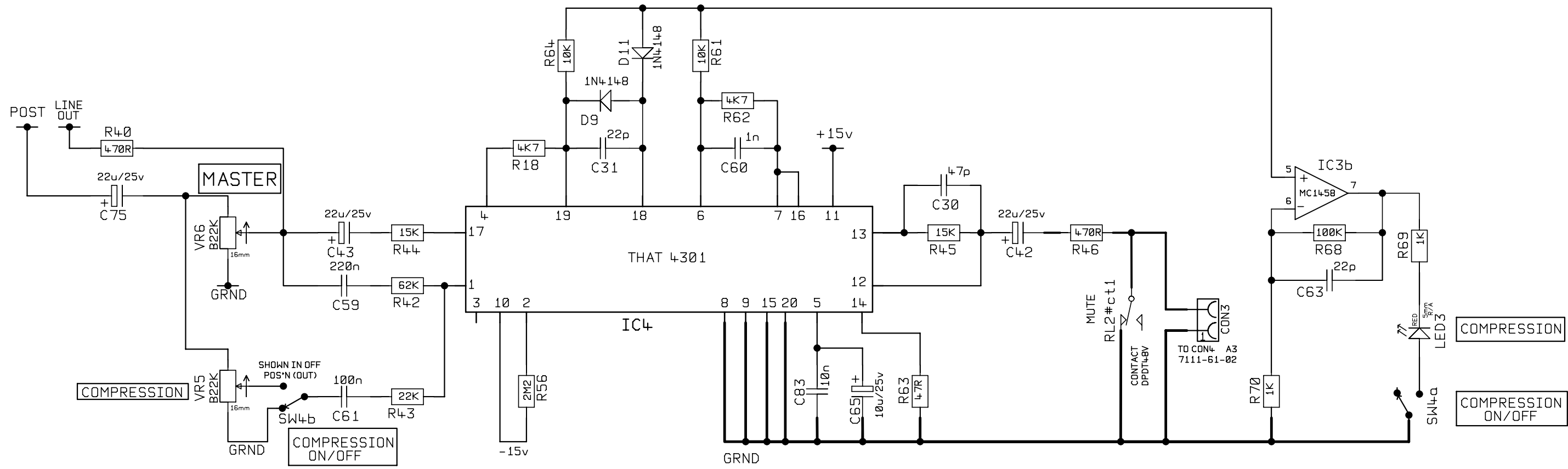
ALL OTHER HOLES =				X = (THROUGH PLATED)			
2	0768	07/11/94	A	E	J	N	
1	MANUFACTURE RELEASE	18/08/94	B	F	K	P	
ISS	ECO NUMBER	DATE	C	G	L	Q	
			D	H	M	R	

MATERIAL THICKNESS		DIMENSIONS IN	
DRAWN T.FOY	DATE 23/06/94	TOLERANCE (UNLESS UTHWISE STATED)	
CHECKED	DATE	MODEL	
APPROVED	DATE	72115.72410 (BASS)	




TITLE CCT DIAGRAM (PRE-AMP)	
DWG.No 7111-60-0B	ISS 2

DWG.No. 7111-60-0C

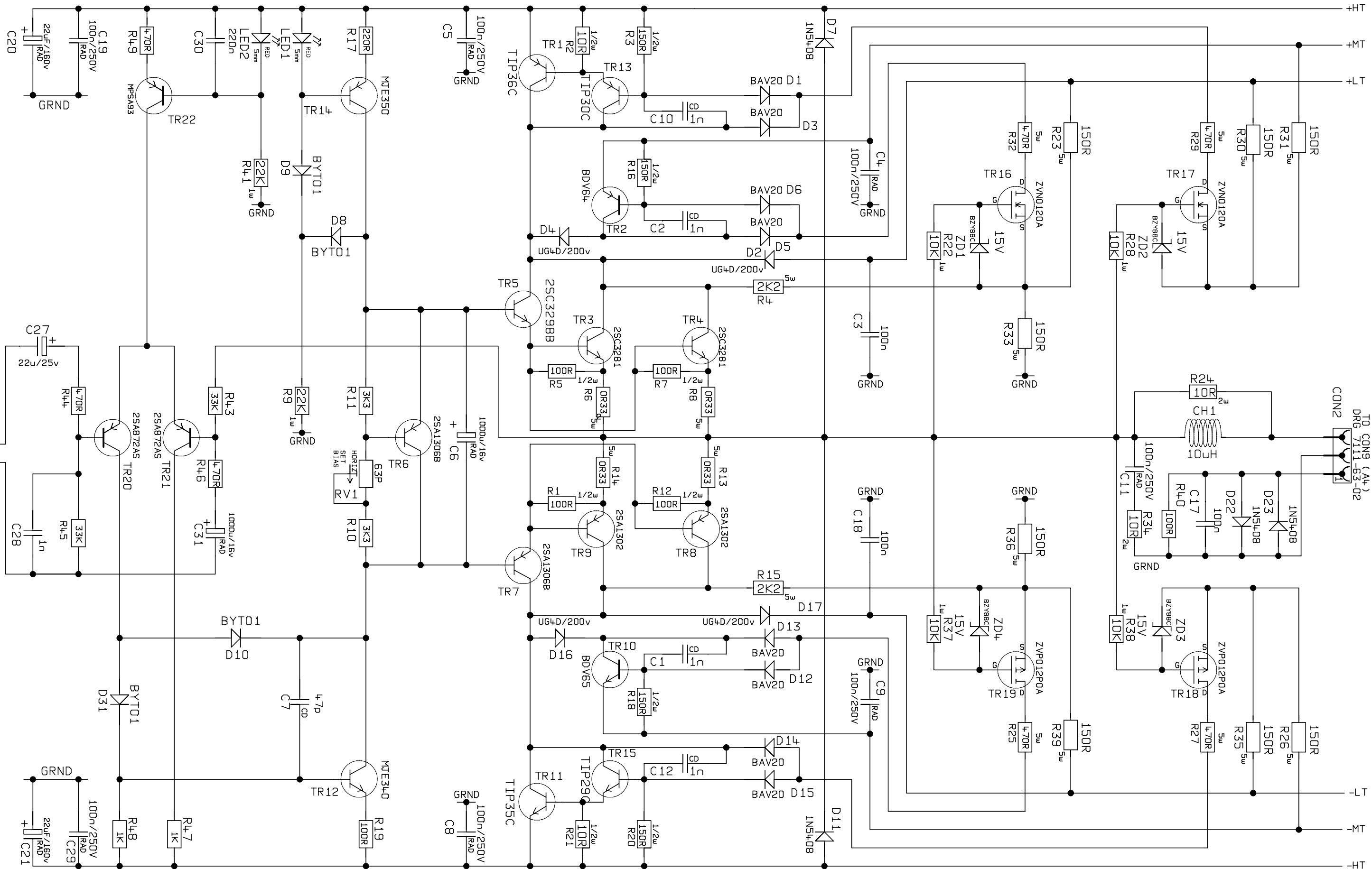


ALL RESISTORS 1/4w UNLESS OTHERWISE STATED.  
 ALL SWITCHES SHOWN IN OFF POS'N.(OUT)  
 TO CON5 (G4)= TO CONNECTOR 5 GRID REF G4 ON DRG 7111-63-02


ALL OTHER HOLES =				X = (THROUGH PLATED)				MATERIAL		DIMENSIONS IN		 TITLE CCT DIAGRAM (PRE-AMP) DWG.No 7111-60-0C ISS 3
3	1074	10/01/96	A	E	J	N	MATERIAL THICKNESS	TOLERANCE (UNLESS OTHERWISE STATED)				
2	0768	07/11/94	B	F	K	P	DRAWN T.FOY	DATE 23/06/94	MODEL			
1	MANUFACTURE RELEASE	18/08/94	C	G	L	Q	CHECKED	DATE	72115,72410 (BASS)			
ISS	ECO NUMBER	DATE	D	H	M	R	APPROVED	DATE				

JIM MARSHALL (PRODUCTS) LTD.  
 DENBIGH ROAD, BLETCHLEY, MILTON KEYNES, MK1 1DQ.  
 TEL (0908)3 75411 FAX (0908)376118

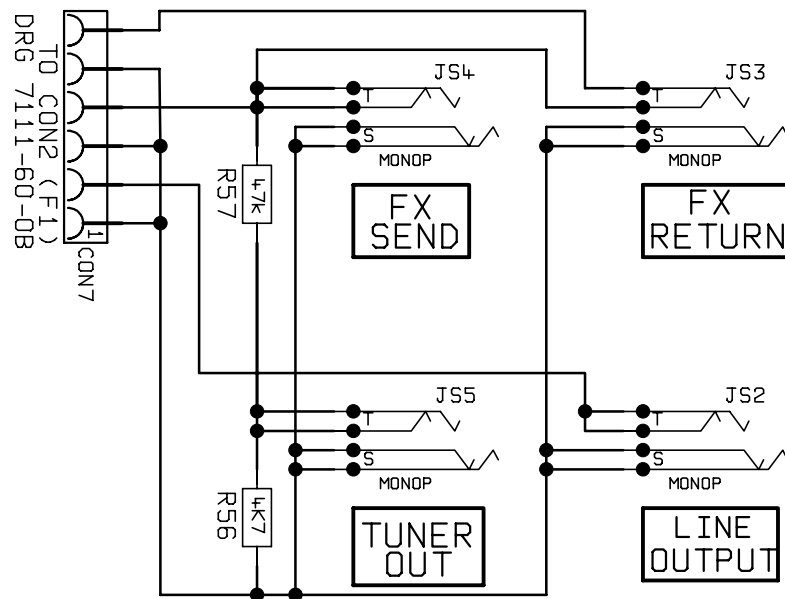
DWG.No. 7111-61-02




NOTE! : TR1,TR11,TR13,TR15,TR20 AND TR21 ARE SELECTED FOR HIGH BREAKDOWN VOLTAGE. USE ONLY MARSHALL REPLACEMENT PARTS FOR SERVICE.

3	0768	07/11/94	A	E	J	N	MATERIAL	DIMENSIONS IN	 © JIM MARSHALL (PRODUCTS) LTD. DENBIGH ROAD, BLETCHLEY, MILTON KEYNES, MK11 10G. TEL (0908)375411 FAX (0908)376118	TITLE	CCT DIAGRAM (POWER AMP)		
2	0721	16/09/94	B	F	K	P	MATERIAL THICKNESS	TOLERANCE (UNLESS OTHERWISE STATED)		DWG.No	7111-61-02	ISS	3
1	MANUFACTURE RELEASE	18/08/94	C	G	L	Q	DRAWN T.FOY	DATE 23/06/94		MODEL	72115, 72410 (BASS)		
ISS	ECO NUMBER	DATE	D	H	M	R	CHECKED	DATE					

DWG.No. 7111-65-02

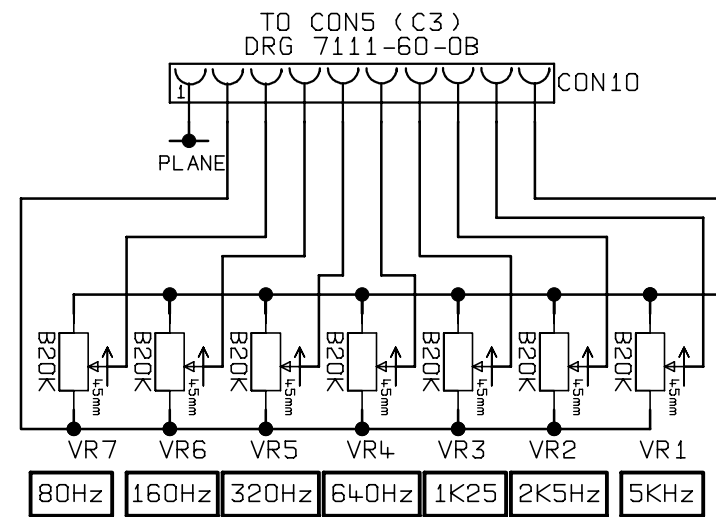


ALL RESISTORS 1/4W UNLESS STATED.  
 TO CON2 (F1) = TO CONNECTOR 2 GRID REF F1 DRG 7111-60-0B


			ALL OTHER HOLES =						X = ( THROUGH PLATED			MATERIAL		DIMENSIONS IN		 © JIM MARSHALL (PRODUCTS) LTD. DENBIGH ROAD, BLETCHLEY, MILTON KEYNES, MK1 1DQ. TEL (0908)375411 FAX (0908)376118		TITLE CCT DIAGRAM (EFFECTS)	
			A		E		J		N		MATERIAL THICKNESS	TOLERANCE (UNLESS OTHERWISE STATED)		DWG.No 7111-65-02				ISS 1	
1	MANUFACTURE RELEASE	18/08/94	B		F		K		P		DRAWN T.FOY	DATE 23/06/94	MODEL 72115.72410						
ISS	ECO NUMBER	DATE	C		G		L		Q		CHECKED	DATE							
			D		H		M		R		APPROVED	DATE							

A B C D E F G H

DWG.No. 7111-62-02

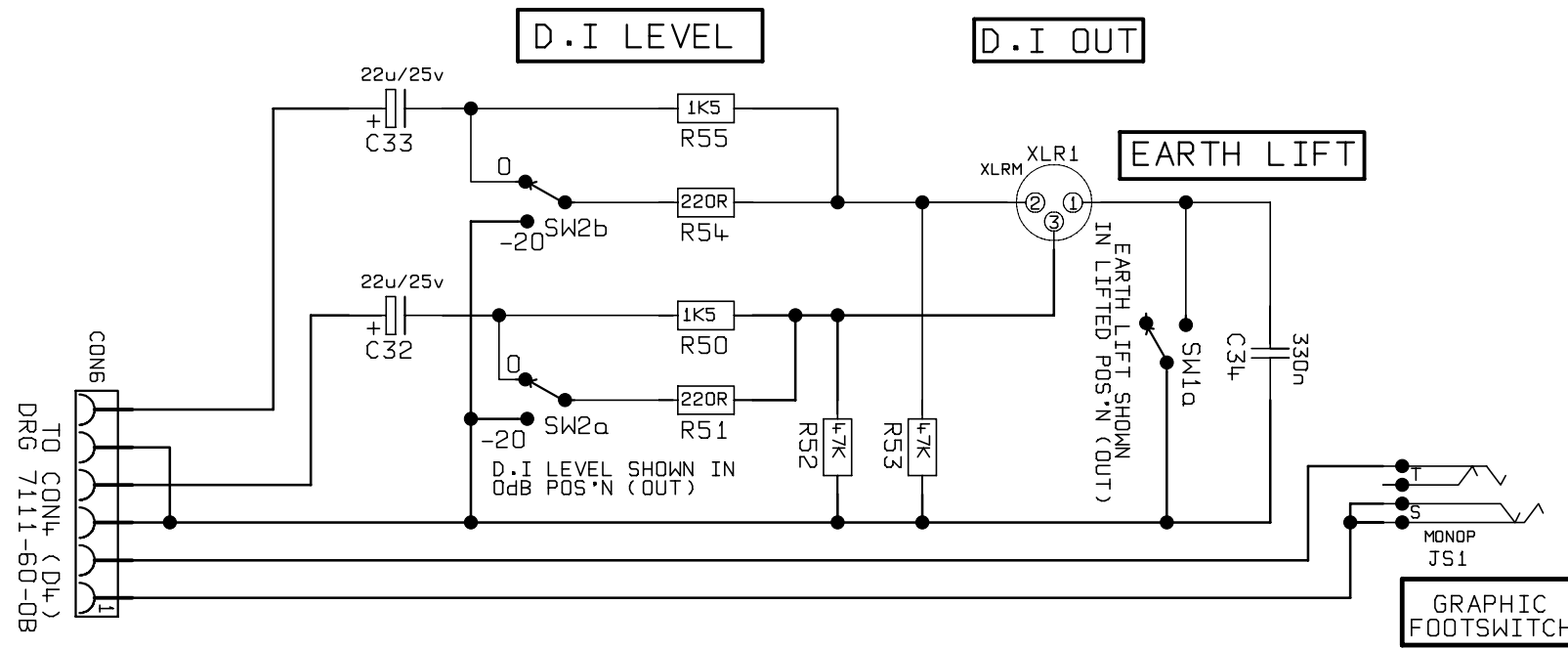


TO CONS (C3) = TO CONNECTOR 5 GRID REF C3 DRG REF 7111-60-0B


		ALL OTHER HOLES =		X = (THROUGH PLATED)		MATERIAL		DIMENSIONS IN		 TITLE CCT DIAGRAM (GRAPHIC)		
		A	E	J	N	MATERIAL THICKNESS		TOLERANCE (UNLESS OTHERWISE STATED)				
		B	F	K	P	DRAWN T.FOY DATE 23/06/94		MODEL		DWG.No 7111-62-02 ISS 1		
1	MANUFACTURE RELEASE	18/08/94	C	G	L	Q	CHECKED DATE		72115.72410 (BASS)			
ISS	ECO NUMBER	DATE	D	H	M	R	APPROVED DATE					

© JIM MARSHALL (PRODUCTS) LTD.  
DENBIGH ROAD, BLETCHLEY, MILTON KEYNES, MK1 1DQ.  
TEL (0908)375411 FAX (0908)376118

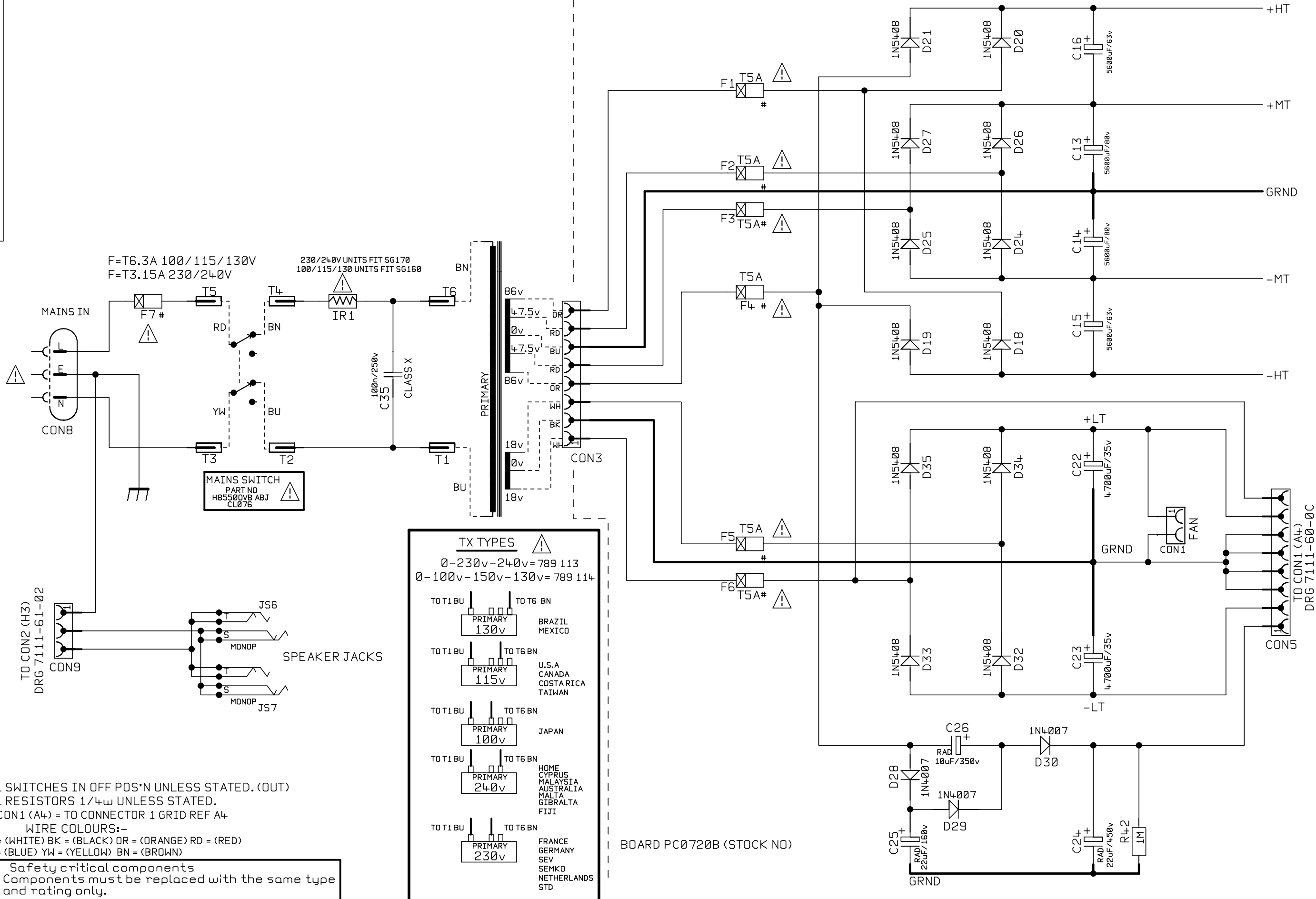
DWG.No. 7111-64-02



ALL SWITCHES SHOWN IN OFF POS'N UNLESS INDICATED.(OUT)  
 ALL RESISTORS 1/4W UNLESS STATED.  
 TO CON4 (D4) = TO CONNECTOR 4 GRID REF D4 DRG 7111-64-02

		ALL OTHER HOLES =		X = (THROUGH PLATED)		MATERIAL		DIMENSIONS IN		 © JIM MARSHALL (PRODUCTS) LTD. DENBIGH ROAD, BLETCHLEY, MILTON KEYNES, MK1 1DQ. TEL (0508)375411 FAX (0508)376118		TITLE CCT DIAGRAM D.I	
		A	E	J	N	MATERIAL THICKNESS		TOLERANCE (UNLESS OTHERWISE STATED)				DWG.No 7111-64-02	
		B	F	K	P	DRAWN T.FOY DATE 23/06/94				ISS			
1		MANUFACTURE RELEASE	18/08/94	C	G	CHECKED DATE		MODEL		72115.72410 (BASS)			
ISS		ECO NUMBER	DATE	D	H	APPROVED DATE							

DWG.No. 7111-63-02



MAINS SWITCH  
PART NO  
H85500VB ABJ  
CL076

TX TYPES	
0-230v-240v= 789 113	BRAZIL MEXICO
0-100v-150v-130v= 789 114	U.S.A CANADA COSTA RICA TAIWAN
TO T1 BU TO T6 BN	JAPAN
TO T1 BU TO T6 BN	HOME CYPRUS MALAYSIA AUSTRALIA MALTA GIBRALTA FIJI
TO T1 BU TO T6 BN	FRANCE GERMANY SEV SEMKD NETHERLANDS STD

ALL SWITCHES IN OFF POS'N UNLESS STATED. (OUT)  
ALL RESISTORS 1/4w UNLESS STATED.  
TO CON1 (A4) = TO CONNECTOR 1 GRID REF A4  
WIRE COLOURS:-  
WH = (WHITE) BK = (BLACK) OR = (ORANGE) RD = (RED)  
BU = (BLUE) YW = (YELLOW) BN = (BROWN)

**!** Safety critical components  
Components must be replaced with the same type and rating only.

ALL OTHER HOLES =		X = (THROUGH PLATED)	
2	0719	A	E
1	MANUFACTURE RELEASE	B	F
ISS	ECO NUMBER	C	G
	DATE	D	H
		J	N
		K	P
		L	Q
		M	R

MATERIAL		DIMENSIONS IN	
MATERIAL THICKNESS		TOLERANCE (UNLESS OTHERWISE STATED)	
DRAWN T.FOY	DATE 23/06/94	MODEL	
CHECKED	DATE	72115,72410 (BASS)	
APPROVED	DATE		



TITLE	
CCT DIAGRAM (P.S.U)	
DWG.No	ISS
7111-63-02	2