

DAUGHTER BOARD CONNECTOR DETAIL TO JMP1-61-00	
YC1	TO R127/CS1 (G2)
	TO R128
	TO R129 (G4)
	TO GND
	TO R124 (G4)
	TO R125/R126 (G4)
	TO IC7 TO P2 E4
	TO R83 (D3)
	TO R84 (D3)
	TO R101 (D3)
	TO GND
	TO R223 (C4)
	TO R85/R123 (C3)
	TO C35/R83 (C3)

ATO TO P3 B1  
 DRY TO P4 C3  
 CL/DO TO P1 E3  
 HT TO P1 C3  
 ATI TO P1 E3  
 BASS\_S  
 CLEAN\_II } TO P5 E3  
 MUTE\_EF }

UNSPECIFIED HOLE DATA		REVISION	
A	H	REVISION NO	
B	J	DATE	
C	K	BY	
D	L	CHECKED	
E	M	DATE	08/04/92
F	N	BY	DMS
G	P	DATE	20.5.92
H		BY	2FB
I		DATE	

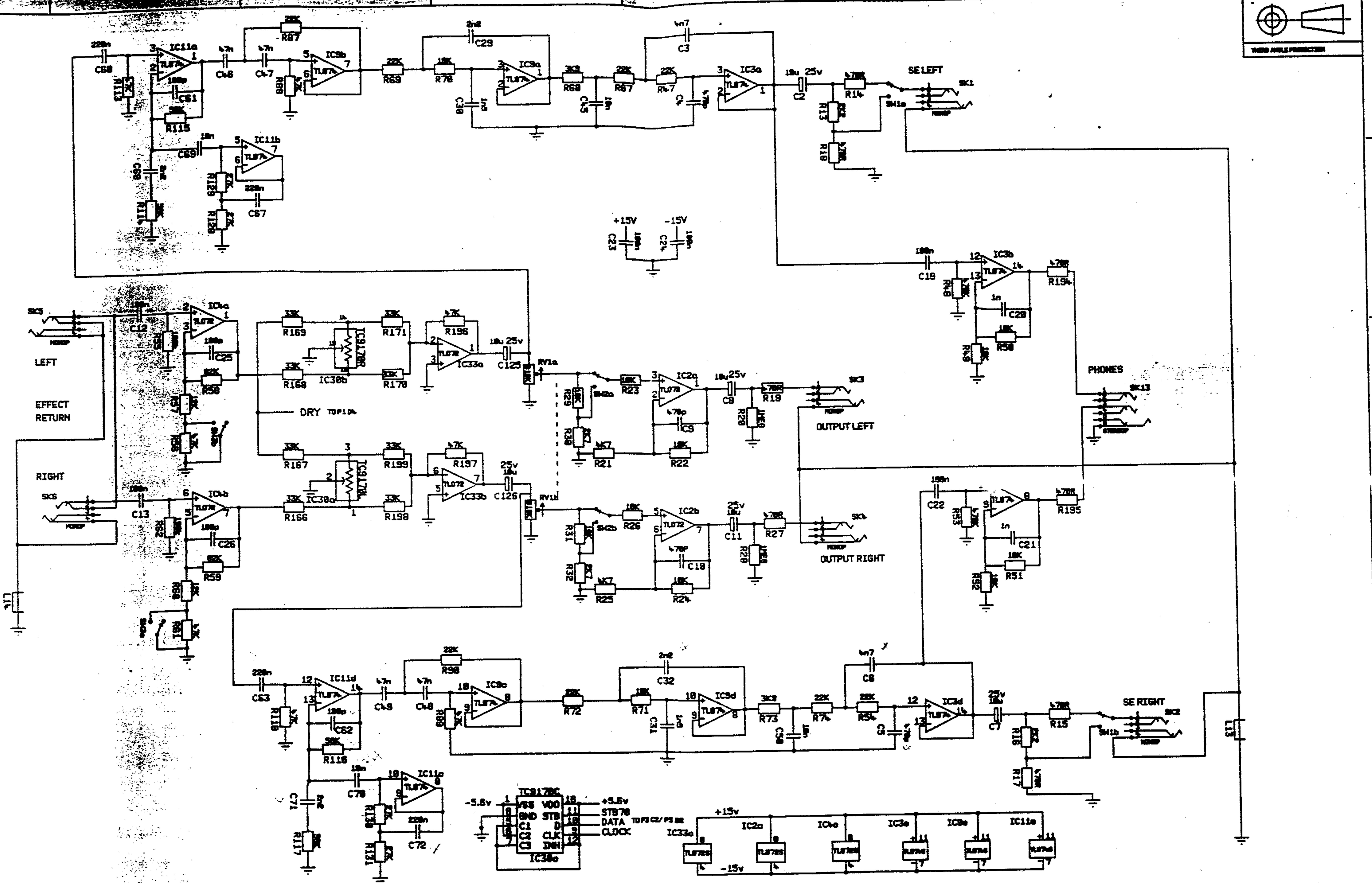
*Marshall*

COPYRIGHT EXCEPT ON THIS DOCUMENT IT MUST NOT BE USED FOR ANY PURPOSE  
 THAN THAT FOR WHICH IT IS SUPPLIED AND MUST NOT BE COPIED (IN WHOLE  
 OR IN PART) WITHOUT WRITTEN PERMISSION FROM  
 © JIM MARSHALL (PRODUCTS) LTD.  
 DENBIGH ROAD, BLETCHLEY, MILTON KEYNES, PCK1 2DB.  
 TEL: (0908 378111 FAX: (0908 378110)

TITLE <b>CHANNEL CCT</b>	
1 OF 6	A2
DWG. No <b>JMP1-61-04</b>	ISSUE <b>1</b>



DWG.No. JMP1-61-04



UNSPECIFIED HOLE DATA			
JA	H		
JB	J		
JC	K		
JD	L		
JE	M		
JF	N		
JG	P		

ISS	ECO NUMBER	DATE	BY	CHKD	APPV

**Marshall**

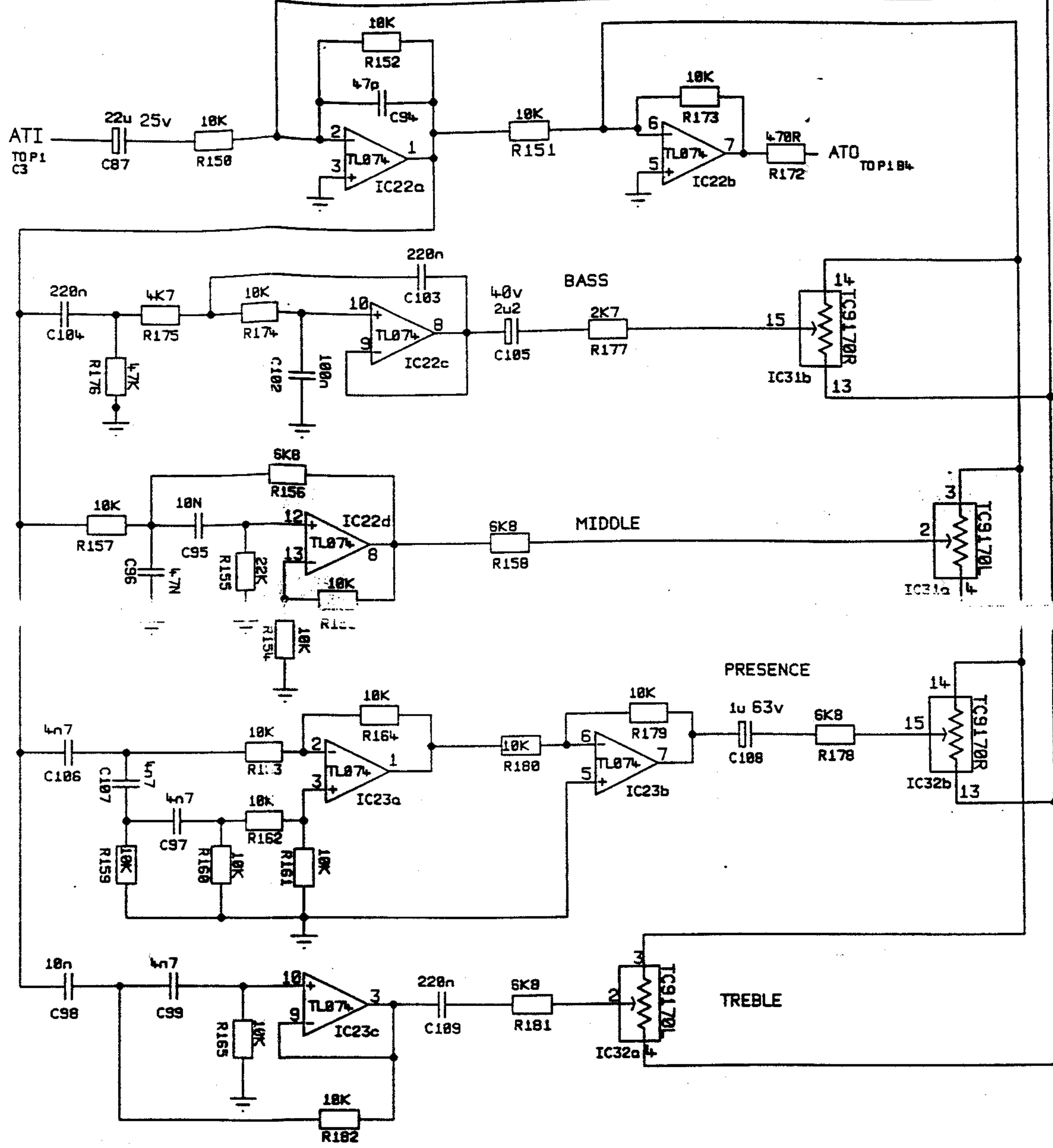
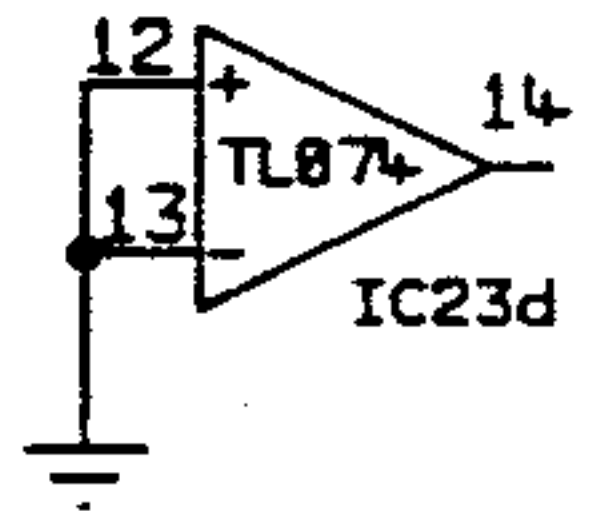
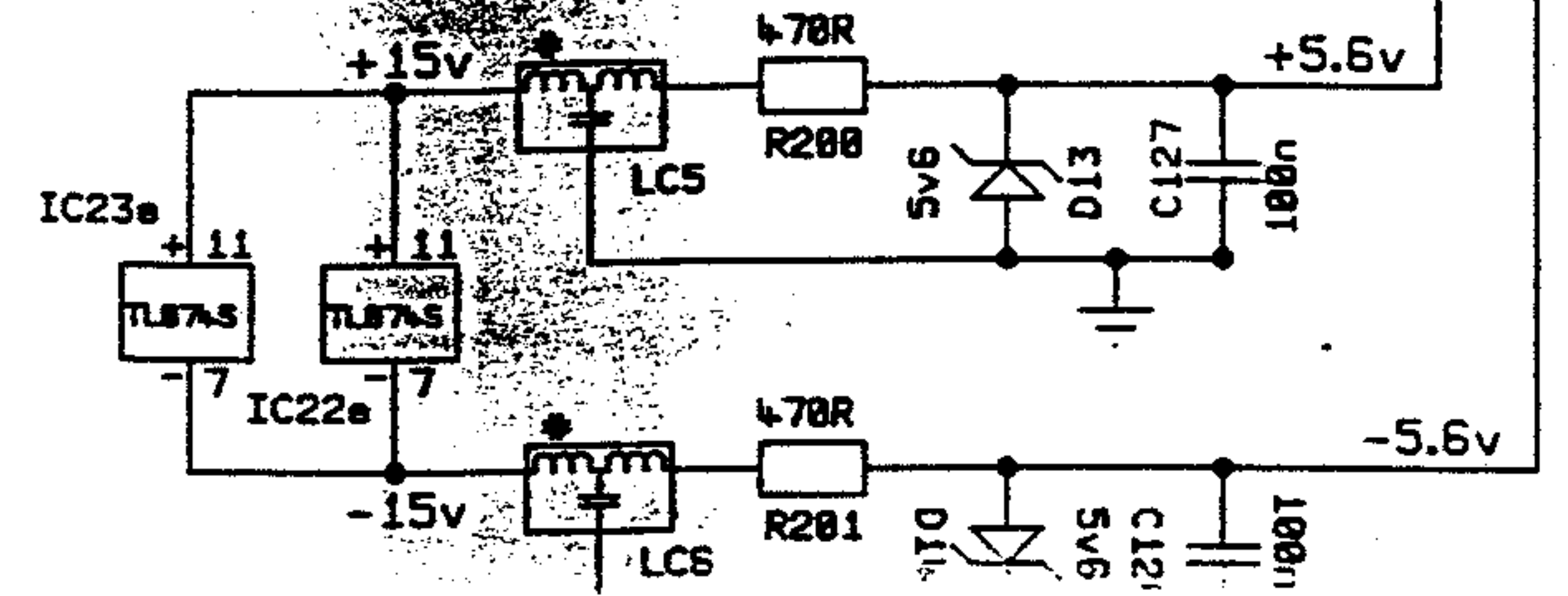
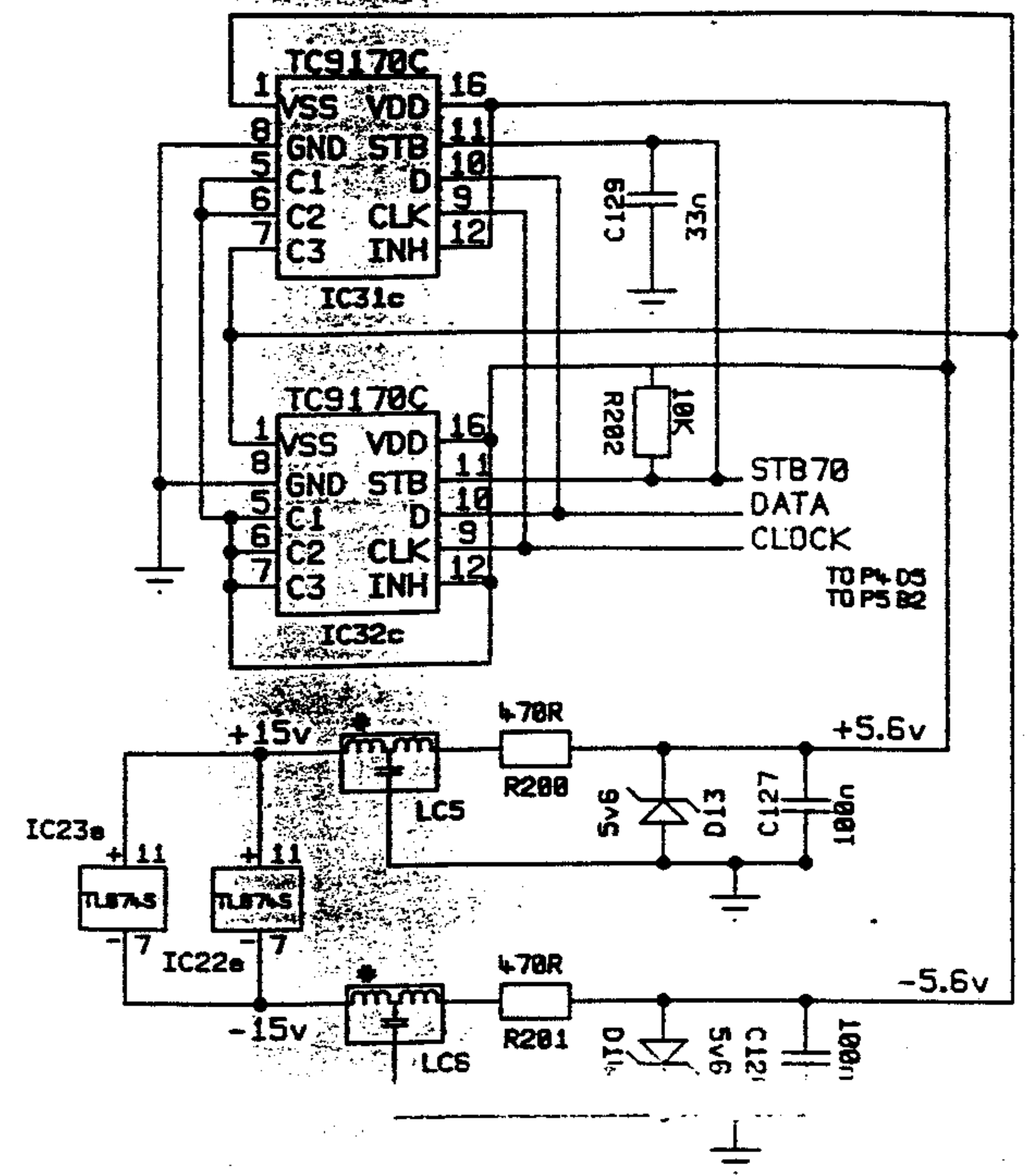
COPYRIGHT EXCEPT ON THIS DOCUMENT, IT MUST NOT BE USED FOR ANY PURPOSE OTHER THAN THAT FOR WHICH IT IS SUPPLIED AND MUST NOT BE COPIED OR WHOLE OR IN PART REPRODUCED WITHOUT PERMISSION FROM  
 © 1992 MARSHALL PRODUCTS LTD.  
 DENHAM ROAD, BLETCHLEY, MILTON KEYNES, MK1 1DB.  
 TEL: 0908370111 FAX: 0908371118

TITLE	
OUTPUT CCT	
4 OF 6	A2
DWG.No	ISSUE
JMP1-61-04	1

A B C D E F G H



DWG. NO. JMP1-61-04



TO P4 D5 - PAGE 4, GRID REFERENCE D 5

UNSPECIFIED HOLE DATA				MATERIAL		DEPENDENCIES IN		TITLE	
A	H			MATERIAL TOLERANCES	TOLERANCE UNLESS OTHERWISE STATED		ACTIVE TONE CCT		
B	J			EXTERNAL BEND RADIUS	DIMENSIONAL		3 OF 6		
C	K			EXTERNAL S/A	CENTRES		A3		
D	L			BEND BOX	ANGULAR		DWG.No		
E	M			DRAWN T.F.	DATE	87/04/92	JMP 1		
F	N			CHECKED <i>DYS</i>	DATE		ISSUE		
G	P			APPROVED <i>D.E.B.</i>	DATE	20-5-92	JMP1-61-04		
ISS	ECO NUMBER	DATE					1		

**Marshall**

COPYRIGHT RESERVED BY THIS DOCUMENT. IT MUST NOT BE REPRODUCED FOR ANY PURPOSE OTHER THAN THAT FOR WHICH IT IS SUPPLIED AND MUST NOT BE COPIED OR REPRODUCED OR IN PART WITHOUT WRITTEN PERMISSION FROM MARSHALL ELECTRONICS LTD.

JMP1-61-04  
ISSUE 1

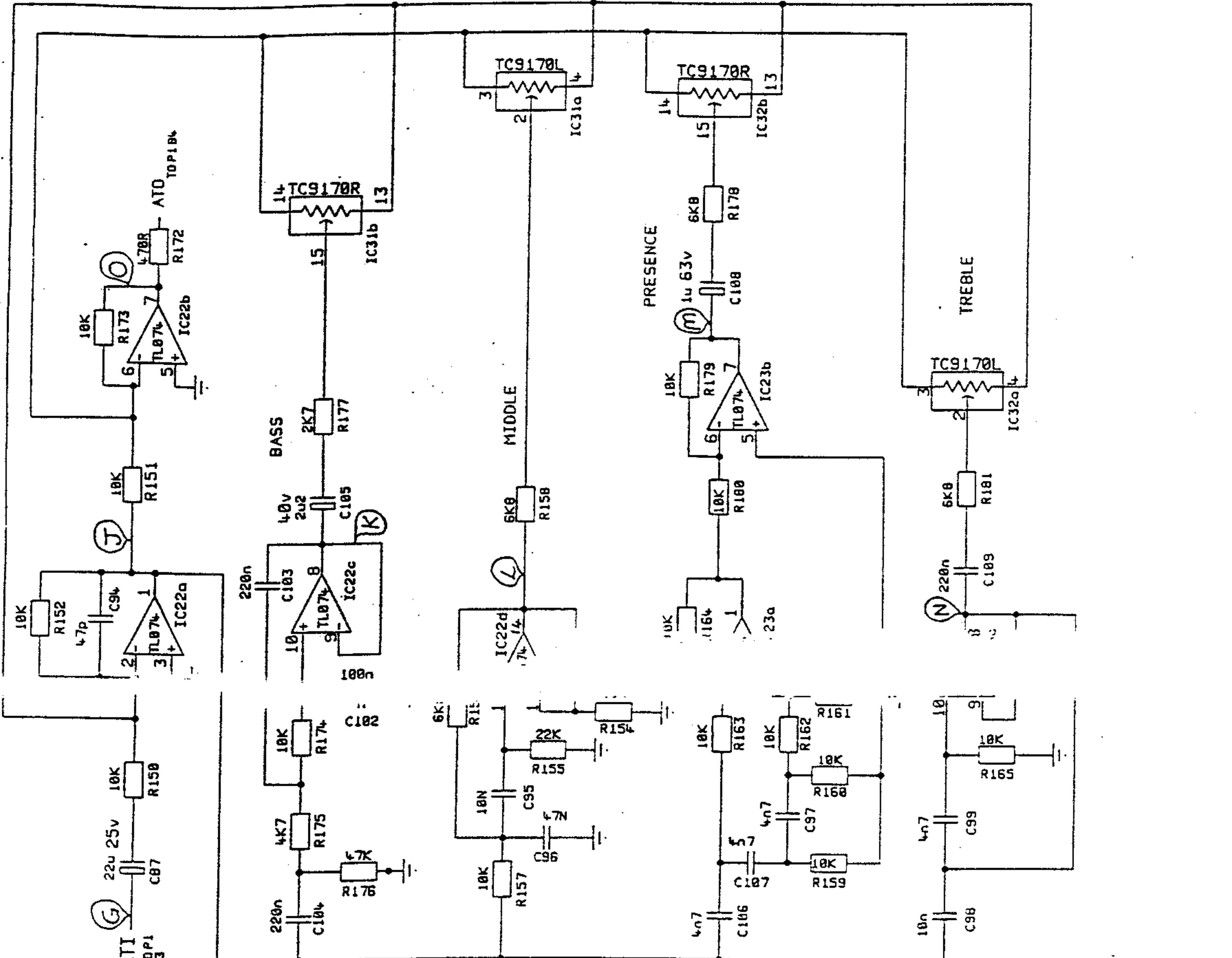


CCT	PCB	SL	MD	S/N	ECO/N	DATE	CCT	PCB	SL	MD	S/N	ECO/N	DRN	CCT	PCB	SL	MD	S/N	ECO/N
1/2	2	3	/	2022/16		7/14/92	20/1/92	20/1/92	6/10/92	9/10/92			T.F.	M.S.	T.F.	P.W.	O.H.		

COPYRIGHT EXISTS ON THIS DOCUMENT. IT MUST NOT BE USED FOR ANY PURPOSE OTHER THAN THAT FOR WHICH IT IS SUPPLIED AND MUST NOT BE COPIED OR DISCLOSED (ON WHOLE OR PART)  
WITHOUT WRITTEN PERMISSION FROM  
JIM MARSHALL (PRODUCTS) LIMITED,  
DENBIGH ROAD, BLETCHLEY, MILTON KEYNES, MK1 1DQ.  
TEL (0908) 375411 FAX (0908) 375411

Marshall

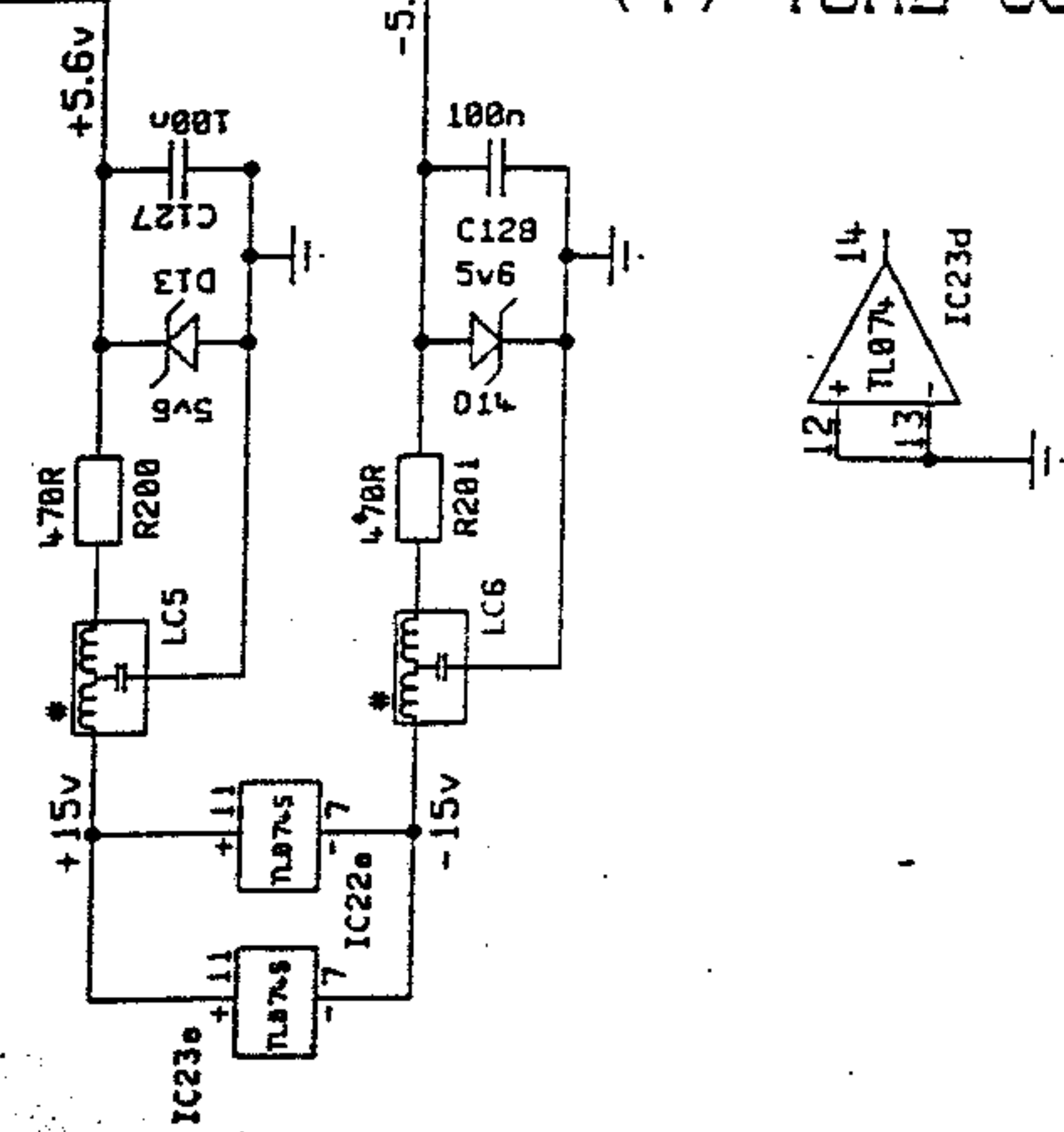
SERVICE DATA  
**JMP 1**



KEY WAVEFORMS

DESCRIPTION	TEST POINT	CLEAN-1 CHANNEL WAVE FM./VOLT	CLEAN-2 CHANNEL WAVE FM./VOLT	OD-1 CHANNEL WAVE FM./VOLT	OD-2 CHANNEL WAVE FM./VOLT
I/P IC19a	A				
PIN 3					
O/P IC19b	B				
PIN 7					
I/P VB2a	C				
C85/R125					
O/P VB2a	D				
R126					
O/P VB2b	E				
C51/R92					
O/P IC12c	F				
PIN 4					
O/P IC18	G				
PIN 5					
O/P VB1a	H				
R63/R81					
O/P IC22a	J				
PIN 1					
O/P IC22c	K				
PIN 8					
O/P IC22d	L				
PIN 14					
O/P IC23b	M				
PIN 7					

(1) TONE CCT & WAVEFORMS.



PIN 9					
O/P IC22b	O				
PIN 7					
O/P VOL	P				
C111/R34					
O/P IC33a/b	Q				
PIN 1/7					
O/P IC2a/b +4dB	R				
PIN 1/7 -10dB	S				
O/P IC4a/b +4dB	T				
PIN 1/7 -10dB					
O/P IC11a/d					
PIN 1/14					

