

- NOTES**
1. P.C.B. JM 99 Ins D
 2. μ F denotes MicroFarads
 3. All capacitors in microfarads unless otherwise stated.
 4. All resistors 1/4 watt.
 5. IC1.2 - TL072
IC3.4 - MC1458

DRAWING NUMBER

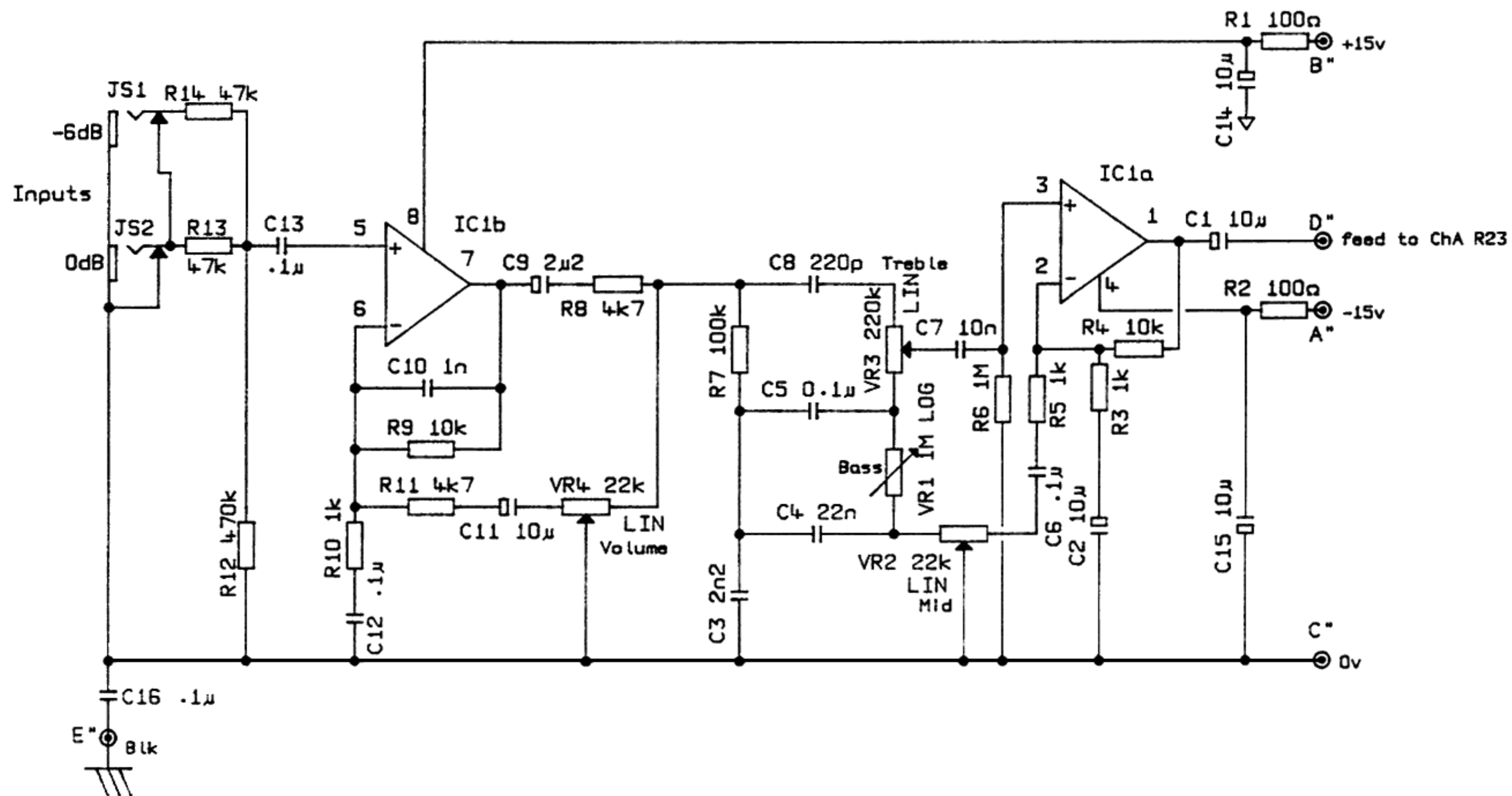
5213
ChA Preamp Board

5	19-9-89	CPV
4	4-11-88	CPV
3	16-5-88	CPV
2	11-6-86	R.S.
1	23-1-86	S.S.
ISS.	DATE	DRN.

MARSHALL

JIM MARSHALL PRODUCTS LTD
DENBIGH ROAD
BLETCHLEY
MILTON KEYNES
MK1 1DD ENGLAND
File: 5213A.DGM





NOTES

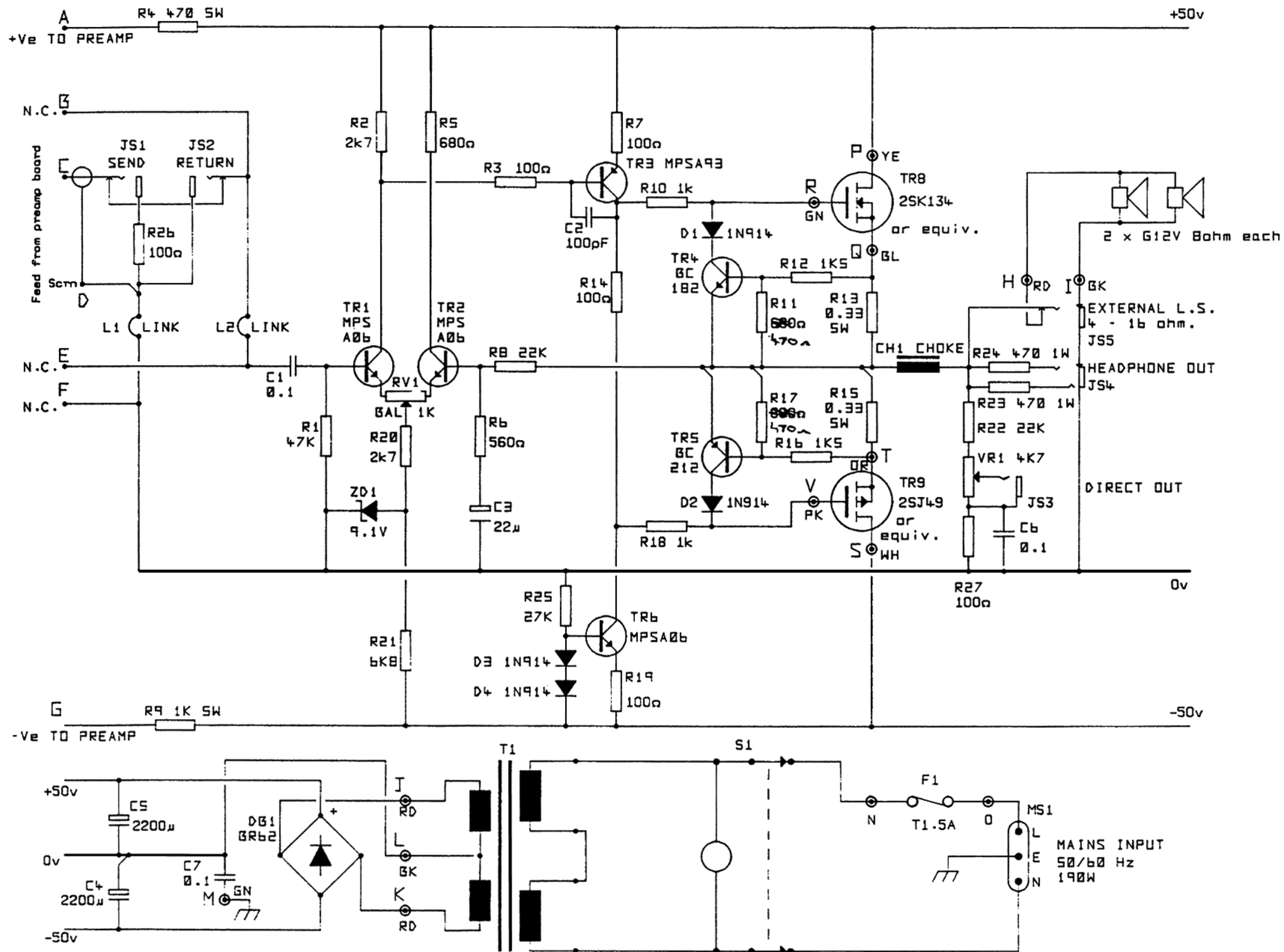
PCB: JM102
 IC1: MC1458

3	16-5-88	CPV
2	10-6-86	R.S.
ISS.	DATE	DRN.

DRAWING NUMBER
5213 STD
 ChB Preamp Board

MARSHALL
 JIM MARSHALL
 PRODUCTS LTD.
 BLETCHLEY
 MILTON KEYNES
 ENGLAND
 File: 5213B.DGM





- NOTES**
1. All Resistors 1/4W unless stated
 2. All Capacitors microfarad unless stated.

2	16-5-88	CPV
1	21-5-86	R.S.
ISS.	DATE	DRN.

DRAWING NUMBER
5213 STD
 PSU & Output

MARSHALL

JIM MARSHALL
 PRODUCTS LTD.
 GLETCHELEY
 MILTON KEYNES
 ENGLAND
 File: 5213PSU.DGM