

Notes:

- PCBs: Preamp JMS40
- on pots indicates clockwise
- All ICs MC1485
- A-G refer to tags on preamp PCB

4	16-5-88	CPV
3	4-6-86	R.S.
2	10-5-85	
ISS.	DATE	DRN.

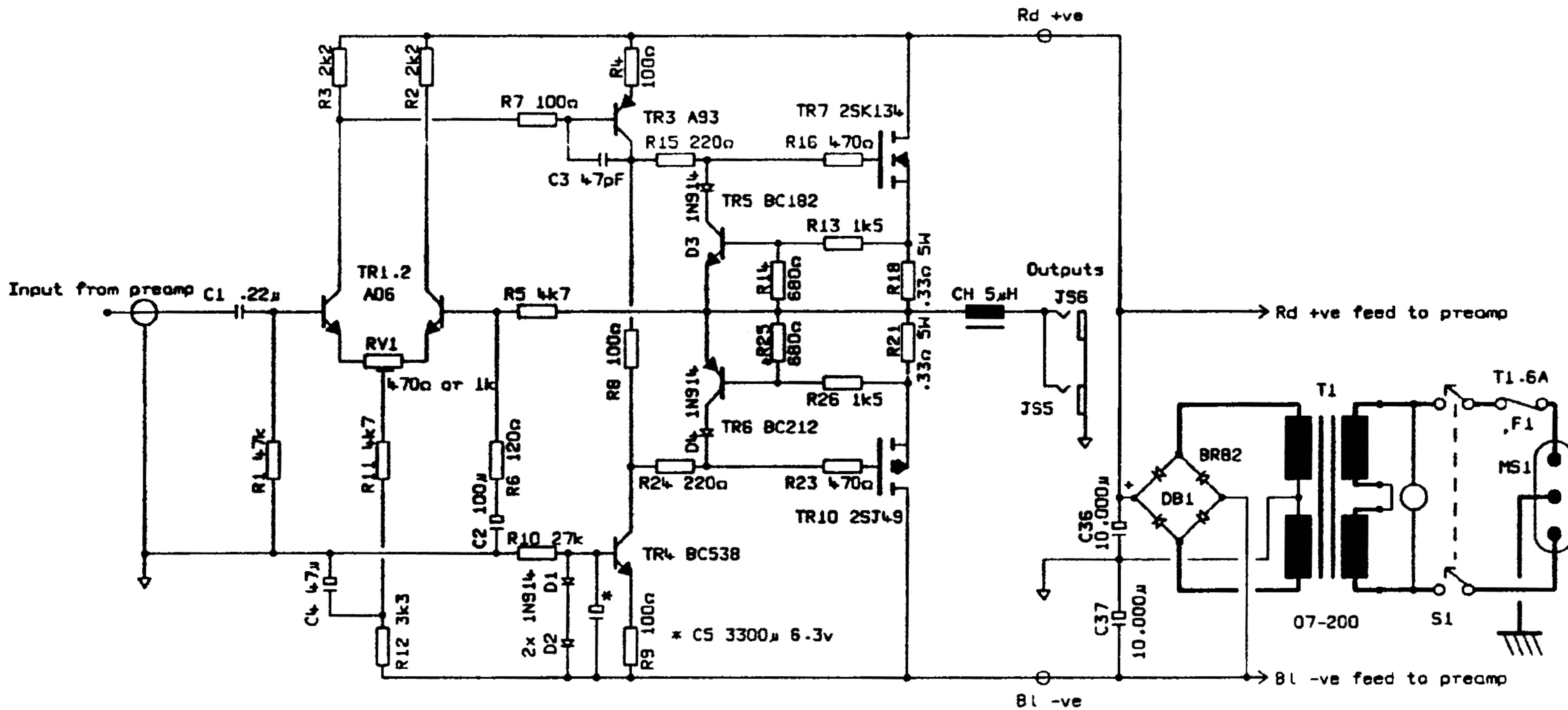
DRAWING NUMBER  
**3510** STD  
 Preamp

**MARSHALL**  
 JIM MARSHALL  
 PRODUCTS LTD.  
 BLETCHLEY  
 MILTON KEYNES  
 ENGLAND  
 File: 3510PRE.DGM

NOTES

PCBs: DB1 on JM92C.  
Power stage on JM89D

TR1.2 are type MPSA06S  
gain selected



3	27-4-88	CPV
2	4-6-86	R.S.
1	21-6-85	S.G.
ISS.	DATE	DRN.

DRAWING NUMBER  
**3510** STD  
PSU & Output Stage

**MARSHALL**  
JIM MARSHALL  
PRODUCTS LTD.  
BLETCHLEY  
MILTON KEYNES  
ENGLAND  
File: 3510PWR.DGM