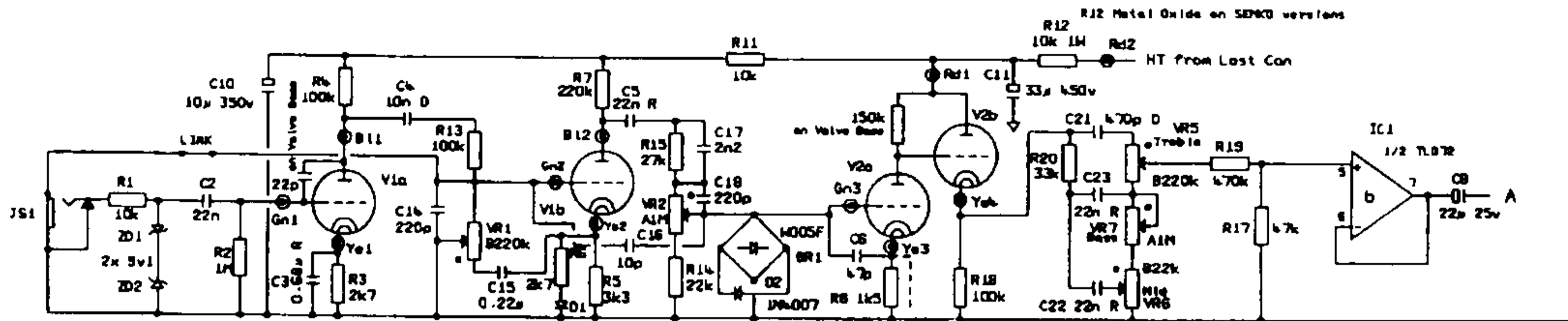


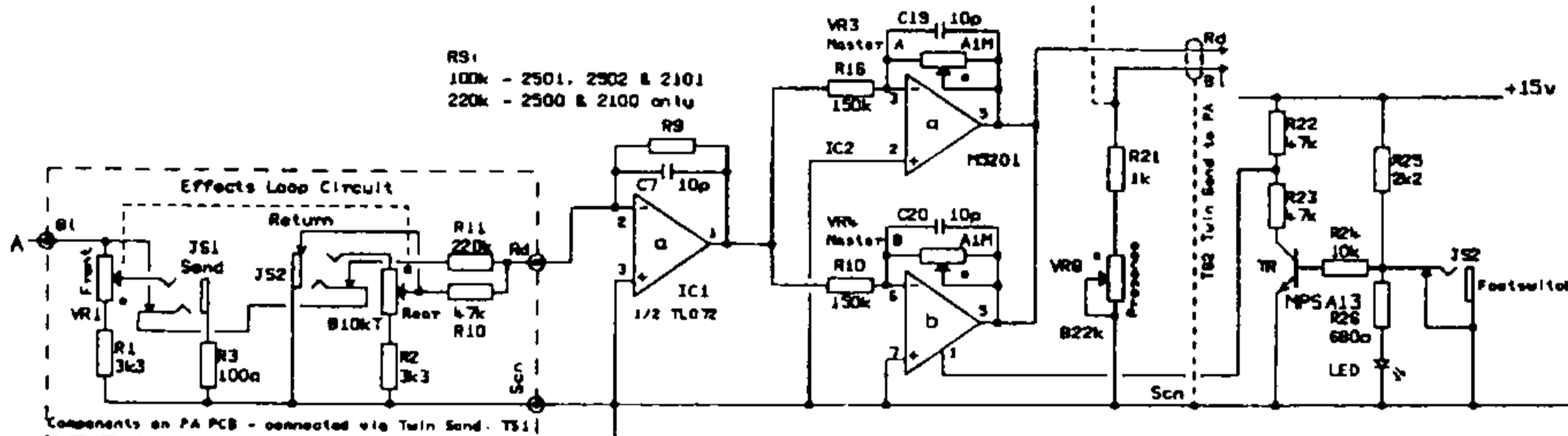
Models: 2500, 2501, 2502, 2100 & 2101



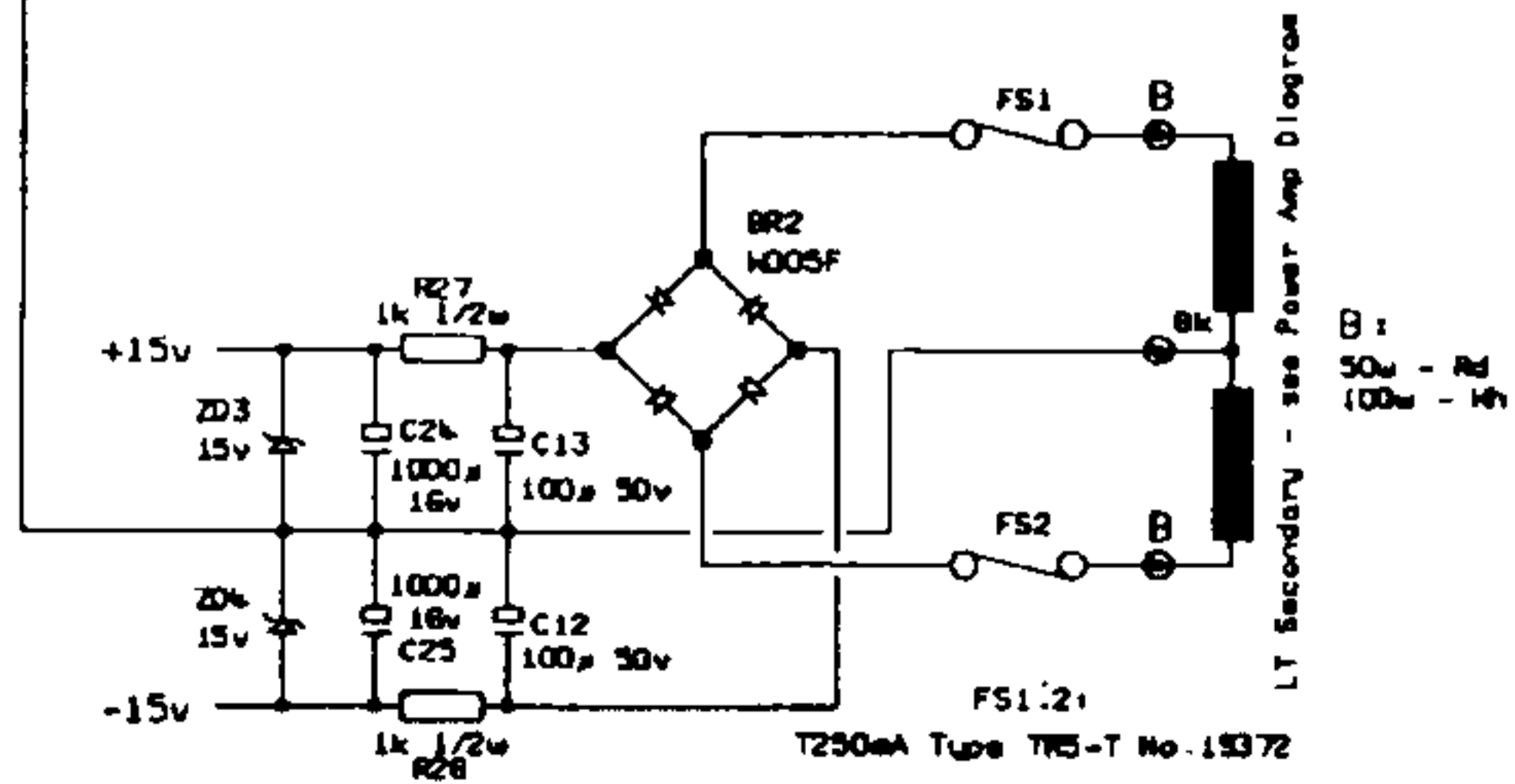
VR1 Gain 0-20
VR2 Gain 10-20

C9 Presence cap
(For Preamp Version only)
0.22µ

RS1
100k - 2501, 2502 & 2101
220k - 2500 & 2100 only



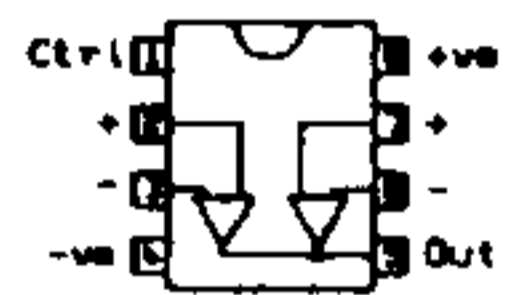
Components on PA PCB - connected via Twin Snd. TS1



LT Secondary - see Power Amp Diagram

B1:
50µ - Rd
100µ - 1k

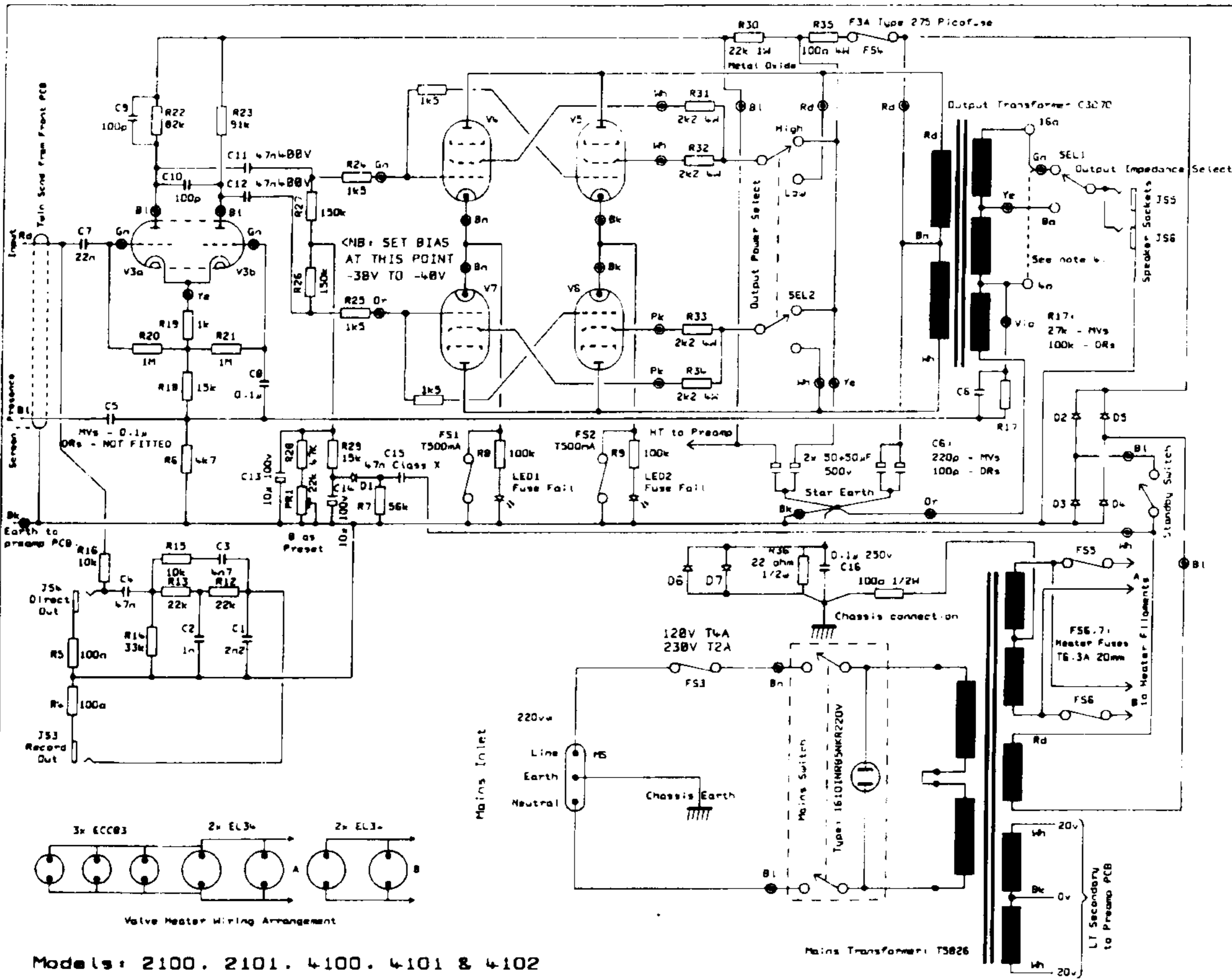
NOTES:

- All resistors 1/w unless stated.
- PCB: JMF518 ONWARDS
- Power supply and power amp diagram: CD0112 50w
CD0132 100w
- All non-elect. caps are 50v axial unless marked:
D: Ceramic disk
R: MKT Radial
- All zeners 500mW.
- C1,5,7,26 not fitted.
C11 only fitted on rack or stereo versions.
- V1,2: ECC83.
- MS201 switching IC pins:

- on pots indicates clockwise.

9	18-9-98	SKB
8	2-7-90	CPV
7	29-1-90	CPV
Iss.	Date	Drn.

Doc. Number: CD0109
JCM900 Series
MASTER VOLUME Preamp
Circuit Diagram
ALL COUNTRIES

Marshall
Jim Marshall
(Products) Ltd.
BLETCHLEY
MILTON KEYNES
ENGLAND
File: CD0109.DGM



- NOTES:**
1. DI-51 1N4007
 2. PCB: JCM900 boards
 3. Effects loop components shown on preamp ckt. diag.
 4. Output impedance select can be wired for either 8 & 16Ω (normal) or 4 & 8Ω.
 5. V3: ECC83
V4-7: EL34
 6. Undesignated components are off-PCB components.
 7. All resistors are 1/4w unless stated otherwise.

Iss. 7: JCM900 PCB

10	ECC 8147 18/03/92	CJR
9	ECC 8126 12/12/91	CJR
8	19-9-90	SKB
7	4-9-90	CPV
6	16-5-90	CPV
5	9-3-90	CPV
Iss.	Date	Orn.

Dwg. Number: CDD192

JCM900 Series
100w Power Amp
Circuit Diagram
SEMKO AND CSA

Marshall

Jim Marshall
(Products) Ltd.
BLETCHLEY
MILTON KEYNES
ENGLAND

File: JCM9002.DGM

Models: 2100, 2101, 4100, 4101 & 4102

