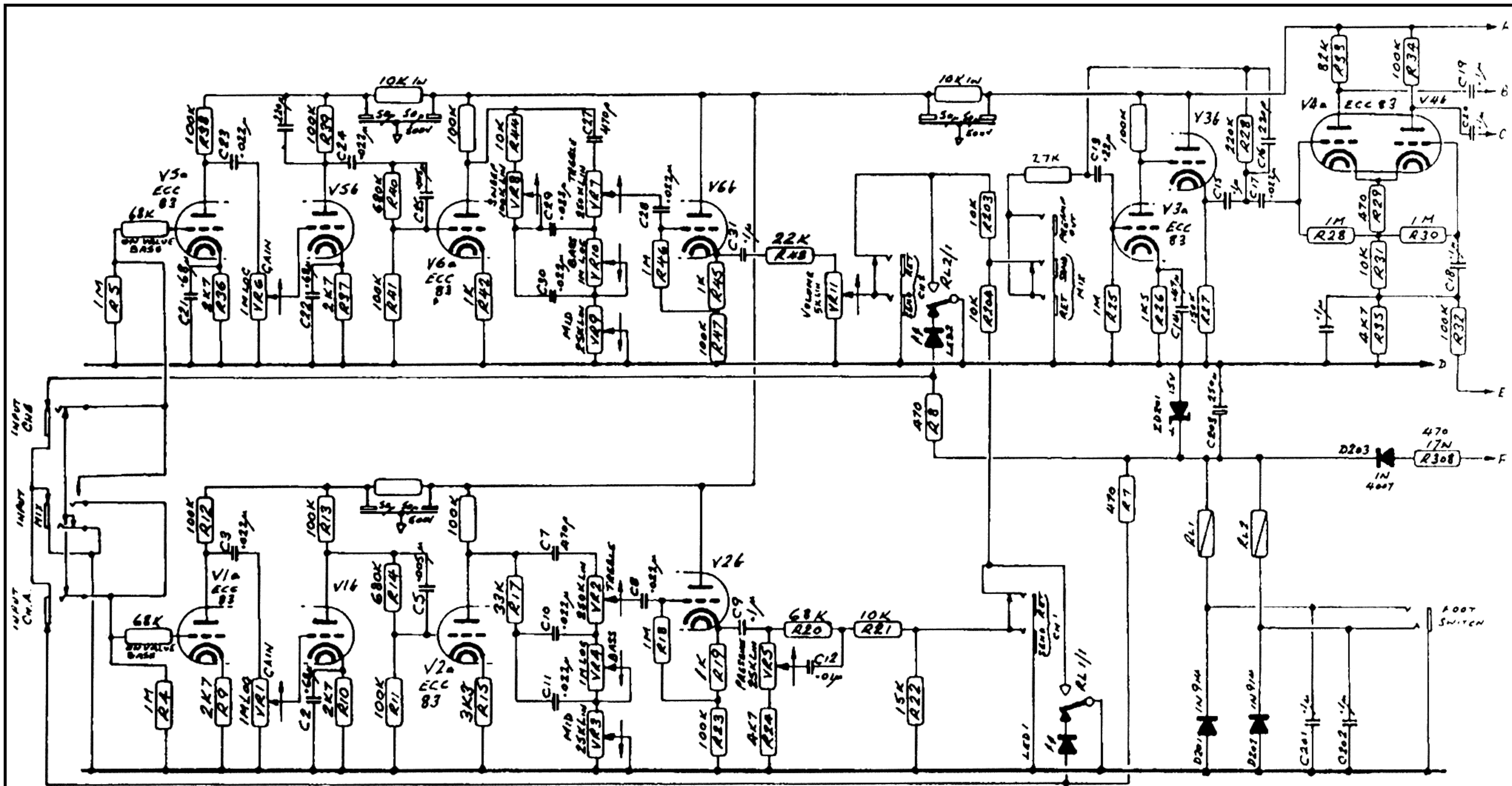


Marshall JCM 800 Series Model 2000 250W LEAD AMP — PREAMP CIRCUIT DIAGRAM

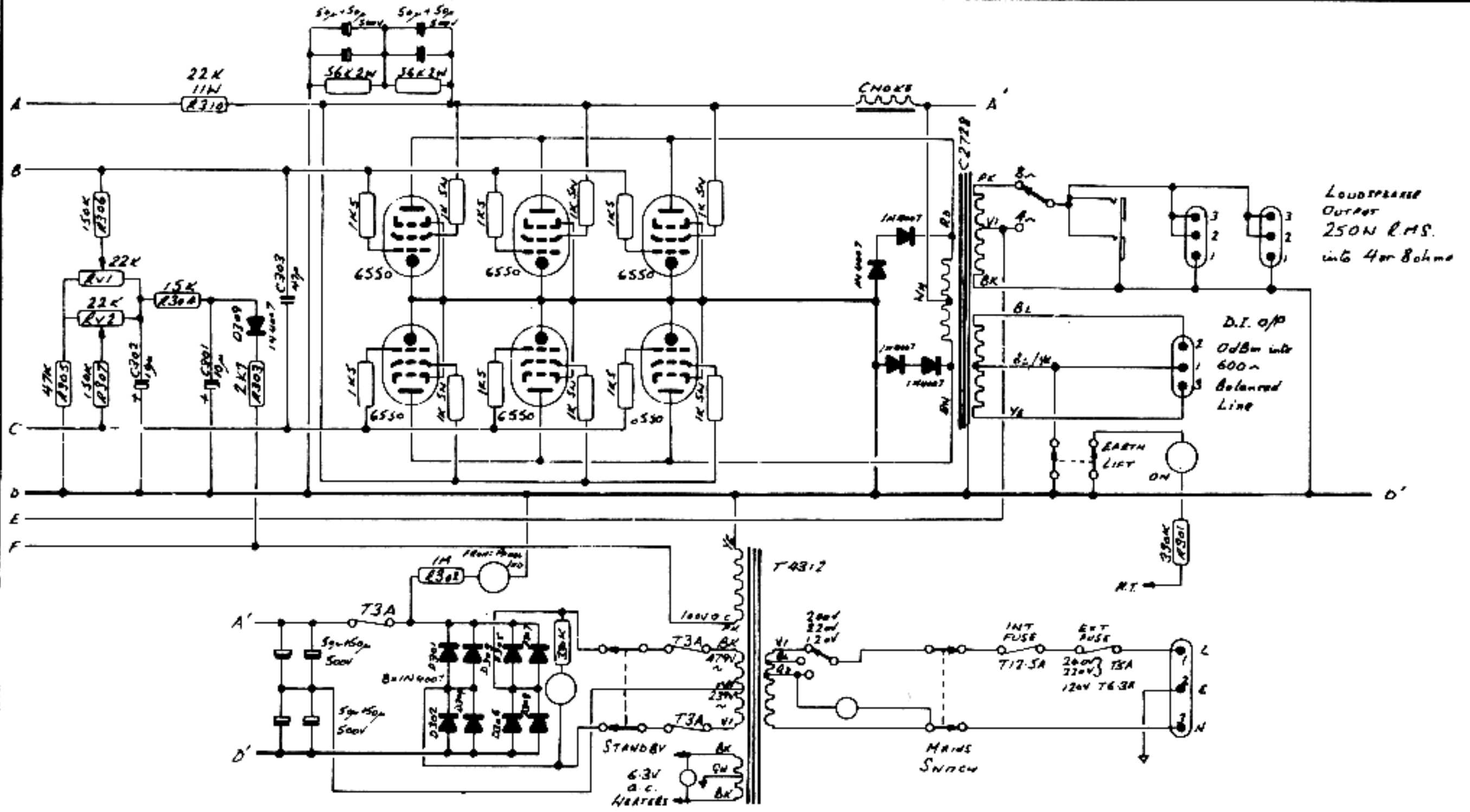
| | | |
|--|---------|----|
| 1 | 22-4-81 | SG |
| 2 | 25-9-81 | SG |
| JIM MARSHALL PRODUCTS LTD BLETCHLEY ENGLAND | | |



| | | |
|---|---------|----|
| 1 | 22-4-81 | SC |
| 2 | 25-9-81 | SC |
| 3 | 30-6-86 | RS |

JIM MARSHALL
 PRODUCTS LTD.
 BLETCHLEY
 ENGLAND

Marshall JCM 800 Series Model 2000 250W LEAD AMP — PREAMP CIRCUIT DIAGRAM



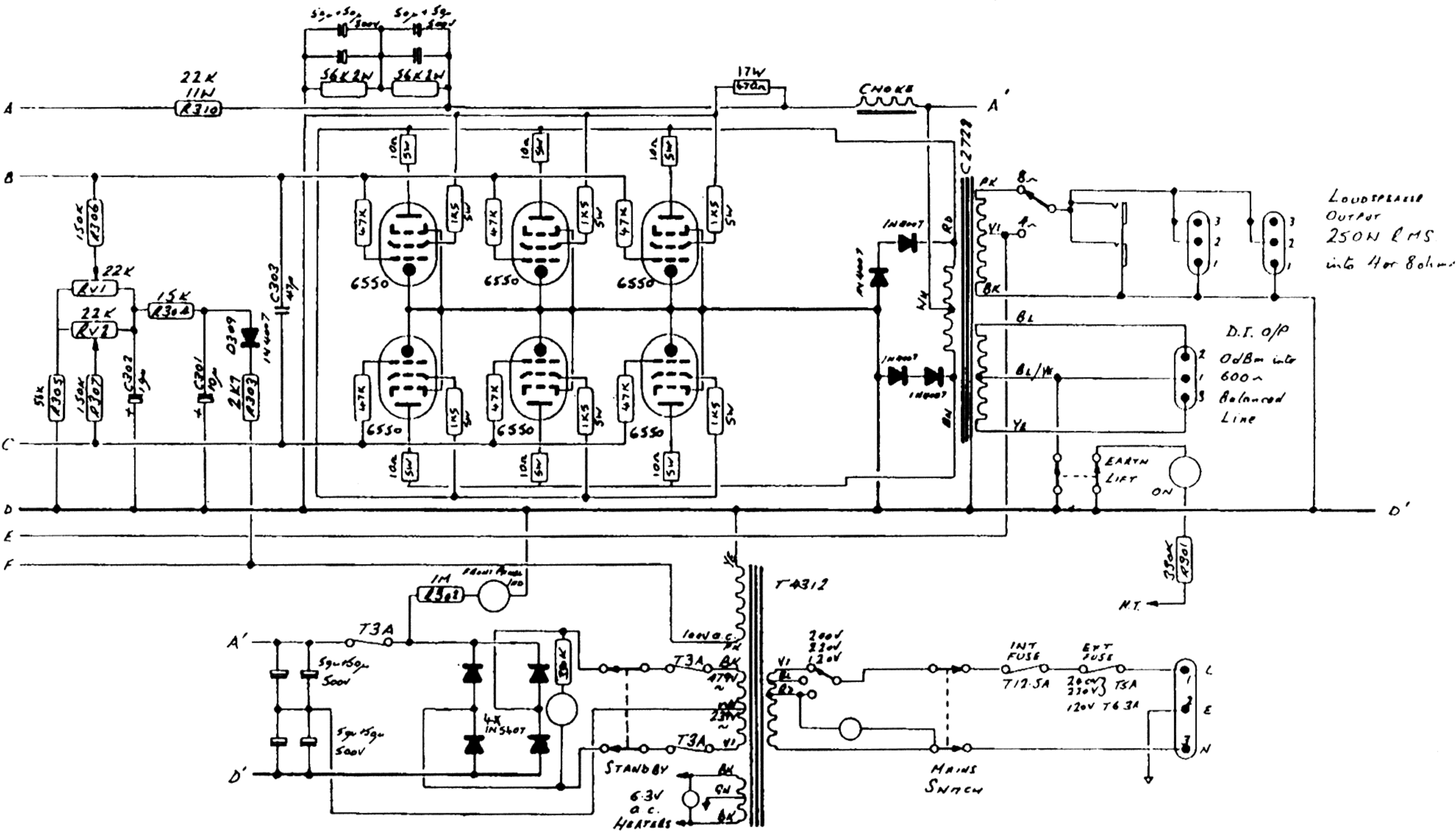
LOUDSPEAKER
OUTPUT
250W RMS.
into 4 or 8ohms

D.I. o/p
0dBm into
600Ω
Balanced
Line

Marshall JCM 800 Model 2000 250W LEAD AMP — POWER CIRCUIT DIAGRAM

| | | |
|---|---------|----|
| 1 | 16-4-81 | 50 |
| 2 | 25-9-81 | 56 |
| | | |
| | | |

© The Marshall Electric Ltd. BATHON, ENGLAND.



Marshall JCM 800 Model 2000 250W LEAD AMP — POWER CIRCUIT DIAGRAM

| | | |
|---|---------|----|
| 1 | 16-4-81 | SS |
| 2 | 25-9-81 | SS |
| 3 | 30-6-86 | RS |
| THE MARSHALL GROUP BATHON, ENGLAND | | |