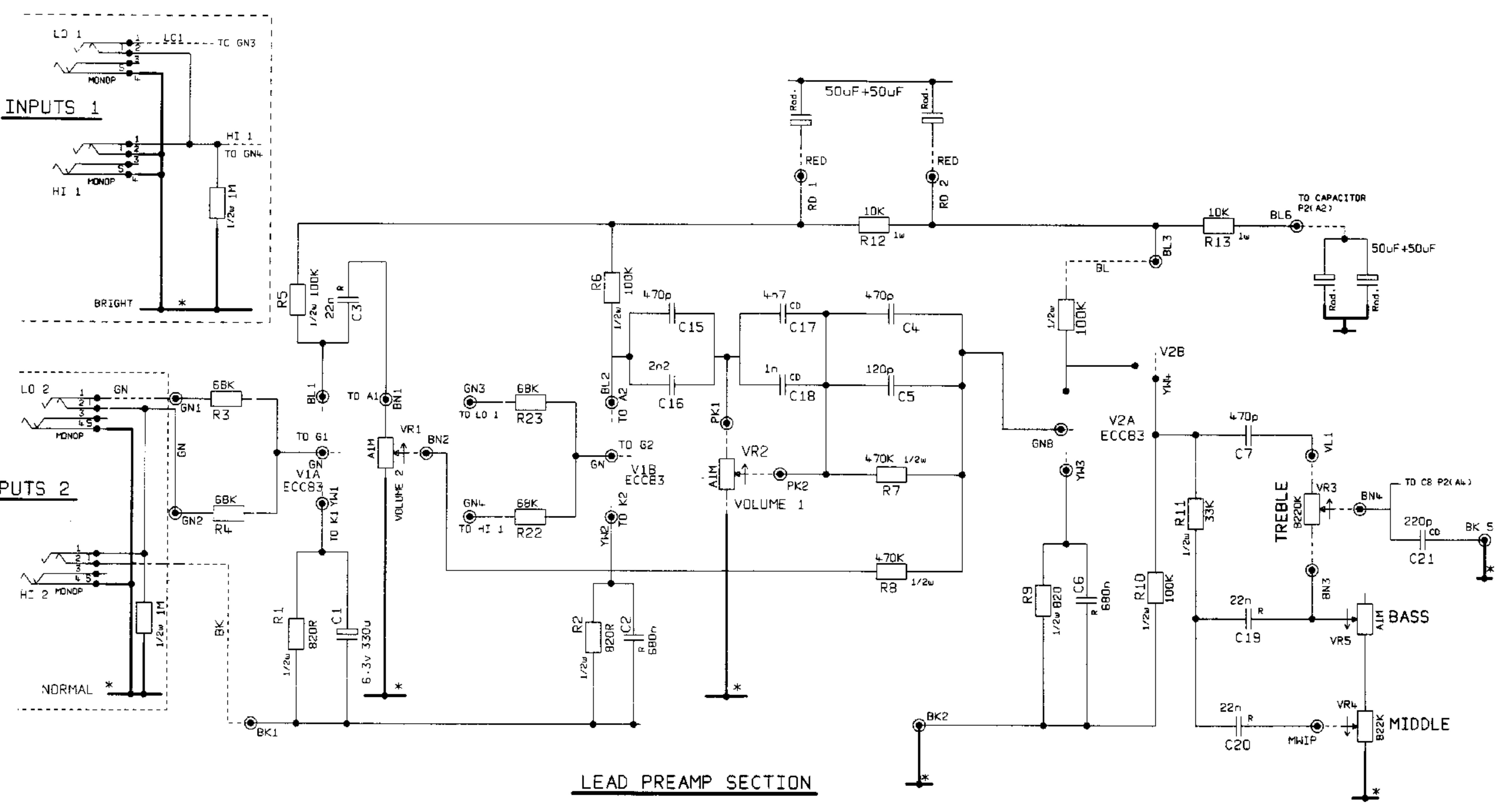


DWG. No. 59X-60-02



LEAD PREAMP SECTION

NOTES

DASHED LINES DENOTE WIRES OFF FROM THE PCB.  
P2 (A5) \* PAGE NO & GRID REF.  
GND'S MARKED \* ARE POT BUS GND.

7	0603	18/4/94	
6	0515	24/1/94	A
5	0394	06/8/93	B
4	0348	13/5/93	C
3	0335	19/4/93	D
2	0299	5-2-93	E
1	MANUFACTURE RELEASE		F
ISS	ECO NUMBER	DATE	G

UNSPECIFIED HOLE DATA			
			H
			J
			K
			L
			M
			N
			P

MATERIAL	
MATERIAL THICKNESS	
INTERNAL BEND RADIUS	
EXTERNAL B/A	
BEND DIE	
DRAWN T.FOY	DATE 27/08/92
CHECKED	DATE
APPROVED	DATE

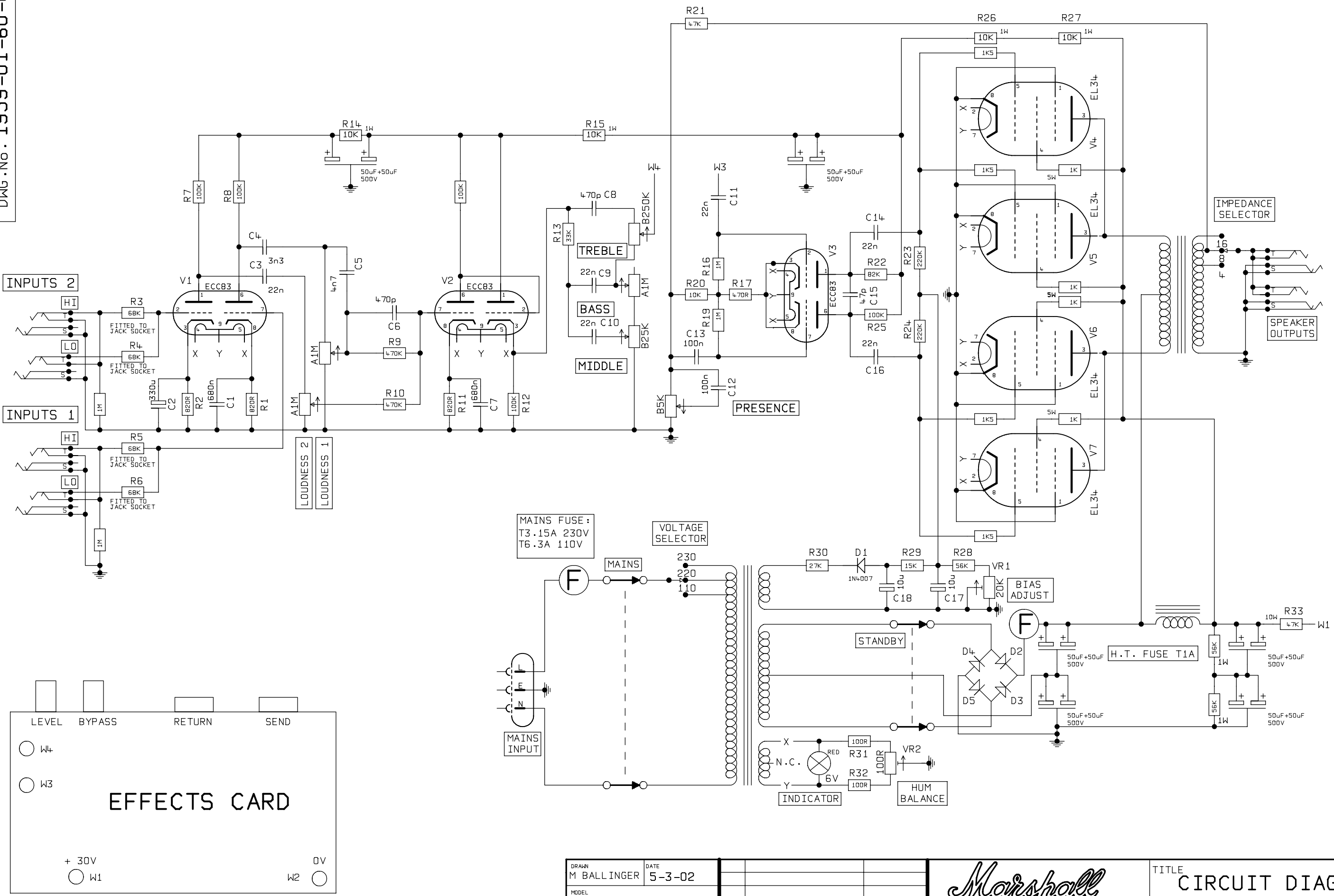
DIMENSIONS IN	
TOLERANCE (UNLESS OTHERWISE STATED):	
DIMENSIONAL	
CENTRES	
ANGULAR	
MODEL	
1959SLP	

**Marshall**

COPYRIGHT EXISTS ON THIS DOCUMENT. IT MUST NOT BE USED FOR ANY PURPOSE THAN THAT FOR WHICH IT IS SUPPLIED AND MUST NOT BE REPRODUCED OR IN PART WITHOUT WRITTEN PERMISSION FROM  
© MARSHALL AMPLIFICATION PLC  
DENBIGH ROAD, BLETCHLEY, MILTON KEYNES, MK1 1QG.  
TEL (0908)375411 FAX (0908)375118

TITLE	
CCT DIAGRAM	
1 OF 2	A3
DWG. No	ISSUE
59X-60-02	7

DWG.No . 1959-01-60-02



**EFFECTS CARD**

LEVEL BYPASS RETURN SEND

W4

W3

+ 30V

W1

W2 0V

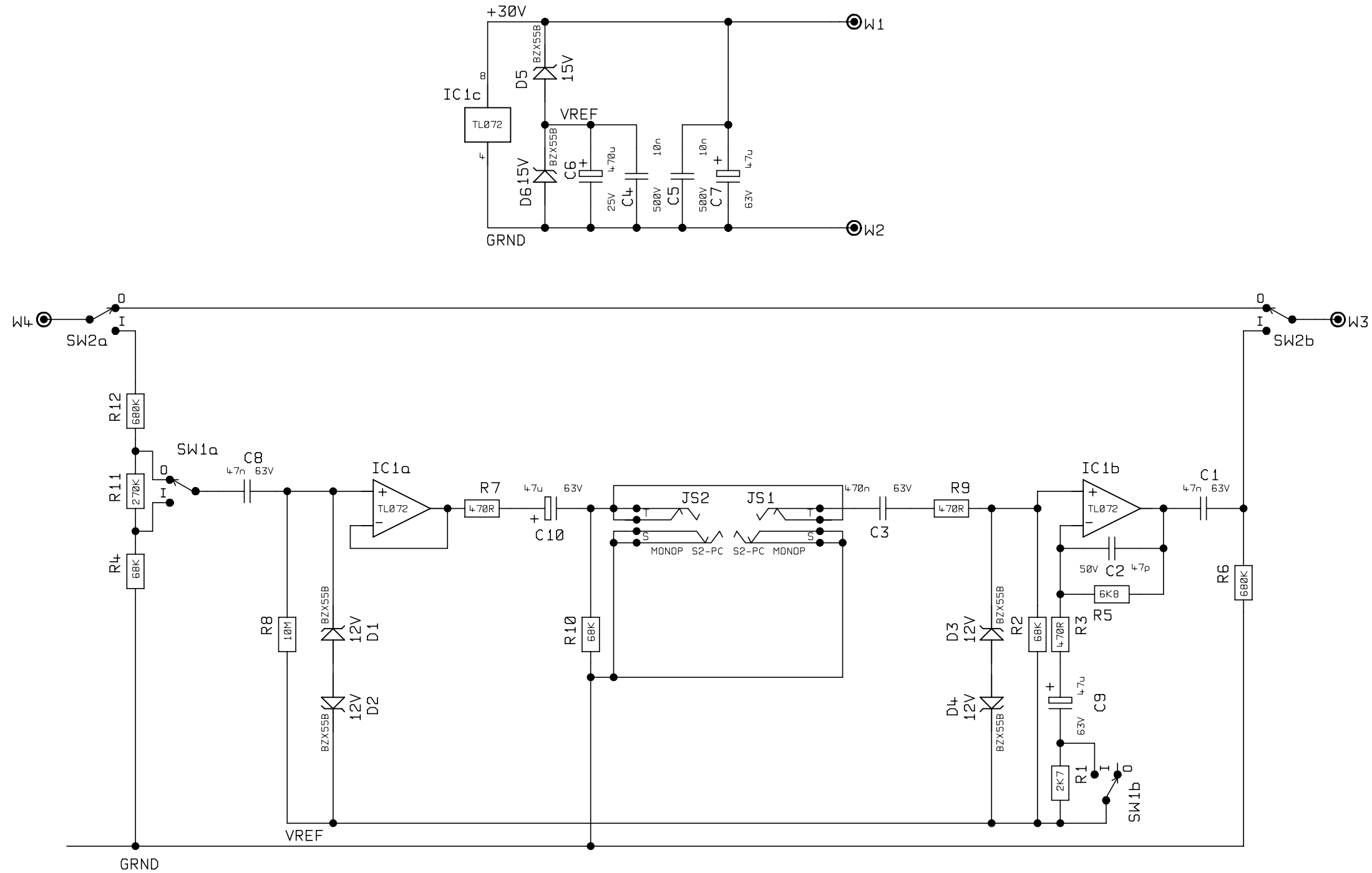
DRAWN M BALLINGER	DATE 5-3-02
MODEL 1959SLP-01	ISS 2
ECO NUMBER 2100	DATE 28-3-02



TITLE CIRCUIT DIAG.	ISS 2
DWG.No 1959-01-60-02	

ignorelayers 4

DWG.No. PCBP-00119-60-02



DRAWN	DATE		
MODEL	1959-01/1987-01		
	2203-01/2203ZW		
ISS	ECO NUMBER	DATE	



TITLE	EFFECTS LOOP CIRCUIT
DWG.No	PCBP-00119-60-02
ISS	1