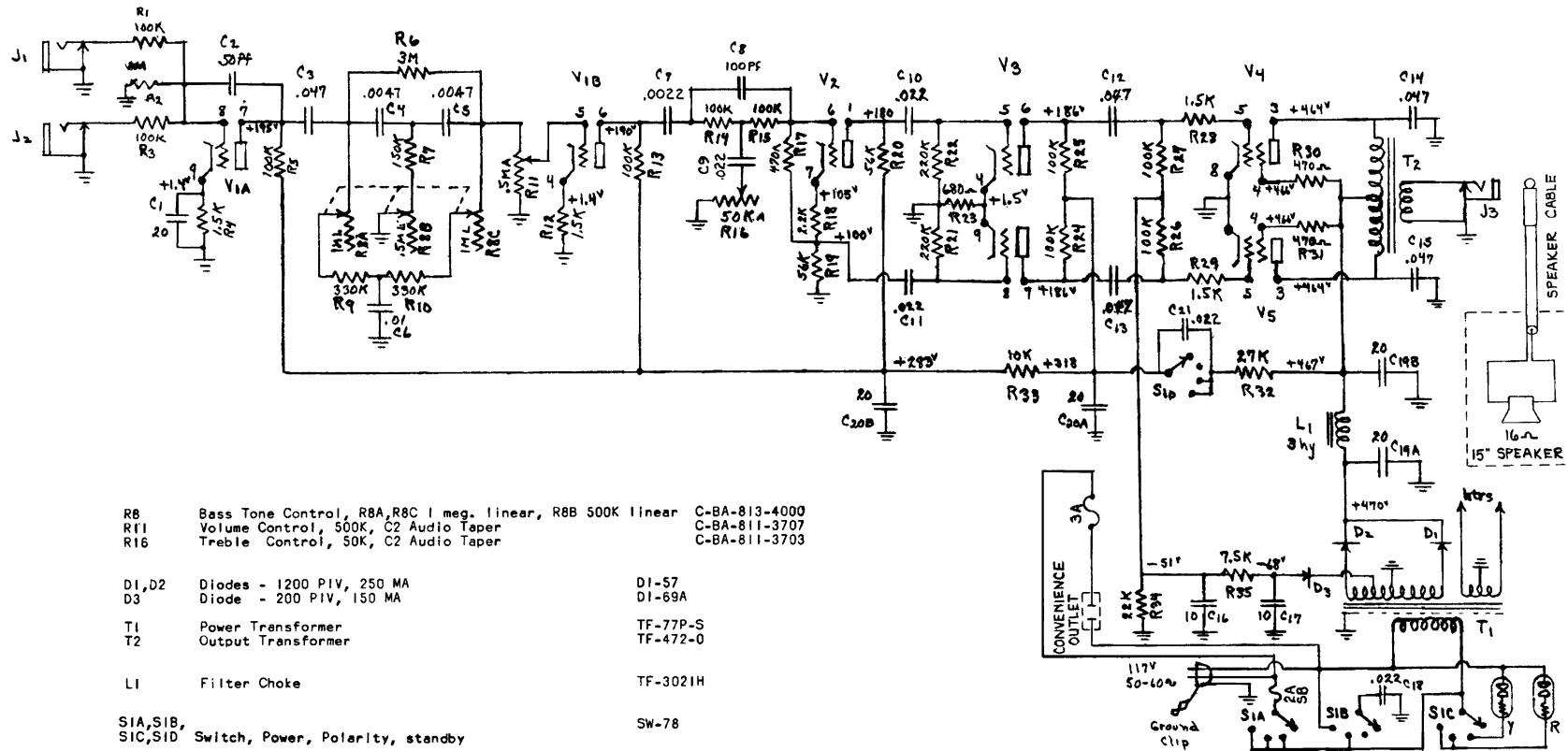
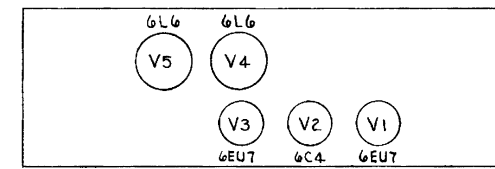


EA-71



- |                     |   |               |
|---------------------|---|---------------|
| R8                  | Bass Tone Control, R8A,R8C 1 meg. linear, R8B 500K linear | C-BA-813-4000 |
| R11                 | Volume Control, 500K, C2 Audio Taper                      | C-BA-811-3707 |
| R16                 | Treble Control, 50K, C2 Audio Taper                       | C-BA-811-3703 |
| D1,D2               | Diodes - 1200 PIV, 250 MA                                 | DI-57         |
| D3                  | Diode - 200 PIV, 150 MA                                   | DI-69A        |
| T1                  | Power Transformer   | TF-77P-S      |
| T2                  | Output Transformer  | TF-472-0      |
| L1                  | Filter Choke  | TF-3021H      |
| S1A,S1B,<br>S1C,S1D | Switch, Power, Polarity, standby                          | SW-78         |
|                     | 15" Speaker, 16 ohm, 40 cycle                             | S-0127        |



DC VOLTAGES TO CHASSIS WITH V.T.V.M.  
CAPACITORS IN MFD EXCEPT WHERE NOTED.