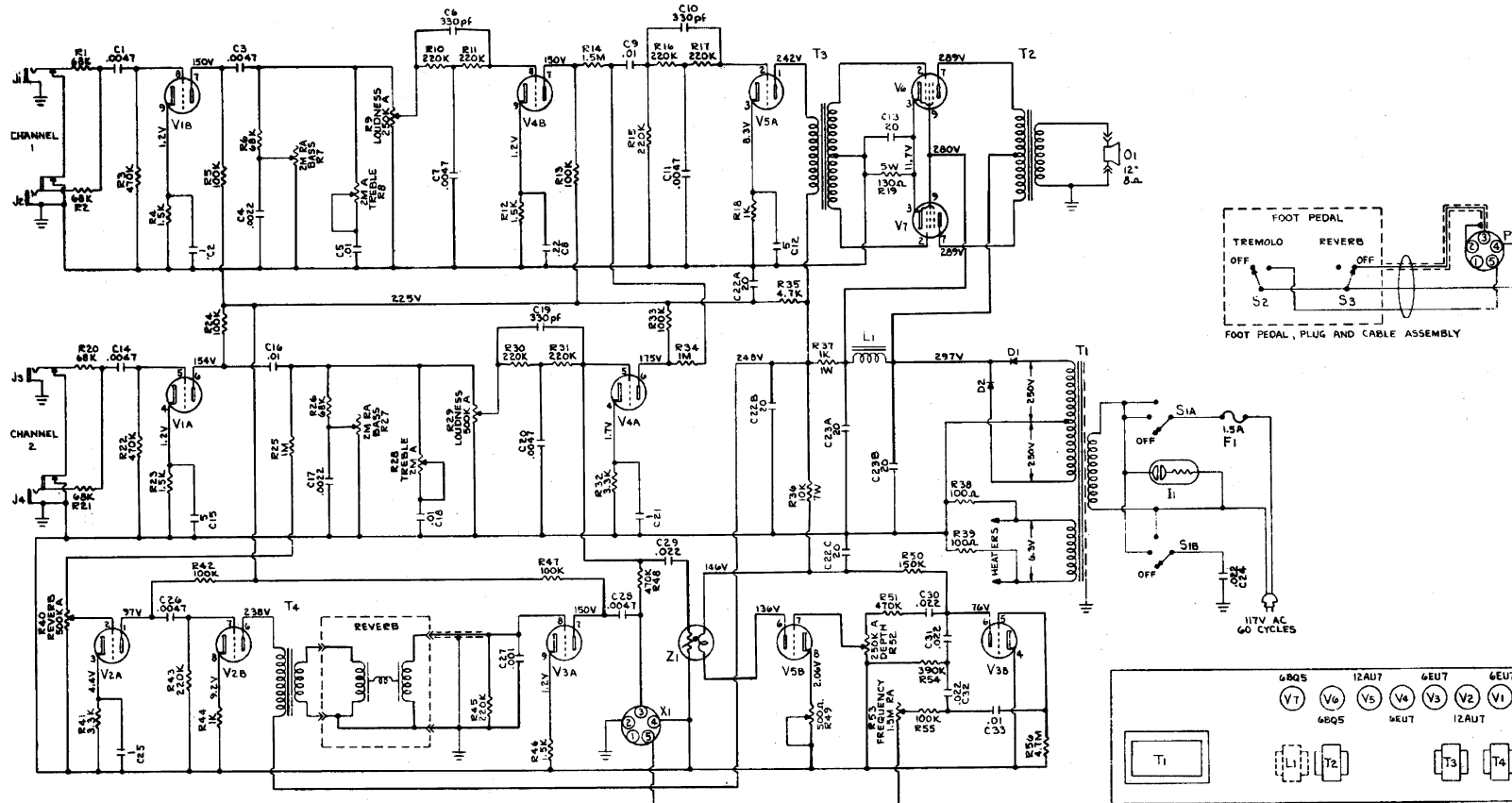


EA26-RVT



- |        |             |                           |          |                |   |
|--------|-------------|---------------------------|----------|----------------|---|
| T1     | TF-105T-1   | Power Transformer         | R9, R52  | CHA-4,008      | Control - 250K, Audio (Loudness & Depth)  |
| T2     | TF-50L-C    | Output Transformer        | R5, R25  | CRA-711-3702-1 | Control - 2 meg, Audio (Treble)           |
| T3     | TF-100LD-1  | PP Driver Transformer     | R27, R10 | CRA-4,007      | Control - 500K, Audio (Loudness & Reverb) |
| T4     | TF-54L-00   | Reverb Transformer        | R53      | CEA-311-3711-1 | Control - 1.5 meg, RA (Frequency)         |
| L1     | TF-1003 C   | Filter Choke              | R7, R27  | CEA-813-222-1  | Control - 2 meg, RA (Bass)                |
|        |             |                           | RL9      | CS-23351       | Control - 500 ohm, WW                     |
| S1A, B | SW-899-1    | Switch - SPST Rotary      |          |                |   |
| S2, S3 | SW-82L03    | Switches - SPST           |          |                |   |
| PL     | PL-35R      | Pilot Light (Neon) w/clip |          |                |   |
| X1     | CN-78PCG-5  | Foot Pedal Socket         |          |                |   |
| P1     | CN-91MPM-5L | Foot Pedal Plug           |          |                |   |
| D1, D2 | DI-40L      | Diode - 800 PIV           |          |                |   |

