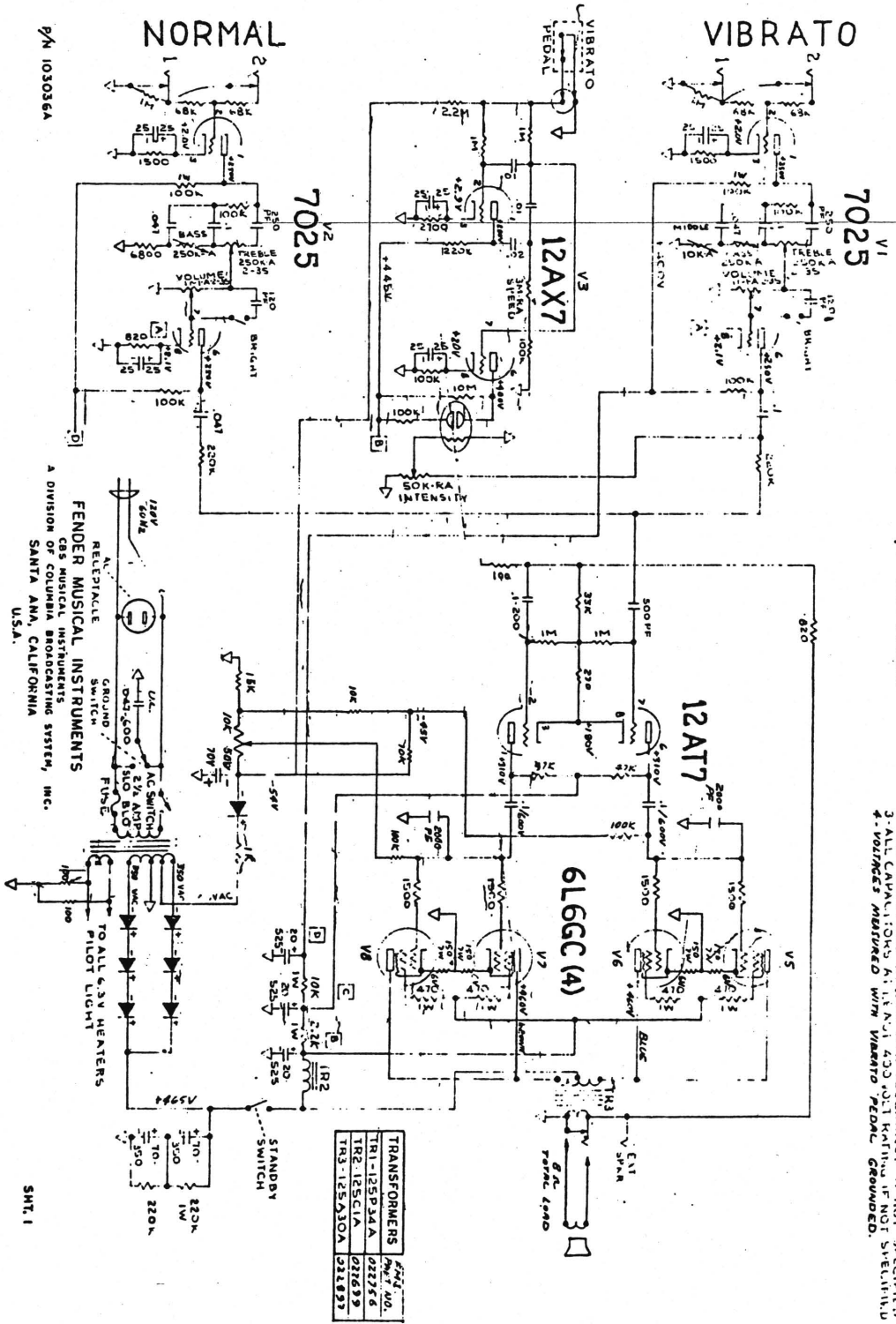


# FENDER SINGLE SHOWMAN-AMP AB568 SCHEMATIC MODEL

## NOTICE

THIS PRODUCT MANUFACTURED UNDER ONE OR MORE OF THE FOLLOWING U.S. PATENTS: # 2817709, # 2974661, 194859 / PATENTS PENDING

1. ALL POINTS NEAR TO GROUND WITH A 250MΩ.
2. ALL RESISTORS TO BE 1% TOLERANCE IF NOT SPECIFIED.
3. ALL CAPACITORS AT LEAST 400 VOLTS RATING IF NOT SPECIFIED.
4. VOLTAGES MEASURED WITH VIBRATO PEDAL GROUND.



PH 103036A

FENDER MUSICAL INSTRUMENTS  
 A DIVISION OF COLUMBA ELECTROPHONIC SYSTEM, INC.  
 SANTA ANA, CALIFORNIA  
 U.S.A.

TRANSFORMERS	Part No.
TRI-125P34A	022756
TR-125G1A	022679
TR3-125A30A	021897

DWG. TITLE		SCHEMATIC AND	
WIRING DIAGRAM -		SINGLE SHOWMAN	
AMP - AB568			
REV. NO.	DWG. NO.	REV.	
1/0	103036	0	
SCALE	MODEL	SHEET 1 OF 2	