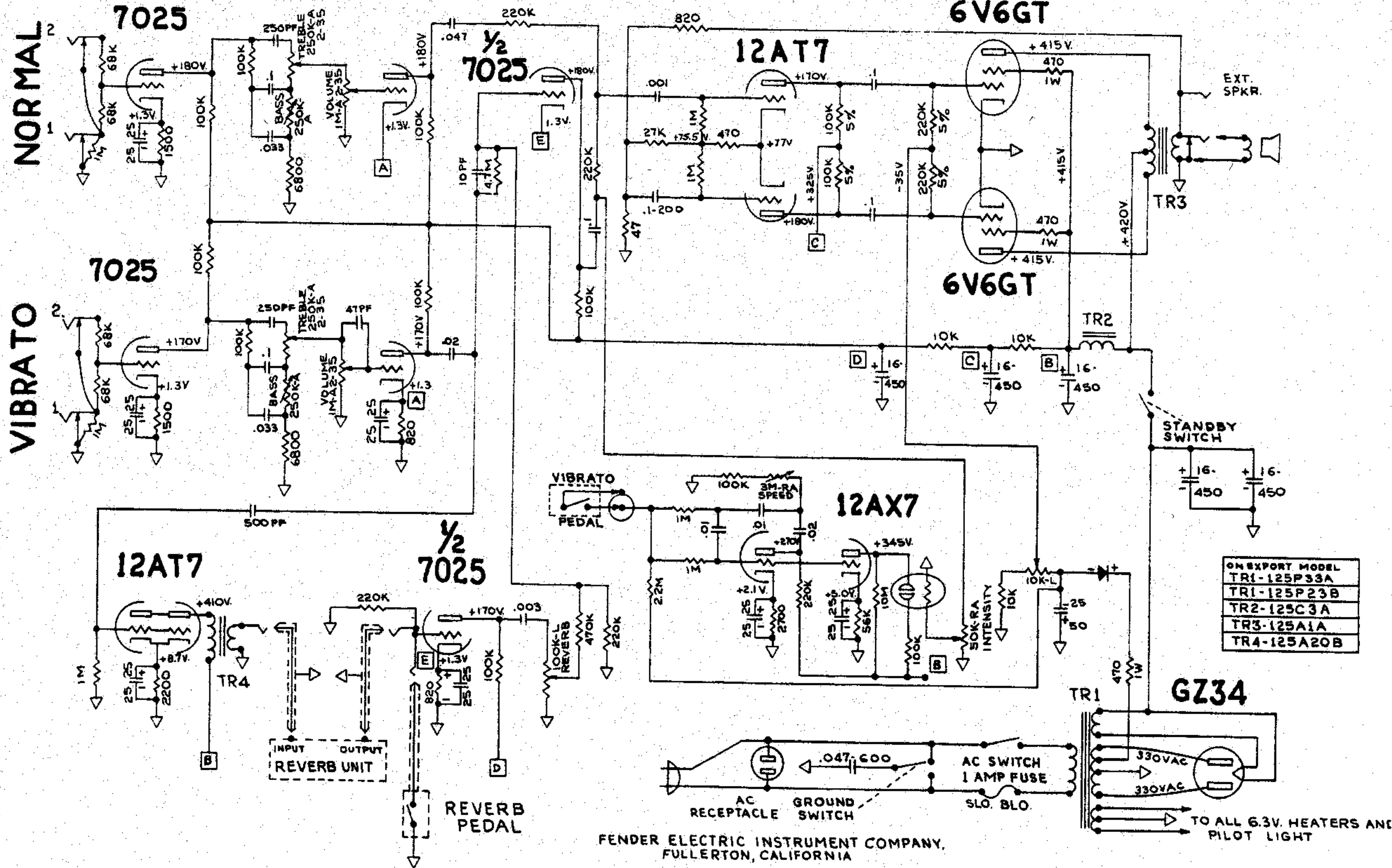


FENDER MODEL "DELUXE REVERB-AMPAA 763" SCHEMATIC NOTICE

THIS PRODUCT MANUFACTURED UNDER ONE OR MORE OF THE FOLLOWING U.S. PATENTS:
 CIRCUIT PATENT # 2817708, # 2973681
 DESIGN PATENT # 192859

J-FC

- 1 - VOLTAGES READ TO GROUND WITH ELECTRONIC VOLTMETER. VALUES SHOWN + OR - 20%
- 2 - ALL RESISTORS 1/2 WATT 10% TOLERANCE IF NOT SPECIFIED.
- 3 - ALL CAPACITORS AT LEAST 400 VOLT RATING IF NOT SPECIFIED.

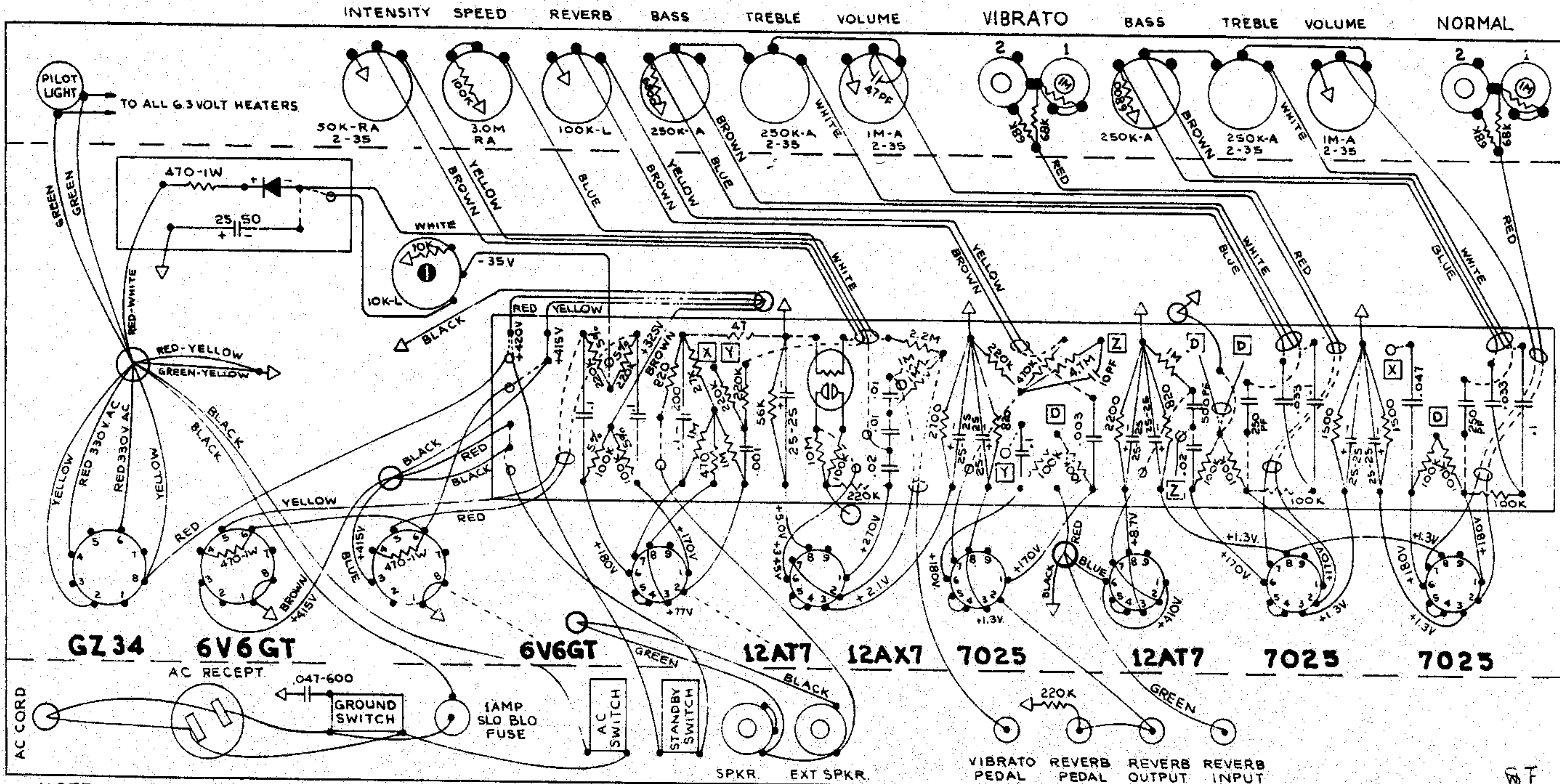


FENDER "DELUXE REVERB-AMP AA763" LAYOUT

NOTICE

VOLTAGES READ TO GROUND WITH ELECTRONIC
VOLTMETER VALUES SHOWN + OR - 20%

J-FC



NOTE: ALL RESISTORS 1/2 WATT, 10% TOLERANCE, IF NOT SPECIFIED.

NOTE: ALL CAPACITORS AT LEAST 400 VOLT RATING IF NOT SPECIFIED.

FENDER ELECTRIC INSTRUMENT COMPANY,
FULLERTON, CALIFORNIA