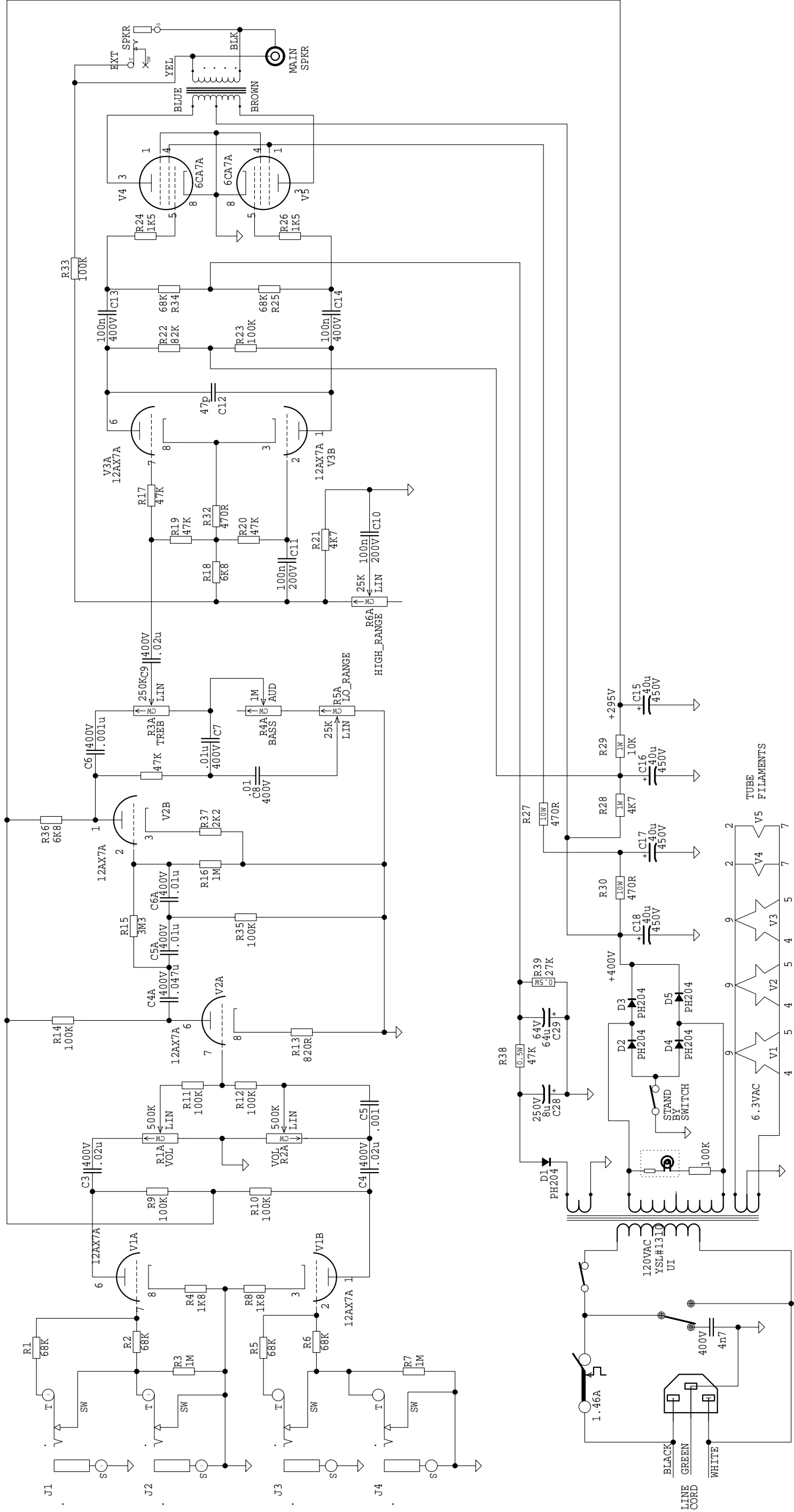


NOTE  
 ALL CAPACITANCE VALUES ARE IN MFD  
 UNLESS OTHERWISE SPECIFIED  
 ALL RESISTANCE VALUE ARE IN OHMS  
 AT 1/2 WATTS UNLESS OTHERWISE SPECIFIED  
 T1 # 78632  
 T2 # 68348  
 L1 # 68347

|                     |                |
|---------------------|----------------|
| YORKVILLE SOUND LTD |                |
| BASS MASTER YBA-1   |                |
| DESIGN BY           | DRAWN BY       |
| PETE TRAYNOR        | GRANT LAUGHLIN |
| OCT 21 1966         |                |



|           |  |                   |               |                 |
|-----------|--|-------------------|---------------|-----------------|
| YORKVILLE |  | DATE: MAY/01/74   | MODELS: YBA-1 | SCH ISSUE: 5.00 |
|           |  | NAME: YBA-1V5.SCH | PCB#:         | TITLE: YBA-1    |