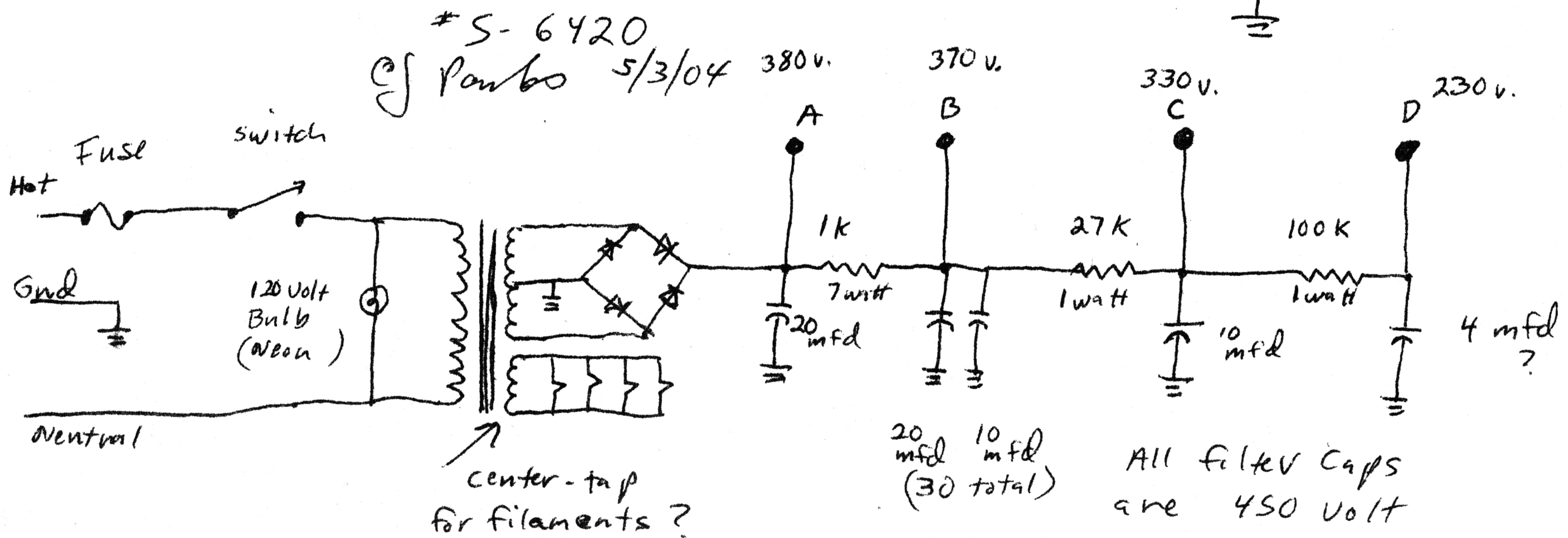
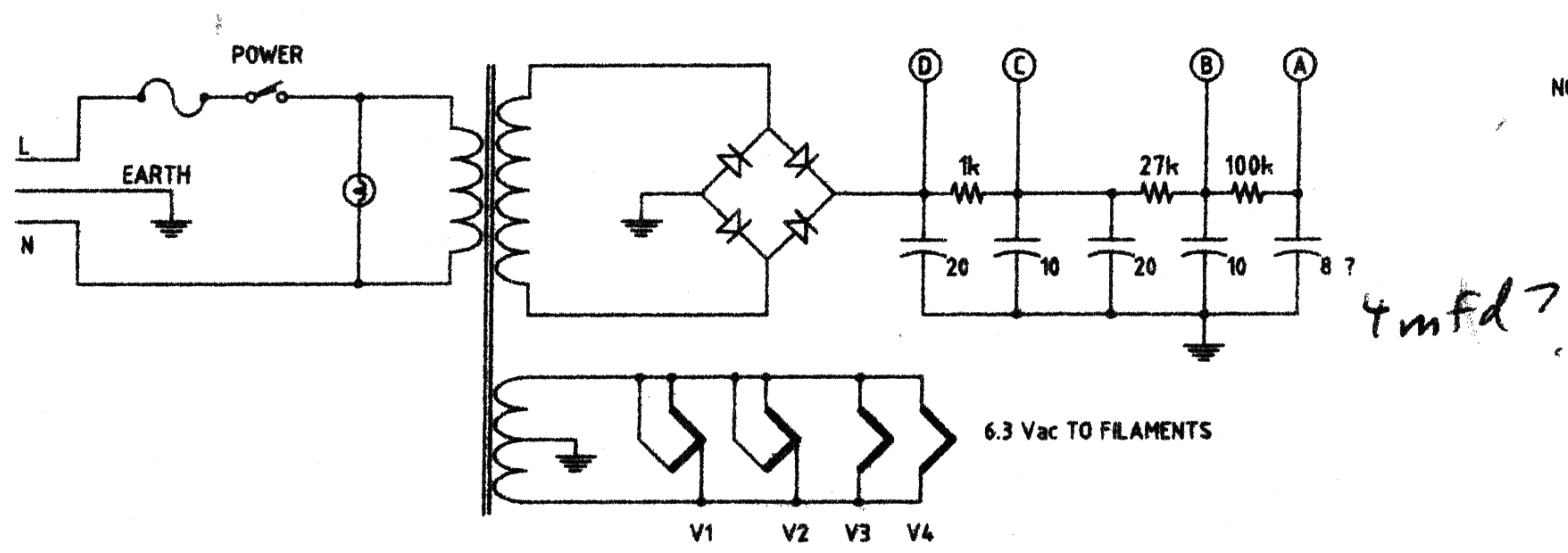
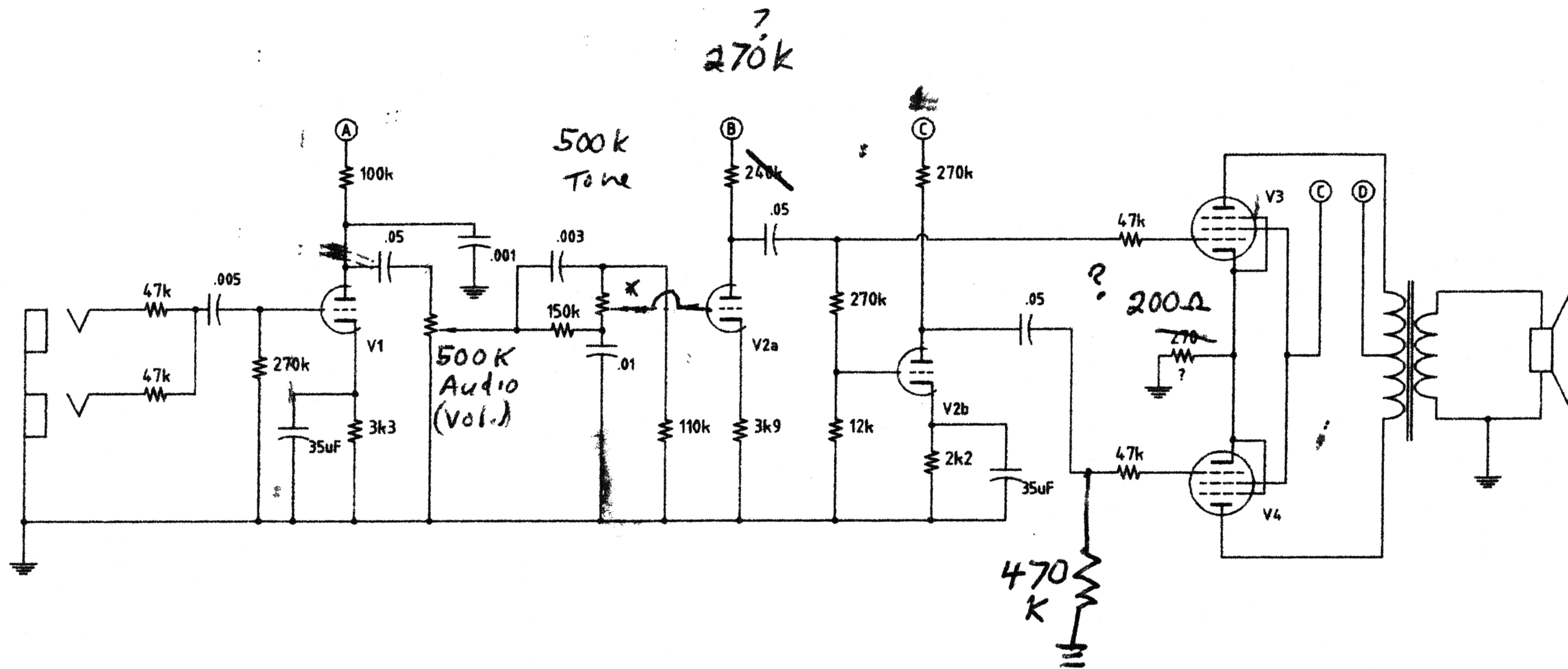


Supro Thunderbolt 1966

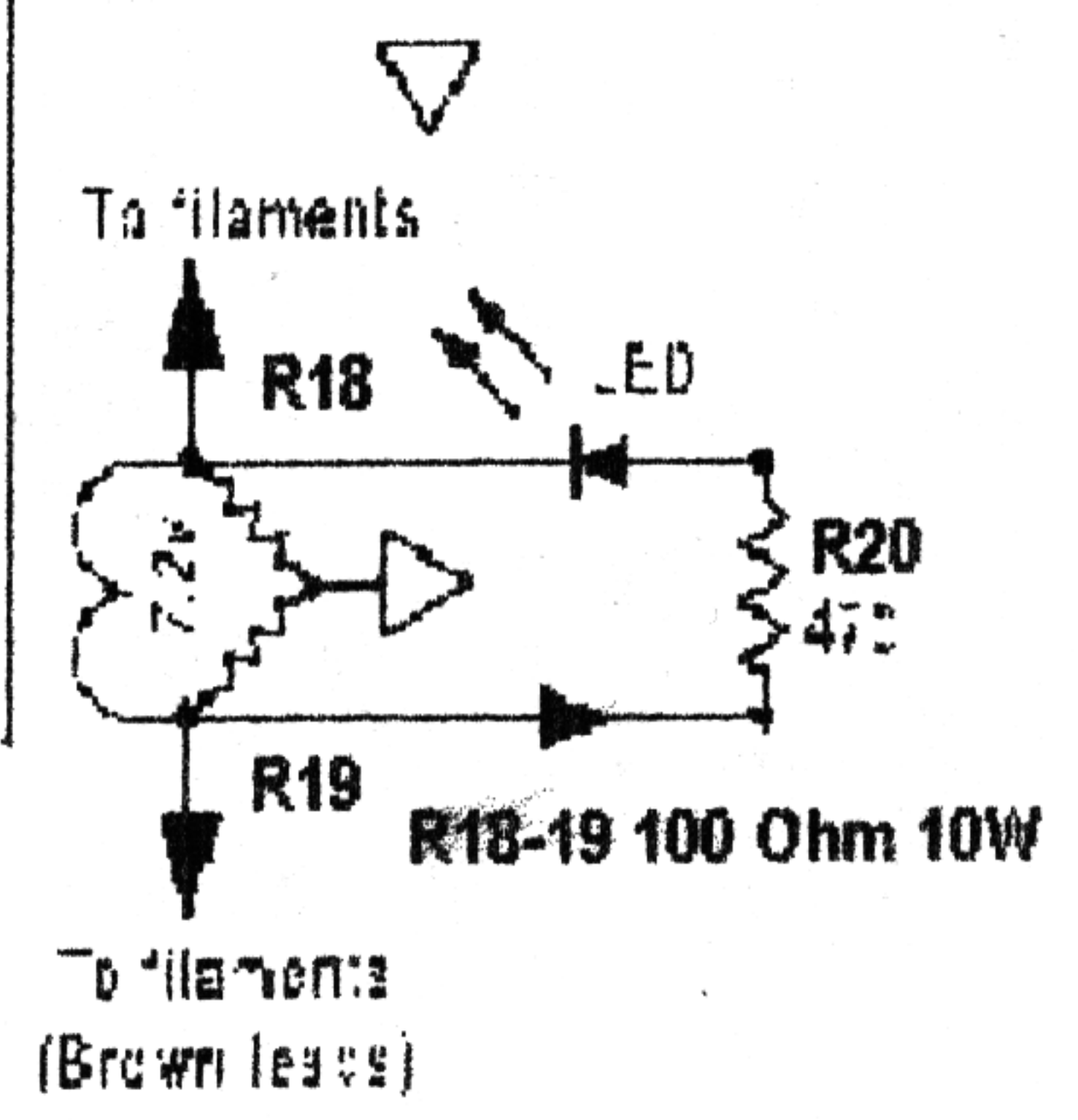
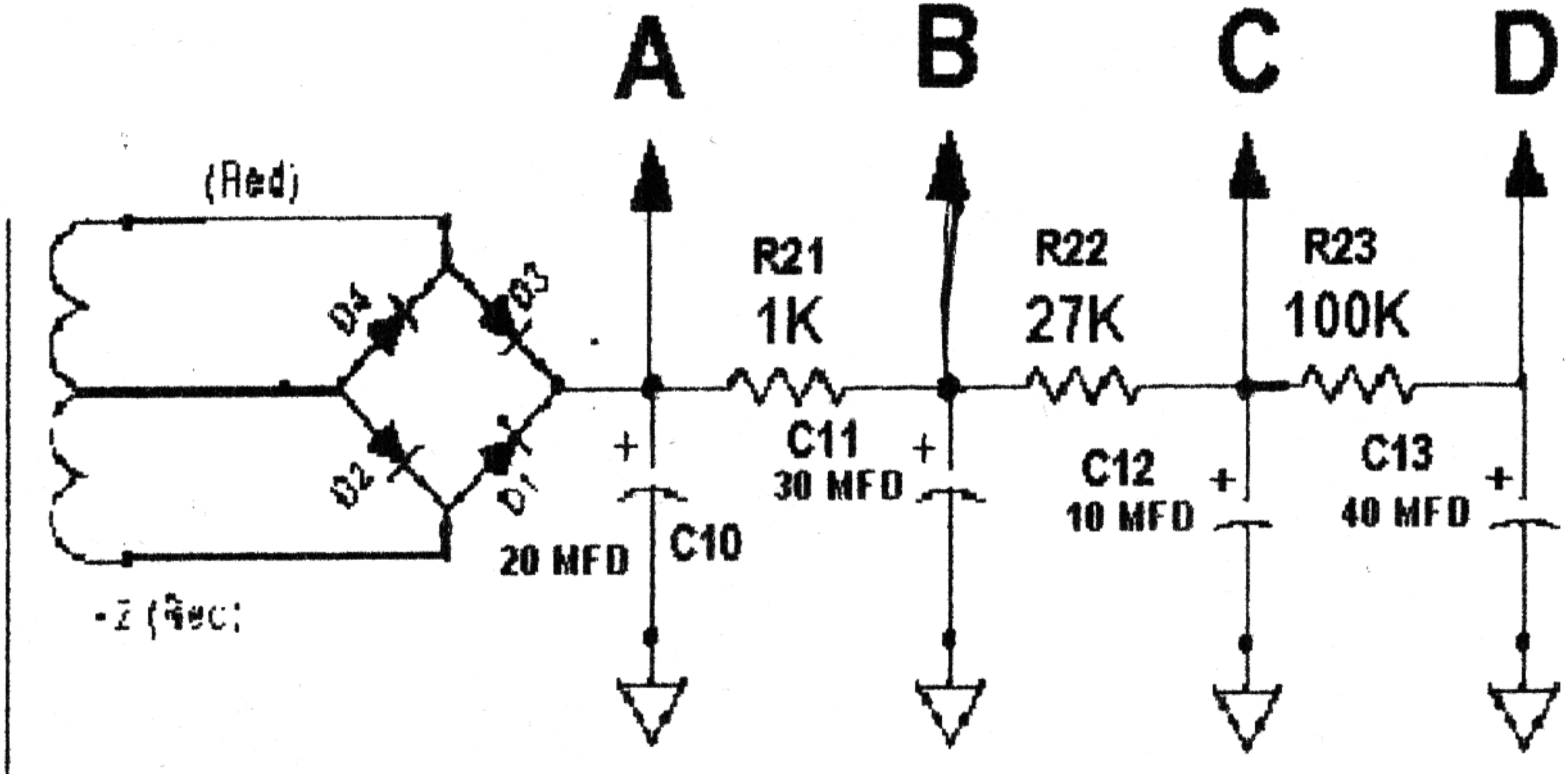
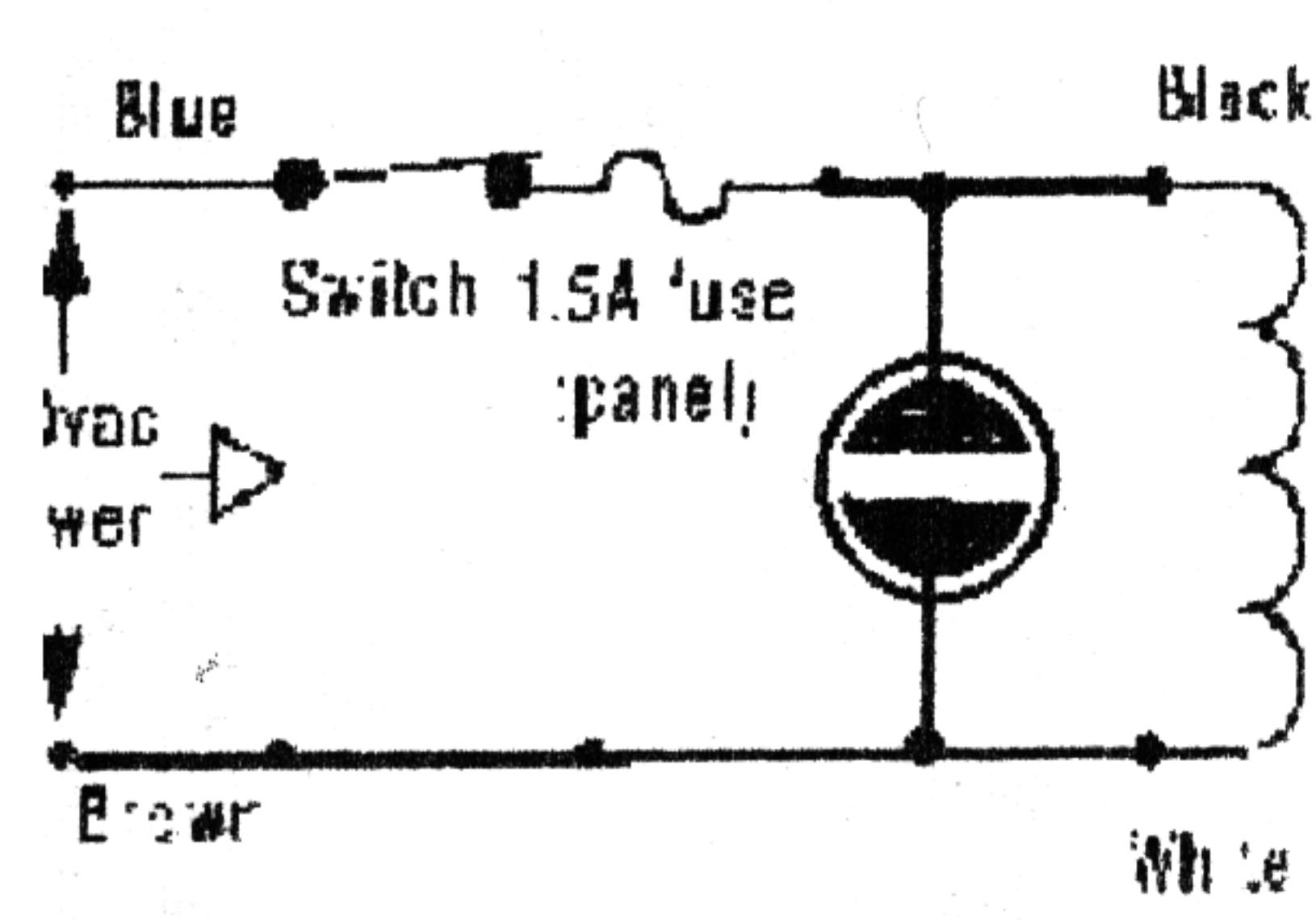
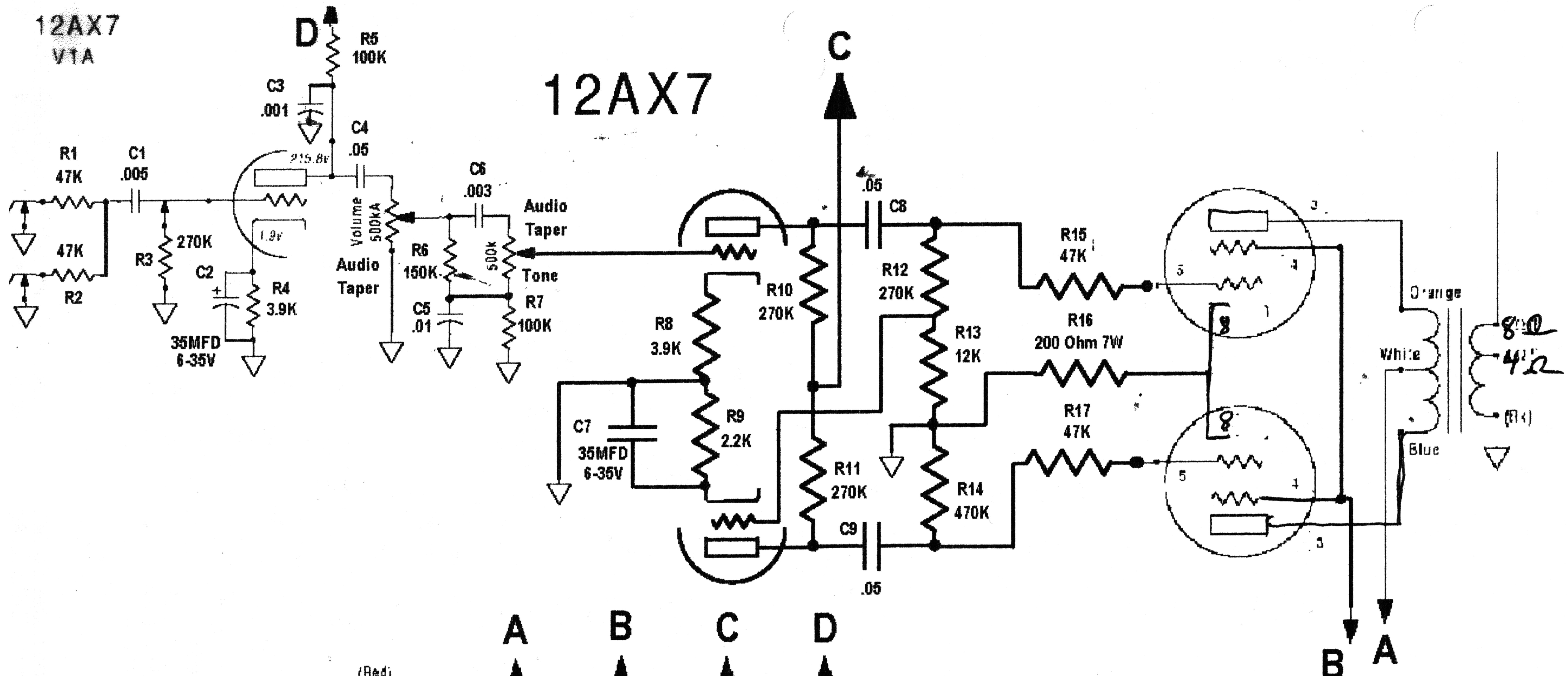




NOTES: * V1 (12AX7) ONE TRIODE LEFT UNUSED
 V2 (12AX7)
 V3 (6L6GC)
 V4 (6L6GC)
 CAPACITOR VALUES IN µF
 FILTER CAPACITORS ARE 450 V

Corrections made 3/22/06
 by CJ Pank
 See

<h1>Weatherford Amplifiers</h1>	
SCALE: NONE	DRAWN BY: Sean Weatherford
DATE: 3/3/2003	
This schematic redrawn from a version provided by Schematic Heaven. Weatherford Amplifiers claims no rights to any of the information contained in this drawing.	
The quality of the original was poor and some values were difficult to determine. These parts are marked with '?'	
1966 SUPRO THUNDERBOLT	DRAWING NUMBER S6420



Supro Thunderbolt

Phase 1A
 Drawn by Rik Shoup