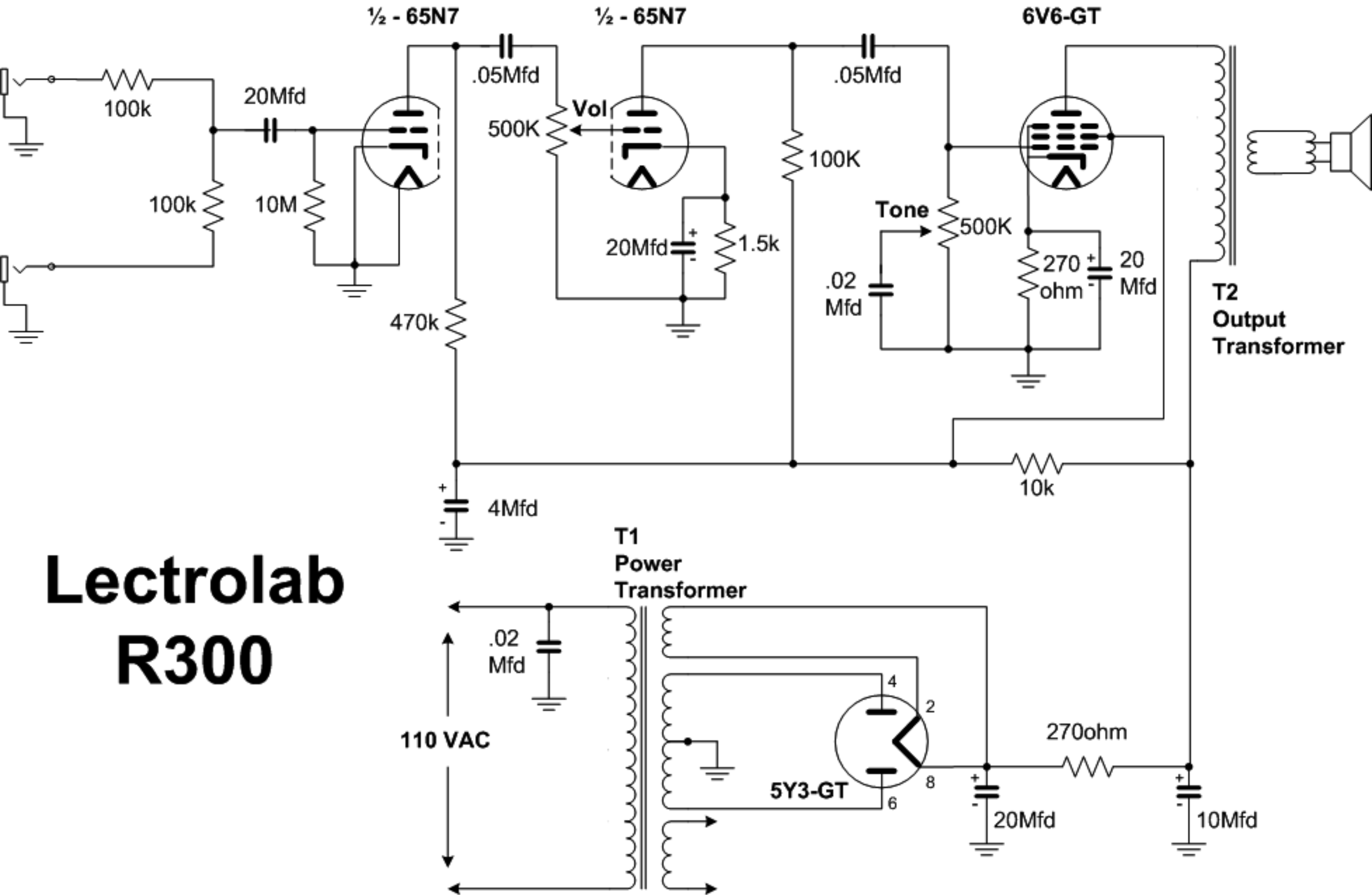
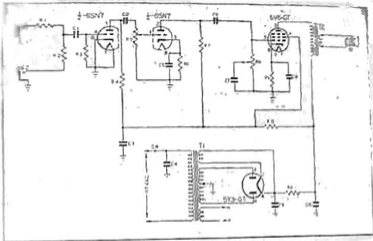


Lectrolab R300





LECTROLAB MODEL R300

R1, R2—100 K Ohm 1/2 Watt Resistors
 R3—10 Meg Ohm 1/2 Watt Resistor
 R4—470 K Ohm 1/2 Watt Resistor
 R5—400 K Ohm Volume Control
 R6—1000 Ohm 1/2 Watt Resistor
 R7—100 K Ohm 1/2 Watt Resistor
 R8—100 K Ohm Tone Control with Switch
 R9—2 Ohm 1/2 Watt Resistor

C1, C1A, C2—20-15-10 MFD 50V Film Cond.
 C3—01 MFD 200 Volt Paper Condenser
 C4—50 MFD 15 Volt Electrolytic Cond.
 C5—10 MFD 500 Volt Paper Condenser
 C7—01 MFD 400 Volt Paper Condenser
 C8—20 MFD 15 Volt Electrolytic Cond.

T1—Power Transformer
 T2—Output Transformer
 S1—8" Speaker 8 Ohm