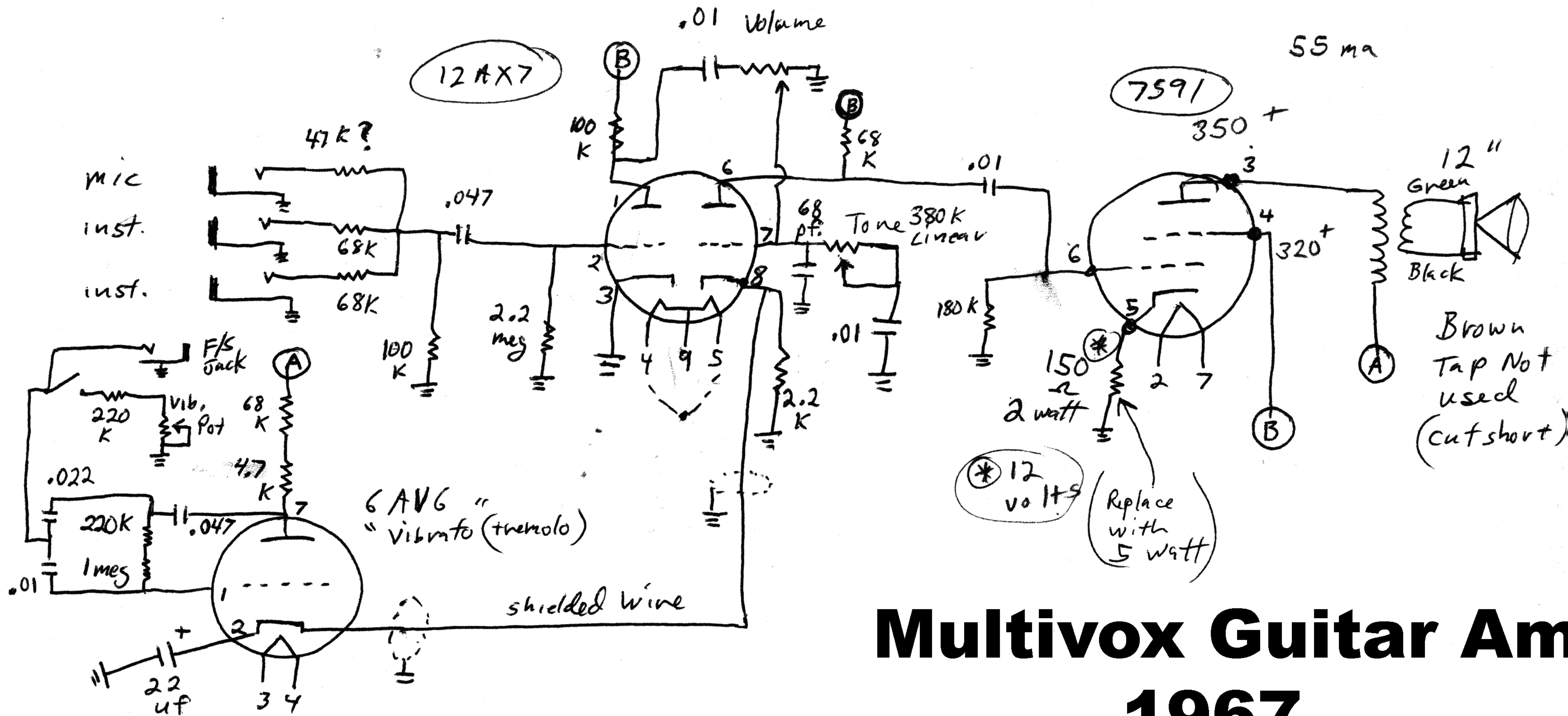
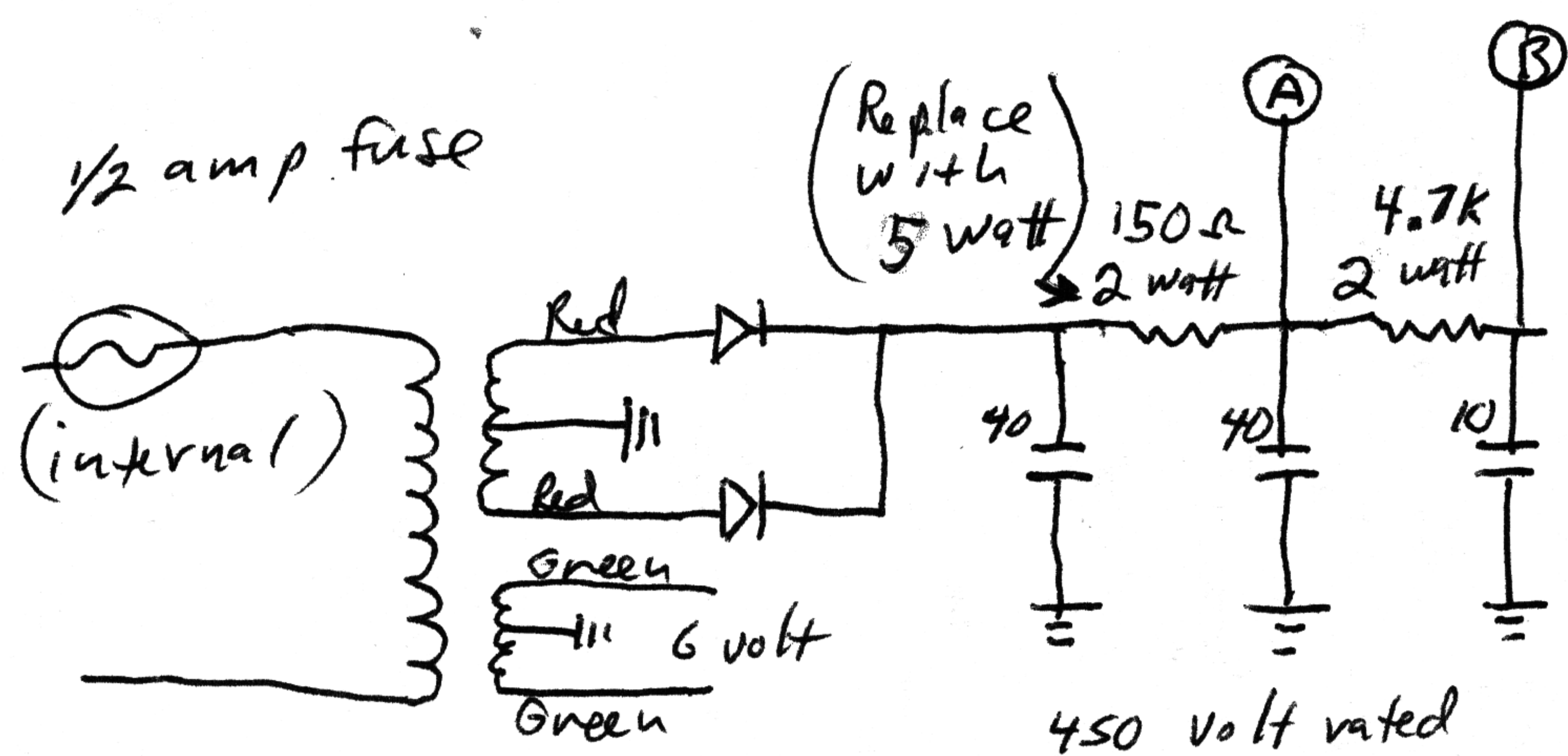


620K Audio



# Multivox Guitar Amp 1967



Original Coupling Caps probably only 400 volt, upgrade is suggested

Power Transformer  
1002-5  
10663  
239712  
(Merit Coil + Transformer)

Out Put Transformer  
71 A1  
1013-13  
1158712  
(Electro Mel Industries,  
WISCONSIN)

Drawn By  
C J Poulos  
12/05

SN # 4710

Gray Chassis  
Black Cab + Grille Cbth  
Tremolo

Notes: Coupling Caps previously replaced, values might not be stock

Mic Input messed with, 47K may not be correct

1st Stage Filter Resistor + 7591 Cathode resistor prone to overheat / drift

Copyright 2006 C.J. Poulos  
All Rights Reserved