

G250TR G250D (production May '74)
G200S G200C

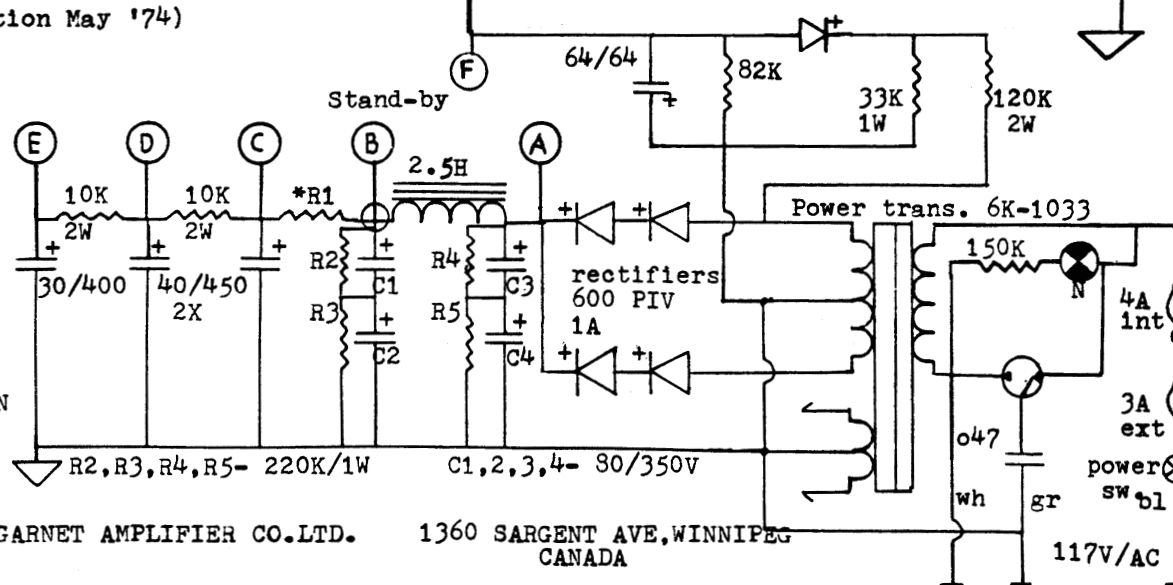
*R1-is 6K/10W
in G250TR and D

*R1-is 30K/2W
in G200S and C

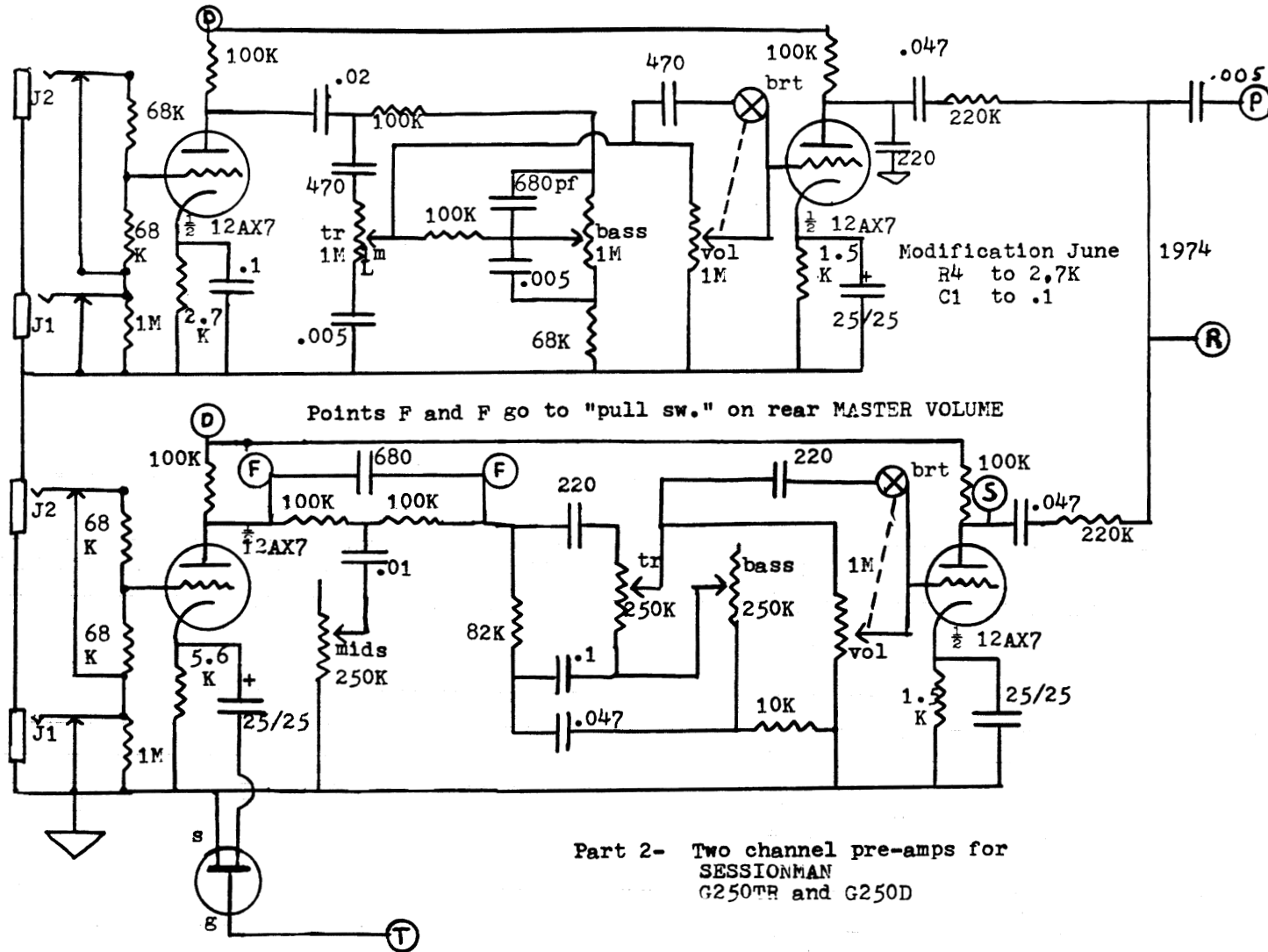
Filter network at "E"
is not used in G200S

Voltages

PRO 200S	SESSIONMAN
A) 520	520
B) 515	515
C) 400	390
D) 380	315
C)	290

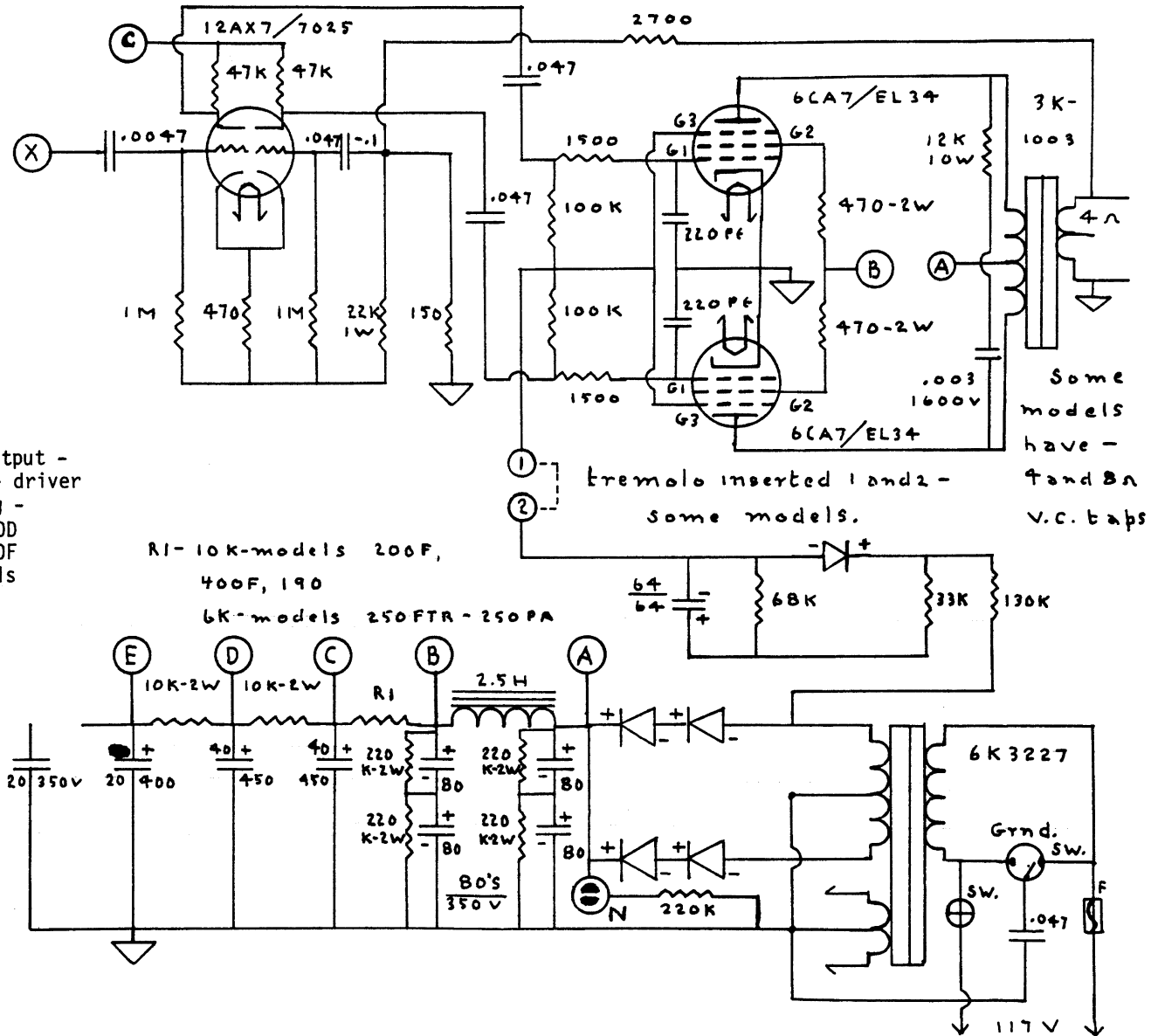


GARNET AMPLIFIER CO.LTD. 1360 SARGENT AVE, WINNIPEG CANADA



JUNE 1974

GARNET AMPLIFIER CO. LTD
1360 SARGENT AVE, WINNIPEG, CANADA



Power Supply - Output -
 phase - splitter - driver
 for following -
 G250TR - G250D
 250PA - LB200F
 all 190 models

R1- 10K-models 200F,
 400F, 190
 6K-models 250FTR - 250PA

tremolo inserted 1 and 2 -
 some models.

Some
 models
 have -
 4 and 0
 v.c. taps

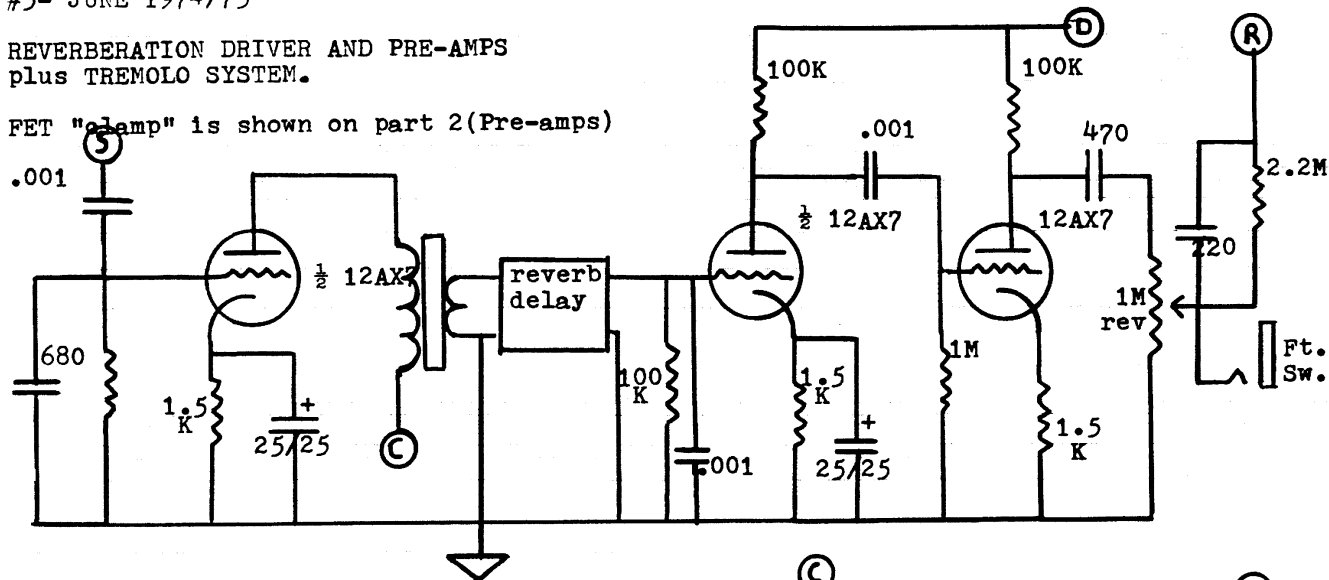
117V

GARNET AMPLIFIER CO.LTD
Winnipeg, Canada

#3- JUNE 1974/75

REVERBERATION DRIVER AND PRE-AMPS
plus TREMOLO SYSTEM.

FET "clamp" is shown on part 2 (Pre-amps)



SESSIONMAN

G250TR
G250D

