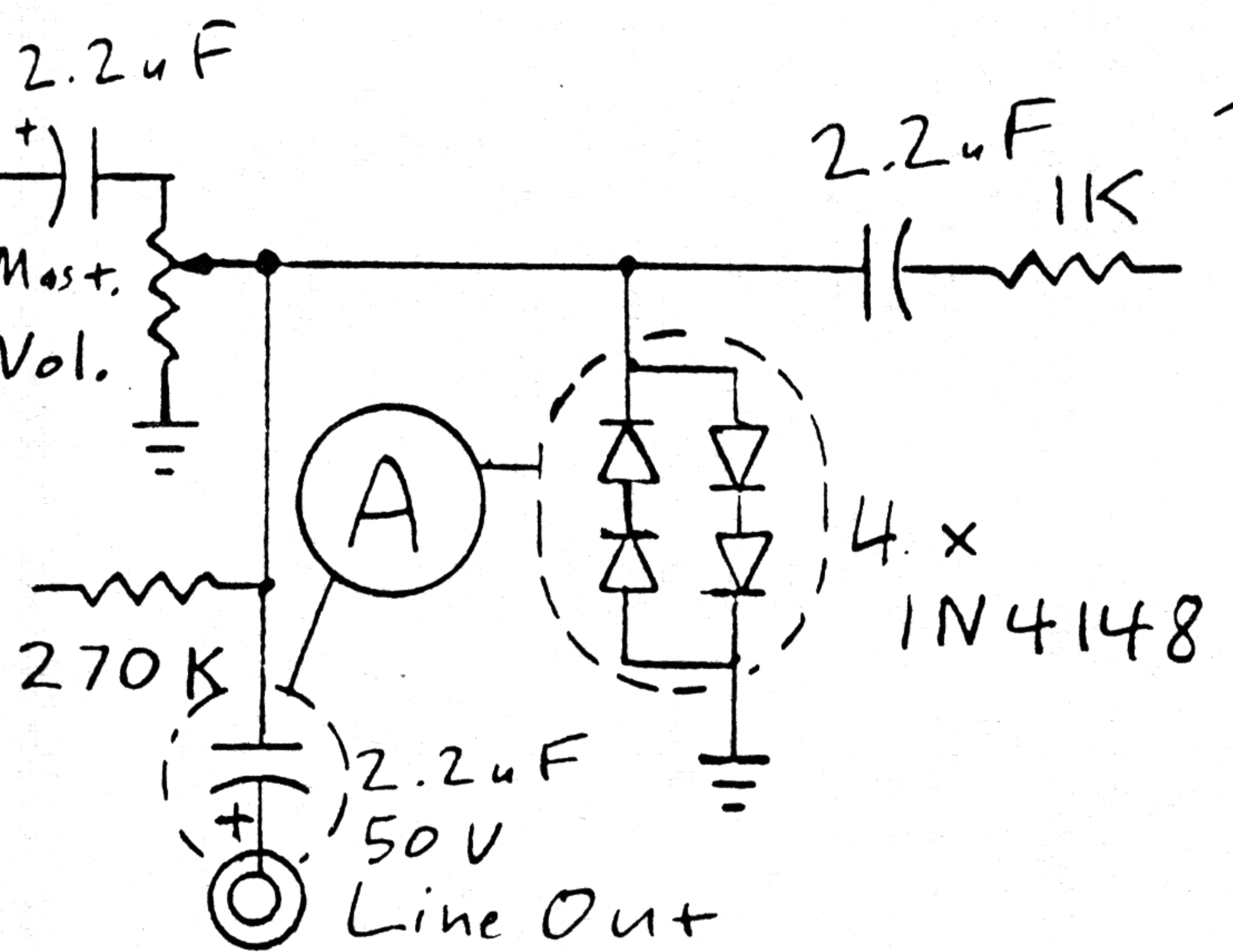
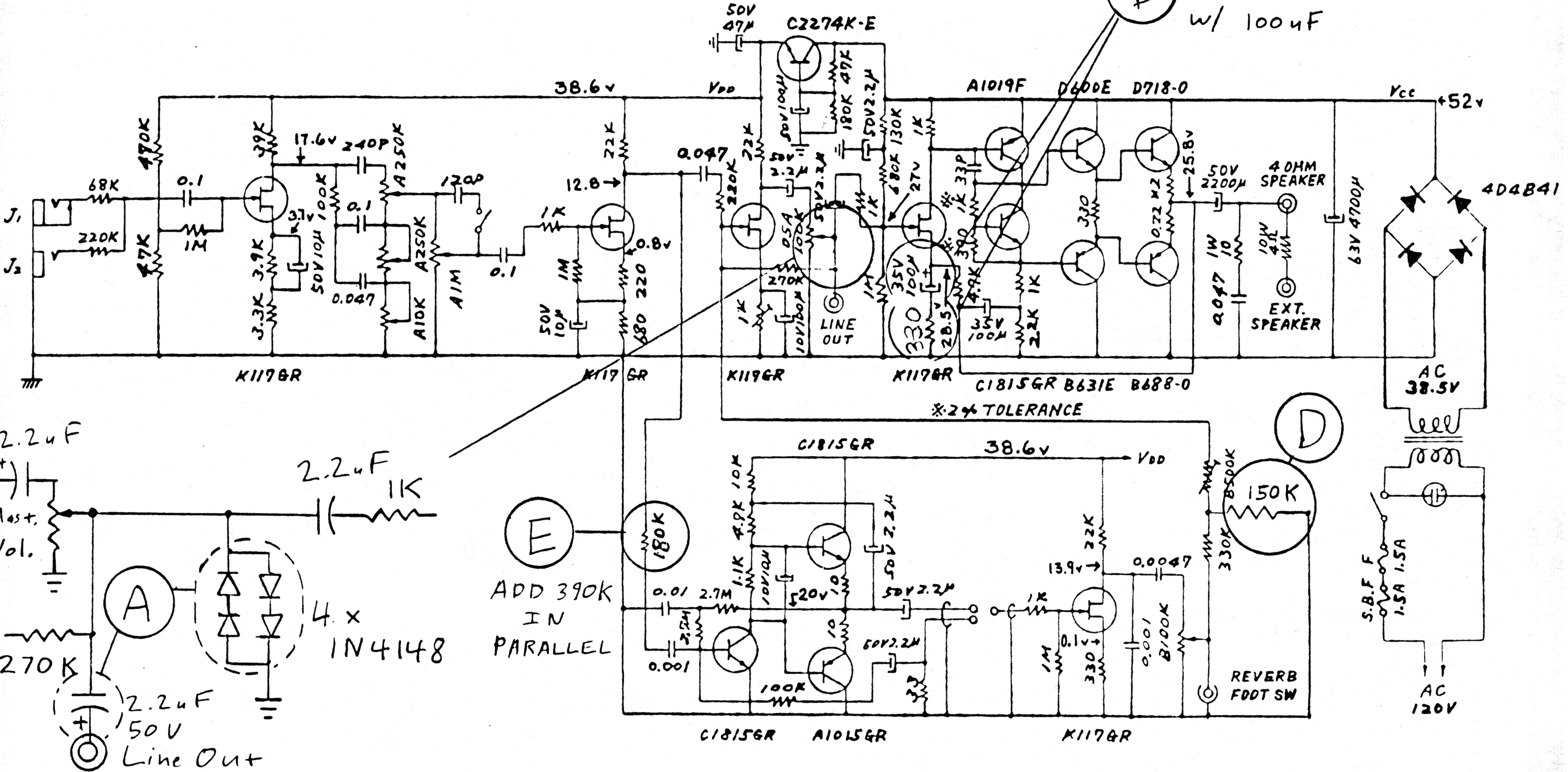


NOTE — THE "FET" DRAIN VOLTAGE WILL VARY $\pm 20\%$ AND STILL MAINTAIN PROPER OPERATING CONDITIONS OF GAIN AND LOW DISTORTION. ALL READINGS ARE +VDC UNLESS OTHERWISE SPECIFIED.

NOTE — ALL VOLTAGE READINGS TAKEN WITH BK 283 — 3 1/2 DIGIT MULTI-METER. A.C. LINE +120V. 60 HZ. ALL CONTROLS "0"

CHANGE $330\ \Omega$ + $120\ \Omega$ 1/2V.
ADD $47\ \mu\text{F}/50\ \text{V}$ IN PARALLEL w/ $100\ \mu\text{F}$



ADD 390K IN PARALLEL

Westbury
Model 550 Guitar Amplifier

Unicord.
a Division of Gulf + Western Manufacturing Company
89 Front Street, Westbury, NY 11590