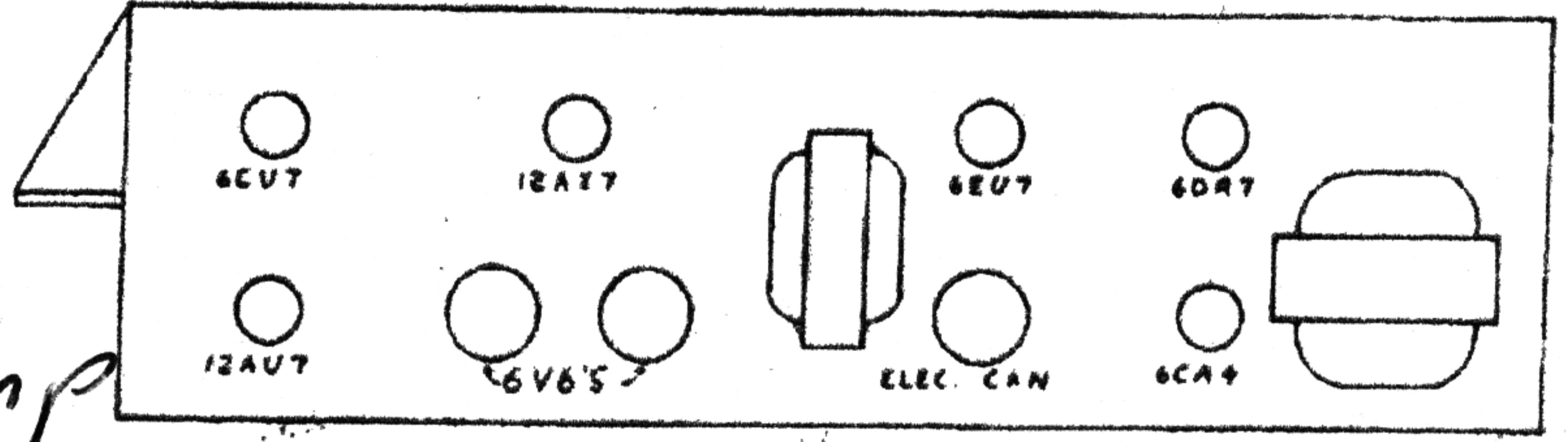


INSTRUMENT AMPLIFIER MODEL 440  
 117 VOLTS 60 CYCLES 100 WATTS  
 MANUFACTURED BY ESTEY ELECTRONIC INC.  
 TORRANCE, CALIFORNIA

# Estey/Magnatone 440

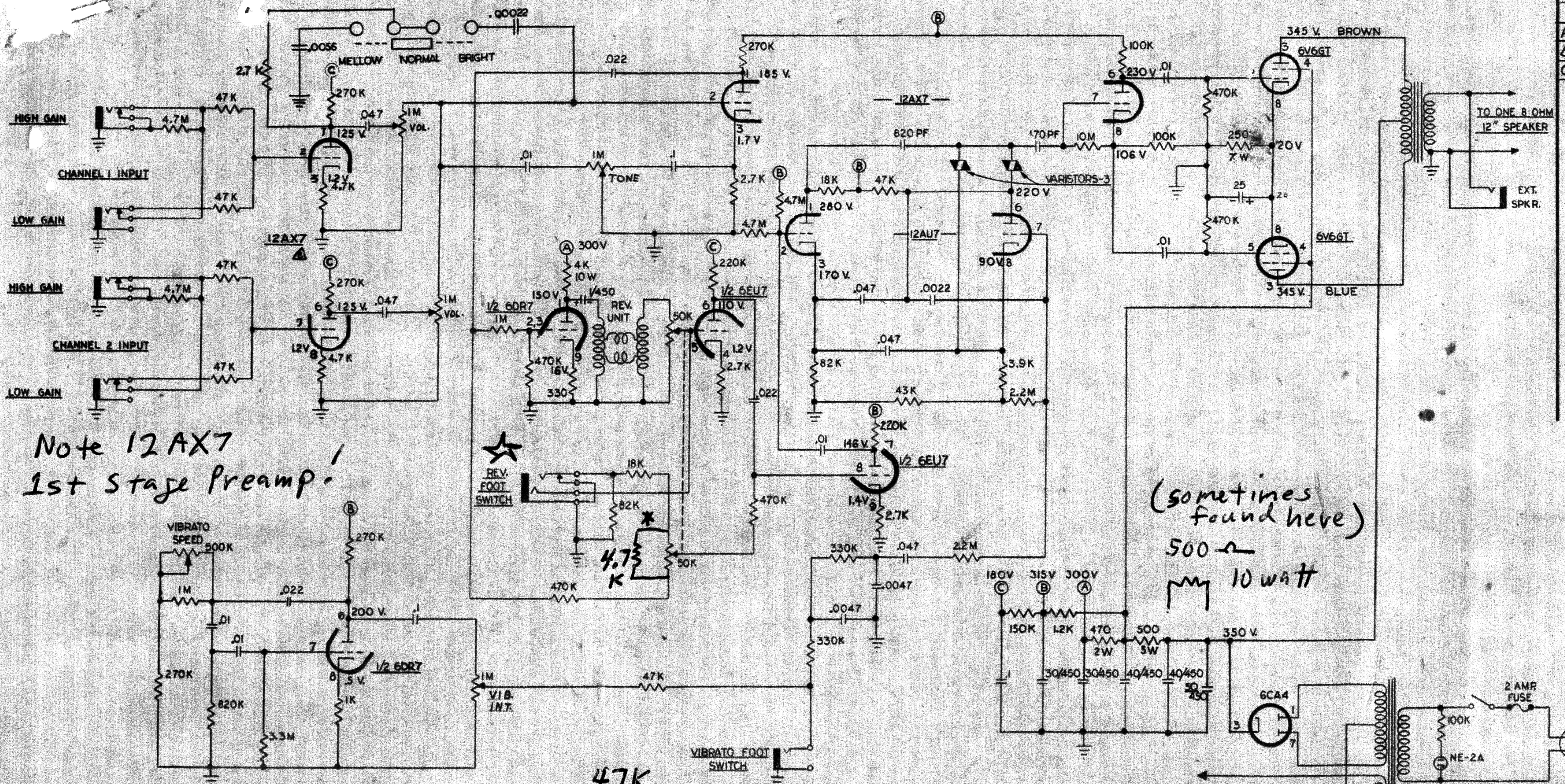
Earlier Version ??  
 with 6EU7 1st Stage Preamp



\* Differences when compared to Gulietti 440 schematic



★ Stereo-type 1/4" Jack; Ring is Reverb On/Off, Tip is "Boost" On/Off



Note 12AX7  
1st Stage Preamp!

(sometimes found here)  
500  $\Omega$   
10 watt

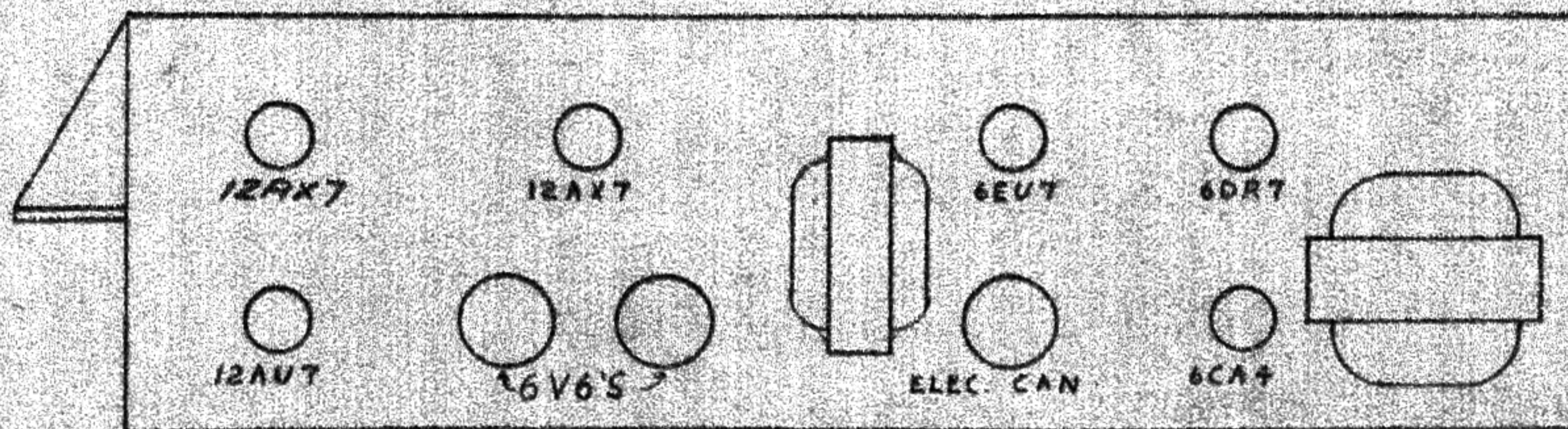
4.7K  
\* on rear section of Reverb Pot  
(sounds like crap, too much reverb, noisy)

increase value  
or remove!

INSTRUMENT AMPLIFIER MODEL 440  
117 VOLTS 60 CYCLES 100 WATTS  
MANUFACTURED BY ESTEY ELECTRONIC INC.  
TORRANCE, CALIFORNIA

**Magnatone 440**

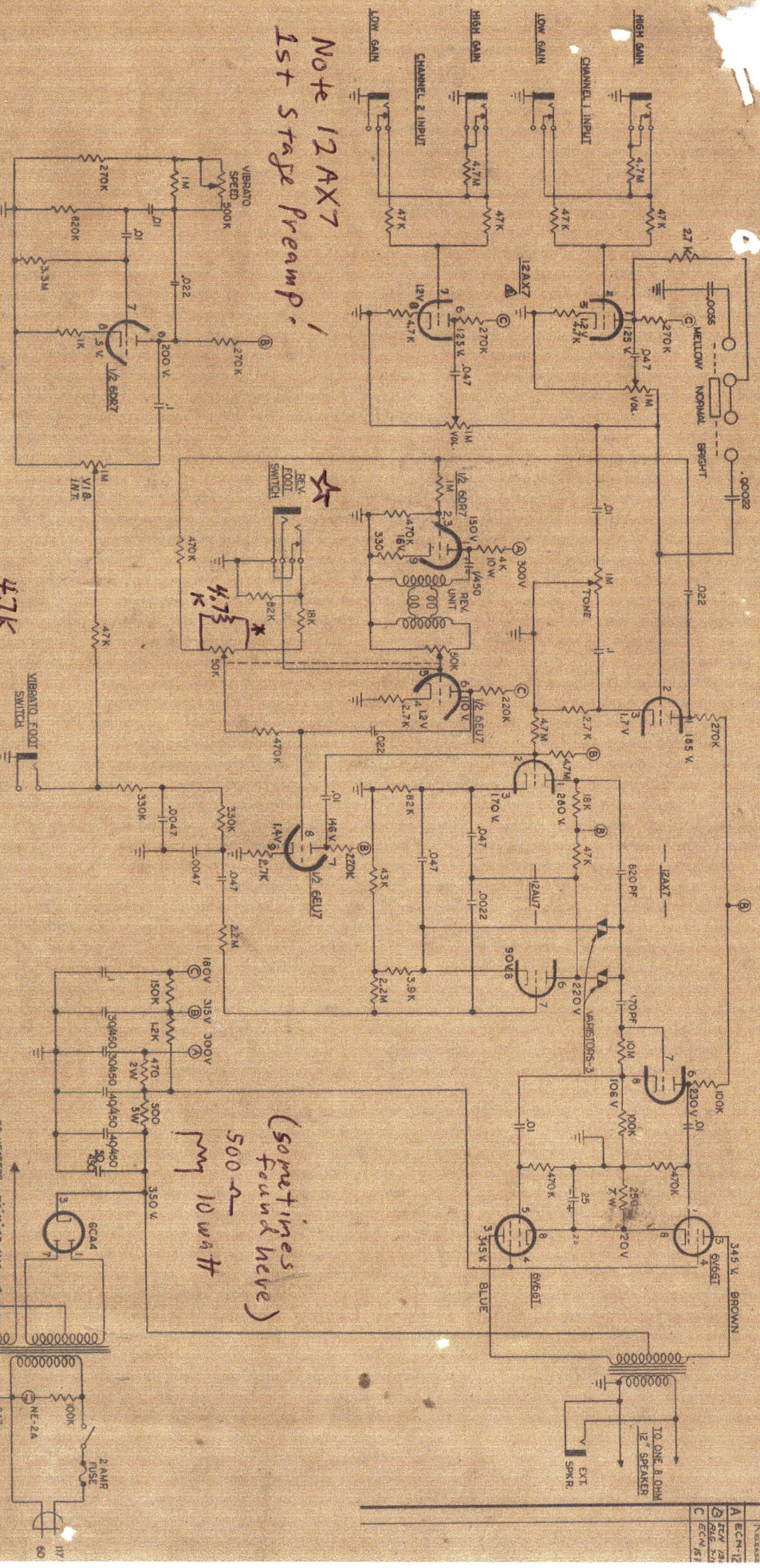
Gialetti 440  
Panaramic 440



DESIGN	DATE	MATERIALS	ESTEY ELECTRONICS
440	9-7-60	9-7-60	TORRANCE, CALIFORNIA
REV. <td>DATE <td>DESCRIPTION <td>PART NAME</td> </td></td>	DATE <td>DESCRIPTION <td>PART NAME</td> </td>	DESCRIPTION <td>PART NAME</td>	PART NAME
1		ORIGINAL	AMPLIFIER SCHEMATIC
2		REVISION	440
3		REVISION	
4		REVISION	
5		REVISION	
6		REVISION	
7		REVISION	
8		REVISION	
9		REVISION	
10		REVISION	



★ Stereo-type 1/4" Jack; Ring is Reverb On/Off, Tip is "Boost" On/Off



Note 12AX7 1st stage Preamp!

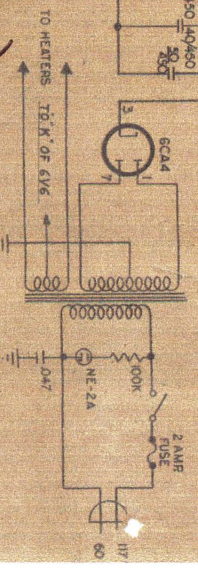
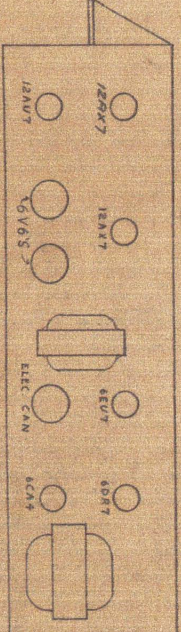
INSTRUMENT AMPLIFIER MODEL 440  
117 VOLTS 60 CYCLES 100 WATTS  
MANUFACTURED BY ESTEY ELECTRONIC, INC.  
TORRANCE, CALIFORNIA

Estey/Magnatone 440  
Giuletti 440  
Panaramic 440

\* on rear section of Reverb Pot  
(sounds like crap, too much reverb, noisy)

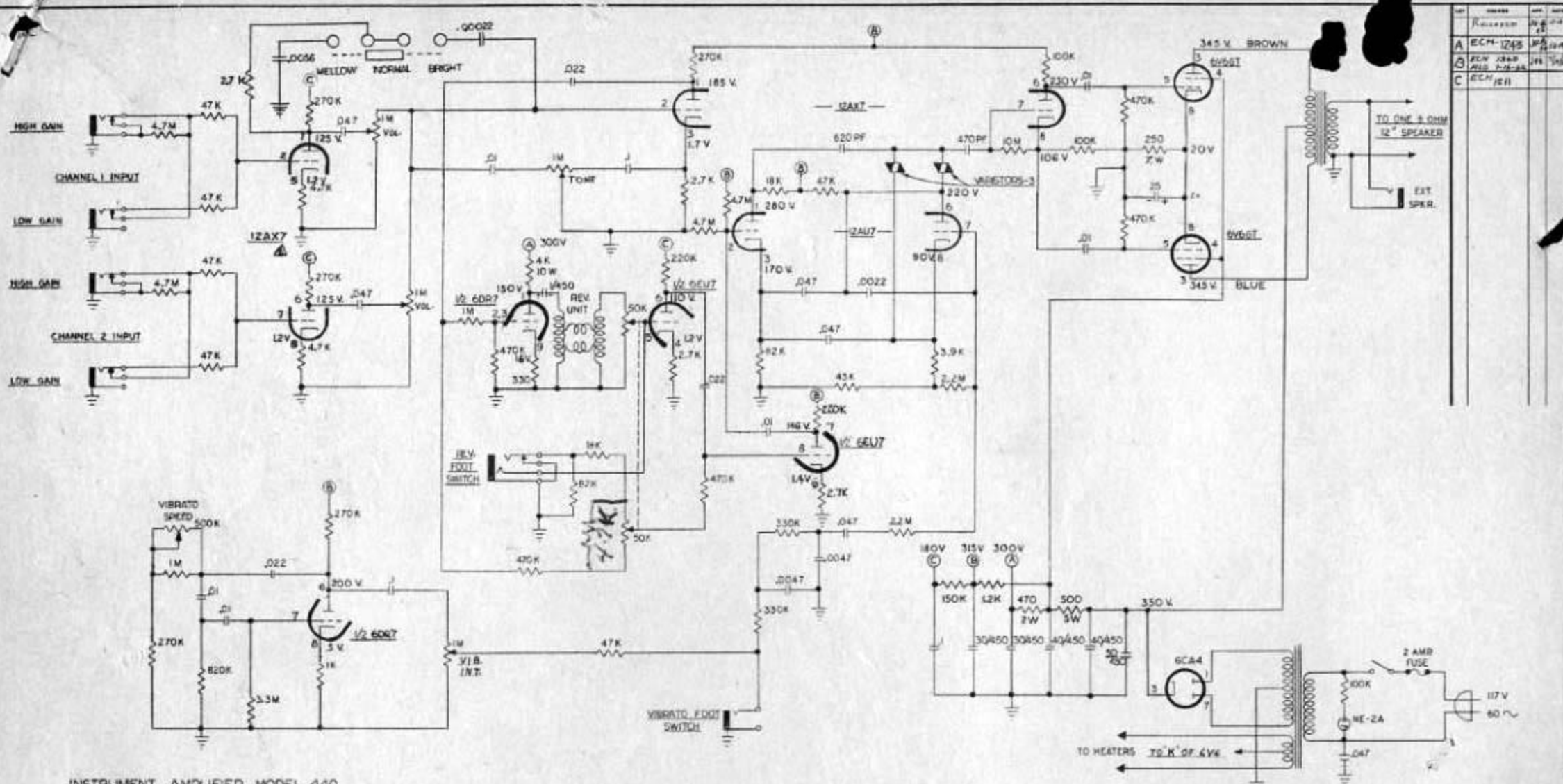
increase value! or remove!

(sometimes found here)  
500 Ω  
10 watt



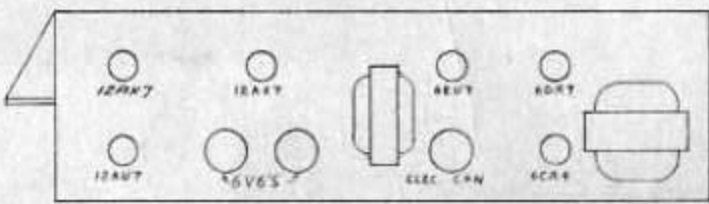
ESTEY ELECTRONICS TORRANCE, CALIFORNIA	MODEL	440	
	AMPLIFIER SCHEMATIC		
SHEET NO.	64	OF 64	
	DATE	1964	
REVISION	A	REVISION	
DATE	11/25/64	BY	ECN/MS
APPROVED		CHECKED	
DATE		BY	
DATE		BY	
DATE		BY	
DATE		BY	
DATE		BY	





REV.	DATE	BY	CHK.
1	11-15-54	J.E.	J.E.
A	ECM-1248	J.E.	J.E.
B	ECM-1248	J.E.	J.E.
C	ECM-1248	J.E.	J.E.

INSTRUMENT AMPLIFIER MODEL 440  
 117 VOLTS 60 CYCLES 100 WATTS  
 MANUFACTURED BY ESTEY ELECTRONIC INC.  
 TORRANCE, CALIFORNIA



MODEL	440	DESCRIPTION	AMPLIFIER SCHEMATIC
DATE	11-15-54	BY	J.E.
CHK.	J.E.	REV.	1
MANUFACTURED BY	ESTEY ELECTRONIC INC.	TORRANCE, CALIFORNIA	
DATE	11-15-54	BY	J.E.
CHK.	J.E.	REV.	1
MANUFACTURED BY	ESTEY ELECTRONIC INC.	TORRANCE, CALIFORNIA	
DATE	11-15-54	BY	J.E.
CHK.	J.E.	REV.	1
MANUFACTURED BY	ESTEY ELECTRONIC INC.	TORRANCE, CALIFORNIA	

E104-99



