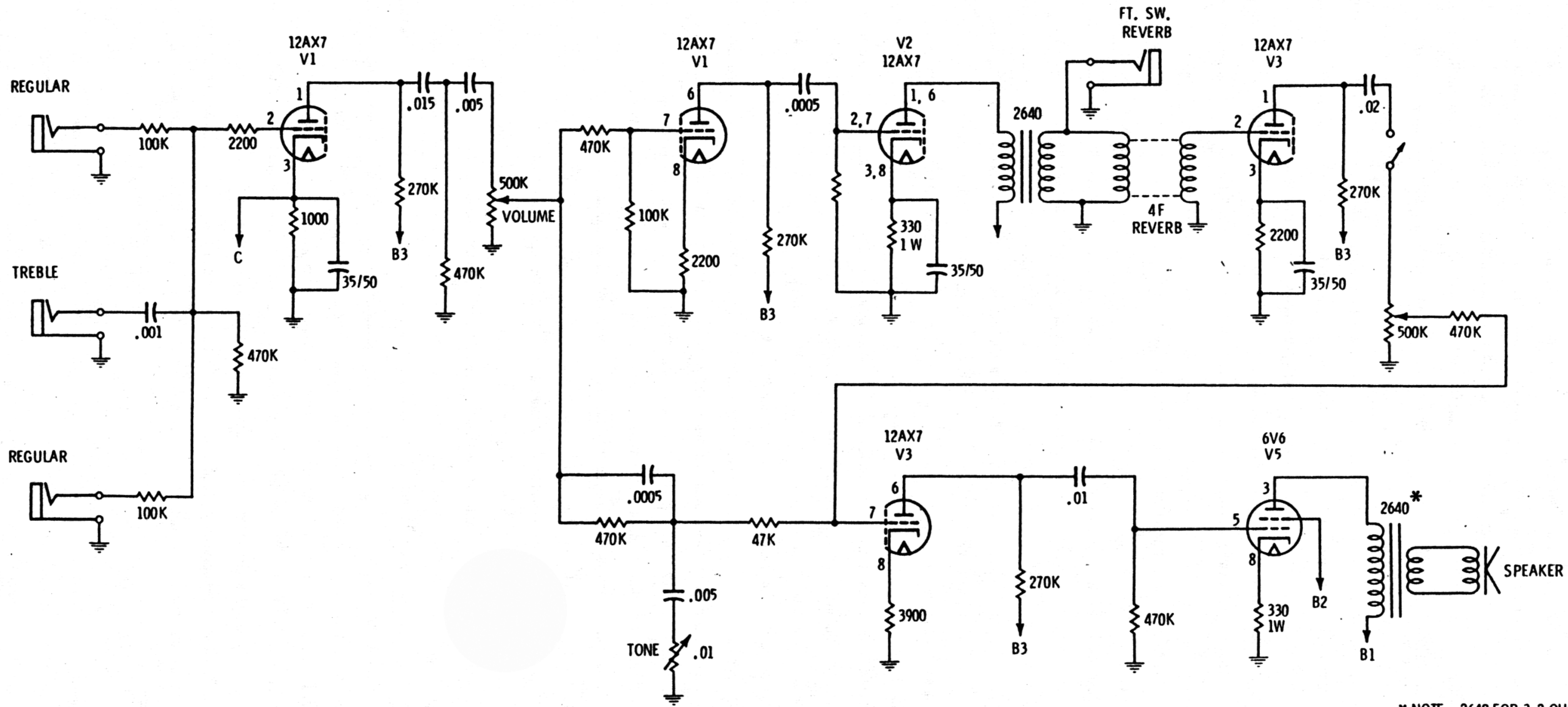


Valco Model 22



* NOTE: 2640 FOR 3.2 OHM SPKR.
VAC 109 FOR 8 OHM SPKR.

