

VOLTAGE READINGS

Item	Tube	Pin 1	Pin 2	Pin 3	Pin 4	Pin 5	Pin 6	Pin 7	Pin 8
V 1	6SJ7	0V.	#3.2VAC	0V.	0V.	1.3VDC	36VDC	#3.2VAC	50VDC
V 2	6V6GT	0V.	#3.2VAC	290VDC	320VDC	0V.	310VDC	#3.2VAC	18VDC
V 3	5Y3GT	0V.	370VDC	0V.	320VAC	0V.	320VAC	0V.	370VDC

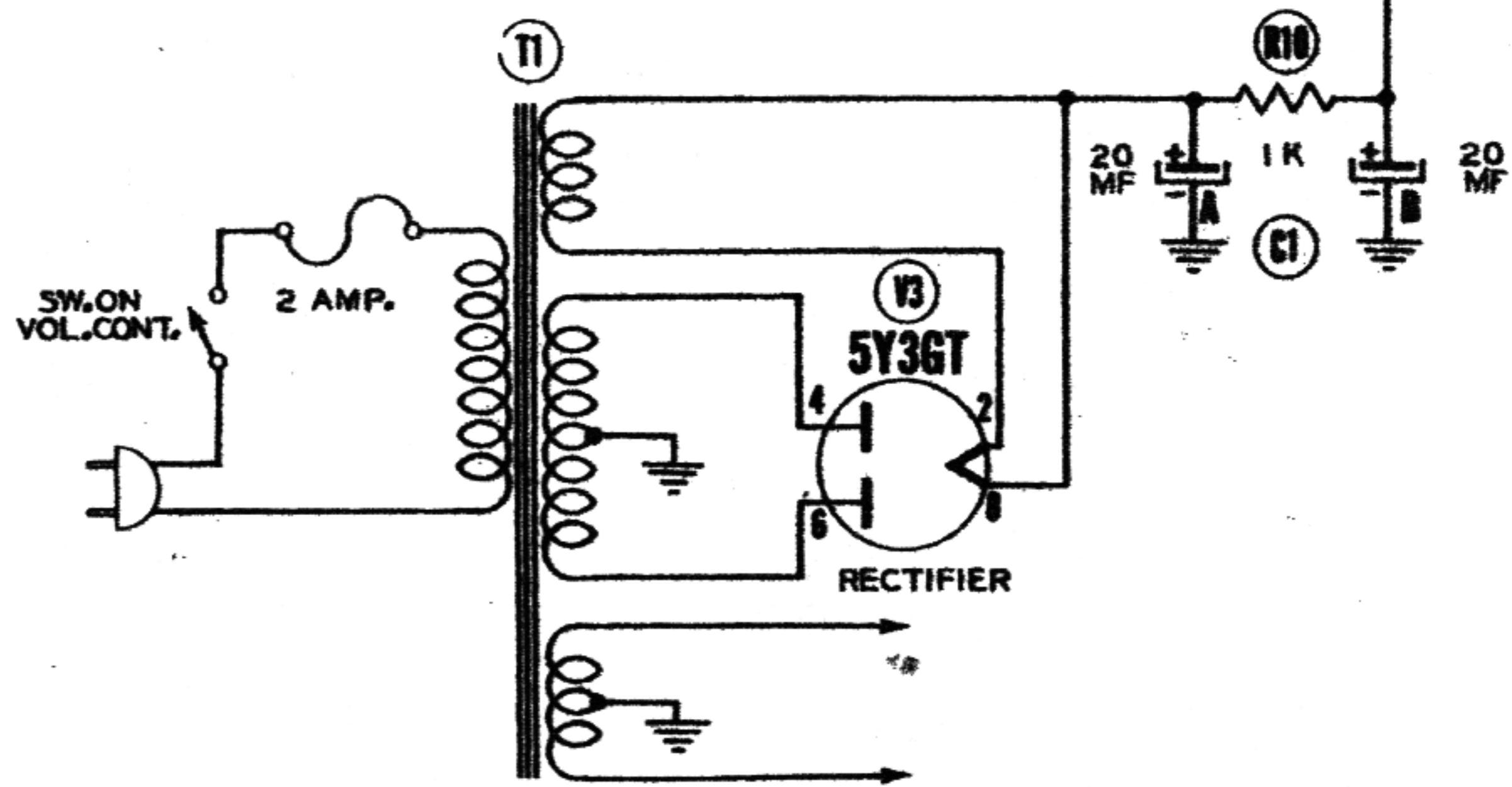
6.3VAC MEASURED ACROSS FILAMENTS.

RESISTANCE READINGS

Item	Tube	Pin 1	Pin 2	Pin 3	Pin 4	Pin 5	Pin 6	Pin 7	Pin 8
V 1	6SJ7	0Ω	.1Ω	0Ω	470KΩ	1000Ω	† 1 Meg.	.1Ω	† 270KΩ
V 2	6V6GT	0Ω	.1Ω	† 1.6KΩ	† 1000Ω	500KΩ	† 1.4KΩ	.1Ω	390Ω
V 3	5Y3GT	Inf.	200KΩ	Inf.	420Ω	Inf.	410Ω	Inf.	200KΩ

† MEASURED FROM PIN 8 OF V3.

THE COOPERATION OF THE MANUFACTURER OF THIS EQUIPMENT MAKES IT POSSIBLE TO BRING YOU THIS SERVICE



A PHOTOFAC STANDARD NOTATION SCHEMATIC

© Howard W. Sams & Co., Inc. 1950



1301 (Ch. 319. 190)



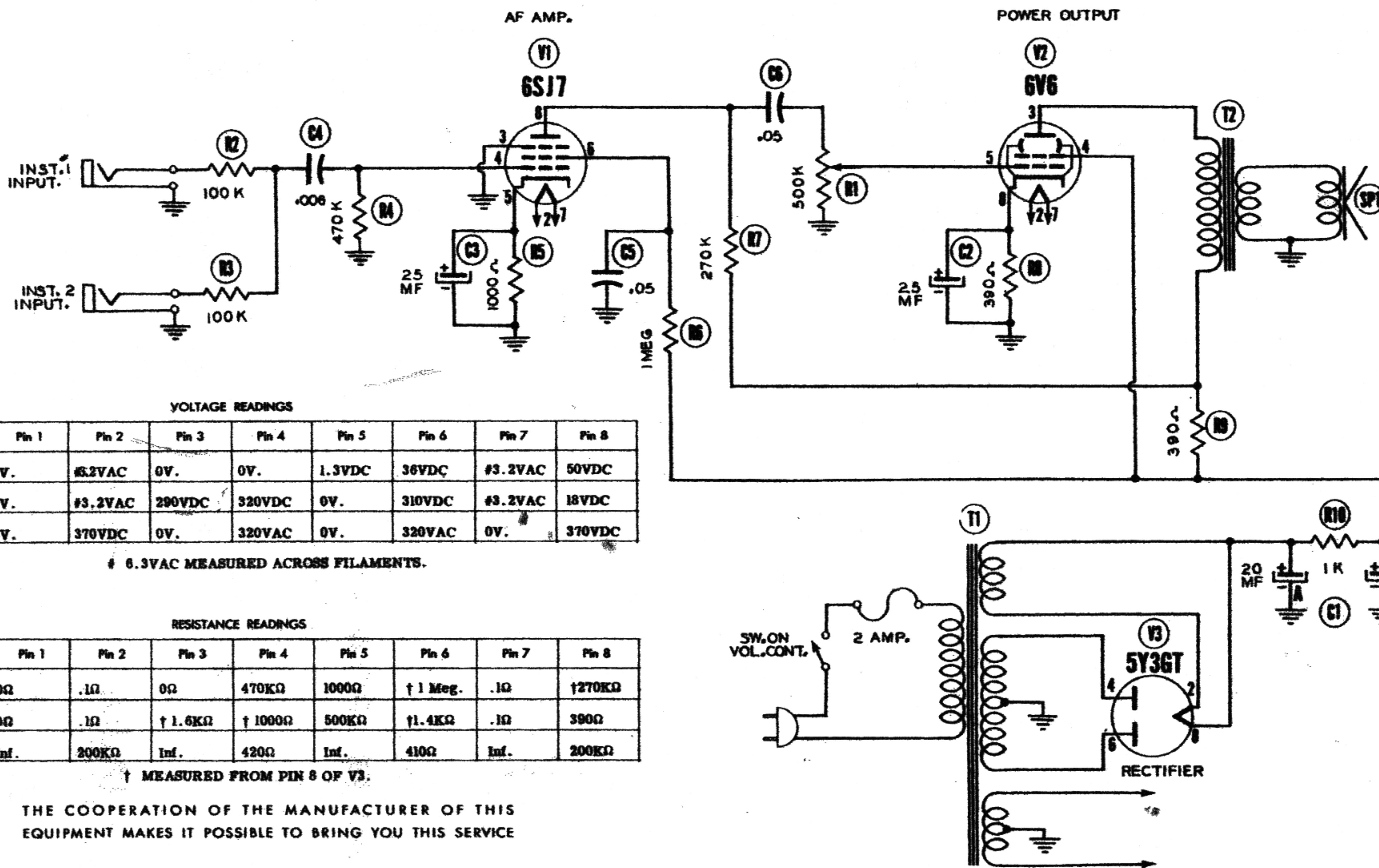
VOLUME CONTROL ON-OFF SWITCH

SILVERTONE MODEL 1301

TRADE NAME Silvertone, Model 1301 (Ch. 319. 190)
 SUPPLIER Sears, Roebuck and Co., 925 S. Homan St., Chicago, Illinois
 TYPE SET AC Operated Musical Instrument Amplifier
 TUBES (THREE) Types 6SJ7 AF Amp., 6V6GT Power Output, 5Y3GT Rectifier

POWER SUPPLY 110-120 Volts AC

RATING .40 Amp. at 117 Volts AC



VOLTAGE READINGS

Item	Tube	Pin 1	Pin 2	Pin 3	Pin 4	Pin 5	Pin 6	Pin 7	Pin 8
V 1	6SJ7	0V.	65.2VAC	0V.	0V.	1.3VDC	36VDC	63.2VAC	50VDC
V 2	6V6GT	0V.	65.2VAC	290VDC	320VDC	0V.	310VDC	63.2VAC	18VDC
V 3	5Y3GT	0V.	370VDC	0V.	320VAC	0V.	320VAC	0V.	370VDC

† 6.3VAC MEASURED ACROSS FILAMENTS.

RESISTANCE READINGS

Item	Tube	Pin 1	Pin 2	Pin 3	Pin 4	Pin 5	Pin 6	Pin 7	Pin 8
V 1	6SJ7	0Ω	.1Ω	0Ω	470KΩ	1000Ω	† 1 Meg.	.1Ω	1270KΩ
V 2	6V6GT	0Ω	.1Ω	† 1.6KΩ	† 1000Ω	500KΩ	† 1.4KΩ	.1Ω	390Ω
V 3	5Y3GT	Inf.	200KΩ	Inf.	420Ω	Inf.	410Ω	Inf.	200KΩ

† MEASURED FROM PIN 8 OF V3.

THE COOPERATION OF THE MANUFACTURER OF THIS EQUIPMENT MAKES IT POSSIBLE TO BRING YOU THIS SERVICE

A PHOTOFACT STANDARD NOTATION SCHEMATIC
 © Howard W. Sams & Co., Inc. 1950

91-11

SILVERTONE MODEL 1301 (Ch. 319. 190)

1. DC Voltage measurements are at 20,000 ohms per volt; AC Voltages measured at 1000 ohms per volt.
2. Socket connections are shown as bottom views.
3. Measured values are from socket pin to common negative.
4. Line voltage maintained at 117 volts for voltage readings.
5. Nominal tolerance on component values makes possible a variation of ± 15% in voltage and resistance readings.
6. Volume control at minimum, no signal applied for voltage measurements.

See also:
 Air castle 79 A
 Dickerson Lap Steel Amp

HOWARD W. SAMs & CO., INC. • Indianapolis 1, Indiana

"The listing of any available replacement part herein does not constitute in any case a recommendation, warranty or guaranty by Howard W. Sams & Co., Inc., as to the quality and suitability of such replacement part. The numbers of these parts have been compiled from information furnished to Howard W. Sams & Co., Inc., by the manufacturers of the particular type of replacement part listed."
 "Reproduction or use, without express permission, of editorial or pictorial con-

tent, in any manner, is prohibited. No patent liability is assumed with respect to the use of the information contained herein. Copyright 1950 by Howard W. Sams & Co., Inc., Indianapolis 1, Indiana, U. S. of America. Copyright under International Copyright Union. All rights reserved under Inter-American Copyright Union (1910) by Howard W. Sams & Co., Inc." Printed in U. S. of America

(Both Similar)

DATE 4-50

OPT 01

FOUNDER 11