

- NOTES**
- 1) CAUTION: SHOCK HAZARD!! THIS UNIT CONTAINS HAZARDOUS VOLTAGE. DISCONNECT POWER AND BE SURE POWER SUPPLY IS DISCHARGED BEFORE TOUCHING INTERNAL PARTS.
 - 2) UNLESS NOTED, RESISTOR VALUES IN OHMS, 1/4W-5% TOL. CAPACITOR VALUES IN MICROFARADS, 50V-10% TOL.
 - 3) VOLTAGES ARE MEASURED WITH 1 MEGOHM OSCILLOSCOPE AND 10 MEGOHM DIGITAL VOLTMETER.
 - 4) CHASSIS GROUND ∇ SIGNAL GROUND ∇ CIRCUIT GROUND ∇
 - 5) DC VOLTAGES AND RIPPLE MEASURED WITH NO SIGNAL APPLIED.
 - 6) TP CONDITIONS: GAIN @ 9 O'CLOCK, VOL & MASTER @10, TONES @ 5.
 - 7) RELAYS SHOWN IN NON-ENERGIZED "N/C" MODE = DIRTY CHANNEL.
 - 8) 3A IN-RUSH LIMITER USED ON 100V, 230V, 240V VERSIONS ONLY.

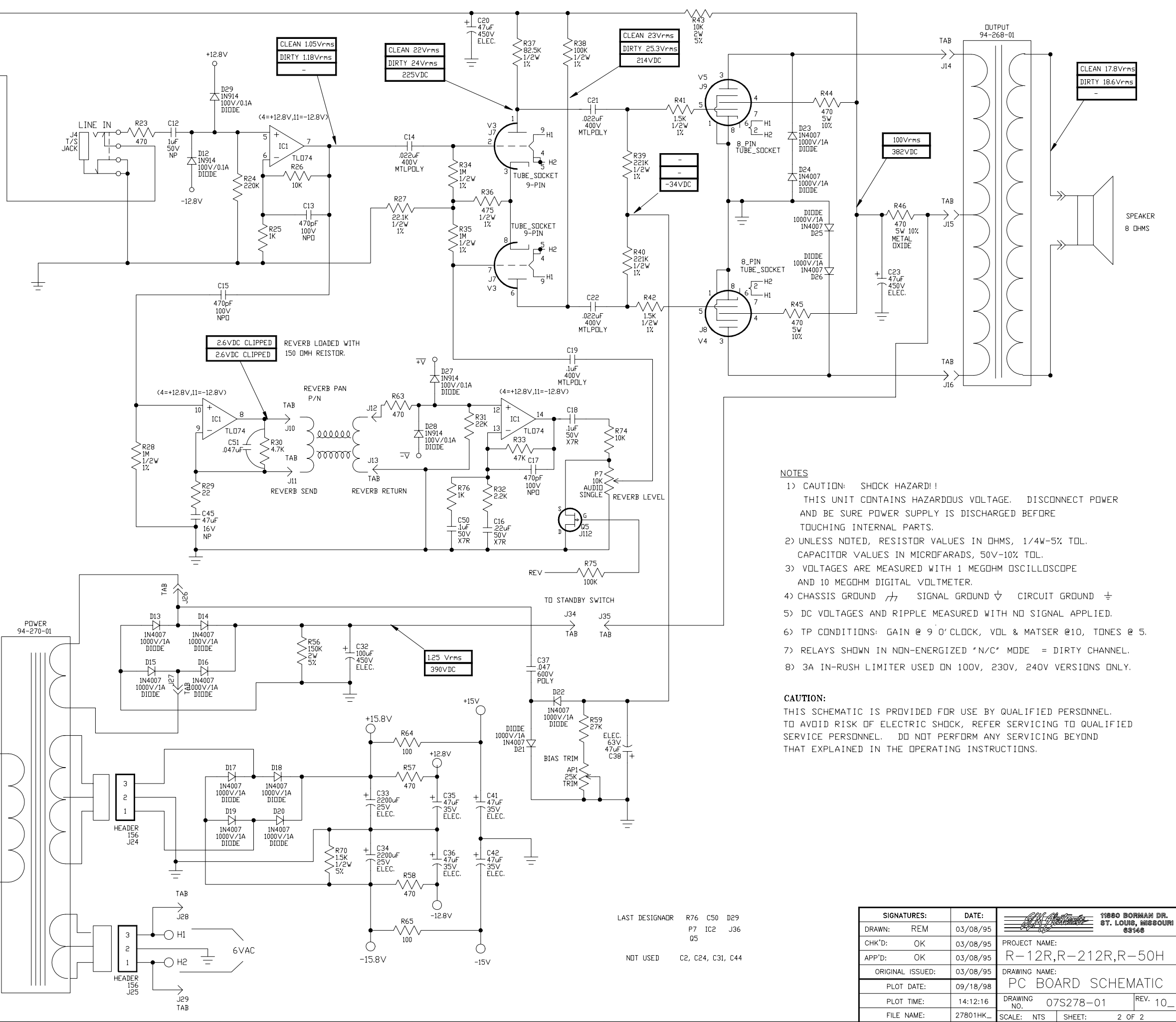
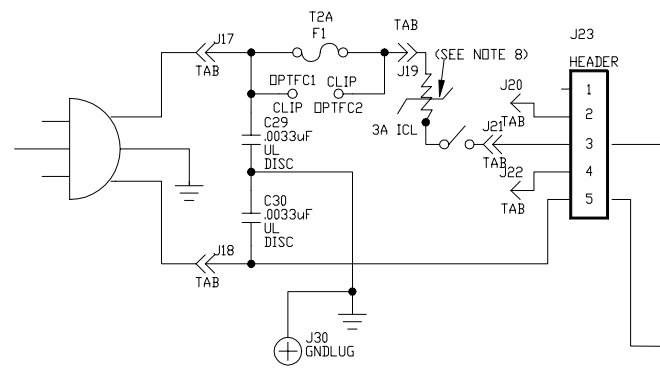
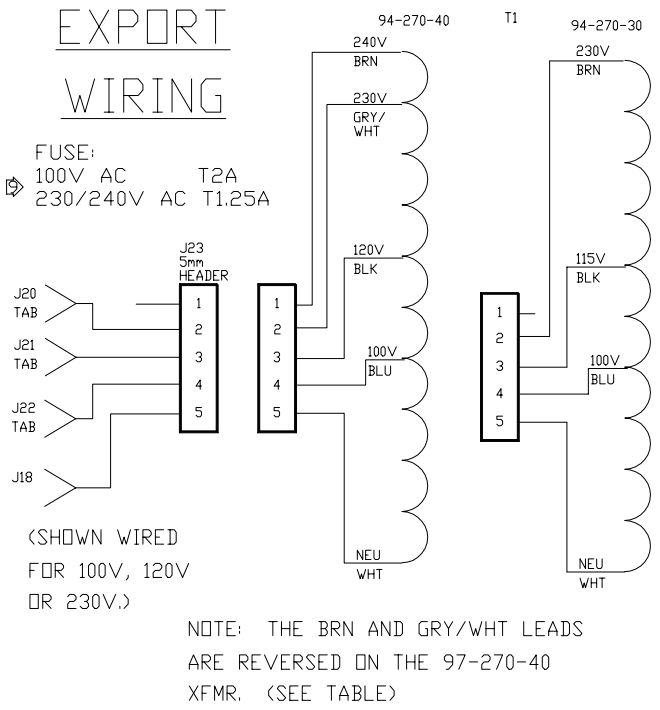
CAUTION:
 THIS SCHEMATIC IS PROVIDED FOR USE BY QUALIFIED PERSONNEL. TO AVOID RISK OF ELECTRIC SHOCK, REFER SERVICING TO QUALIFIED SERVICE PERSONNEL. DO NOT PERFORM ANY SERVICING BEYOND THAT EXPLAINED IN THE OPERATING INSTRUCTIONS.

12			
11			
10	07/13/98	WFB	CHG'D REV LEVEL TO MATCH PICTORIAL AS PER E980021
9	01/21/98	MAG	ADDED NOTE 8 & 3A ICL PREP, CHG'D FUSES PER ECO 970858.
8	11/14/97	DLS	CHANGED EXPORT WIRING DETAIL PER E970778
7	08/15/97	MAG	ADDED EXPORT WIRING AND T1 TRANSFORMER WIRING TABLE PER ECO 970457.
6	06/25/97	MAG	ADDED 10A437-11 PER ECO 970281.
5	5/12/97	REM	ADDED JW52 TO PCB PER E970040.
4	2/13/97	REM	R46 TO METAL OXIDE RES PER E960276.
3	1/06/97	MAG	FUSECLIPS TO -02 PER E960582.
2	10/6/95	REM	CHG'D J10 TO .250" TAB PER E950049.
1	6/23/95	REM	R59 FROM 39K TO 27K PER E950142.
REV	DATE	BY	CHK'D DESCRIPTION
SIGNATURES:		DATE:	
DRAWN:	REM	03/08/95	
CHK'D:	OK	03/08/95	
APP'D:	OK	03/08/95	
ORIGINAL ISSUED:	03/08/95	DRAWING NAME:	
PLOT DATE:	09/18/98	PC BOARD SCHEMATIC	
PLOT TIME:	14:12:16	DRAWING NO.	07S278-01
FILE NAME:	27801HK_	SCALE:	NTS SHEET: 1 OF 2

1180 BORMAN DR.
 ST. LOUIS, MISSOURI
 63148

T1 TRANSFORMER WIRING TABLE

94-270-30		94-270-40 (230V)		97-270-40 (240V)	
LEAD COLOR	J23 PIN #	LEAD COLOR	J23 PIN #	LEAD COLOR	J23 PIN #
BLANK	1	BRN	1	GRY/WHT	1
KEY		KEY		KEY	
BRN	2	GRY/WHT	2	BRN	2
BLK	3	BLK	3	BLK	3
BLU	4	BLU	4	BLU	4
WHT	5	WHT	5	WHT	5



- NOTES
- 1) CAUTION: SHOCK HAZARD!
THIS UNIT CONTAINS HAZARDOUS VOLTAGE. DISCONNECT POWER AND BE SURE POWER SUPPLY IS DISCHARGED BEFORE TOUCHING INTERNAL PARTS.
 - 2) UNLESS NOTED, RESISTOR VALUES IN OHMS, 1/4W-5% TOL. CAPACITOR VALUES IN MICROFARADS, 50V-10% TOL.
 - 3) VOLTAGES ARE MEASURED WITH 1 MEGOHM OSCILLOSCOPE AND 10 MEGOHM DIGITAL VOLTMETER.
 - 4) CHASSIS GROUND \perp SIGNAL GROUND ∇ CIRCUIT GROUND \oplus
 - 5) DC VOLTAGES AND RIPPLE MEASURED WITH NO SIGNAL APPLIED.
 - 6) TP CONDITIONS: GAIN @ 9 O'CLOCK, VOL & MATSER @10, TONES @ 5.
 - 7) RELAYS SHOWN IN NON-ENERGIZED 'N/C' MODE = DIRTY CHANNEL.
 - 8) 3A IN-RUSH LIMITER USED ON 100V, 230V, 240V VERSIONS ONLY.

CAUTION:
THIS SCHEMATIC IS PROVIDED FOR USE BY QUALIFIED PERSONNEL. TO AVOID RISK OF ELECTRIC SHOCK, REFER SERVICING TO QUALIFIED SERVICE PERSONNEL. DO NOT PERFORM ANY SERVICING BEYOND THAT EXPLAINED IN THE OPERATING INSTRUCTIONS.

LAST DESIGNADR R76 C50 D29
P7 IC2 J36
Q5
NOT USED C2, C24, C31, C44

SIGNATURES:	DATE:	
DRAWN: REM	03/08/95	
CHK'D: OK	03/08/95	PROJECT NAME:
APP'D: OK	03/08/95	R-12R,R-212R,R-50H
ORIGINAL ISSUED:	03/08/95	DRAWING NAME:
PLOT DATE:	09/18/98	PC BOARD SCHEMATIC
PLOT TIME:	14:12:16	DRAWING NO. 07S278-01
FILE NAME:	27801HK_	REV. 10_
SCALE: NTS	SHEET: 2 OF 2	